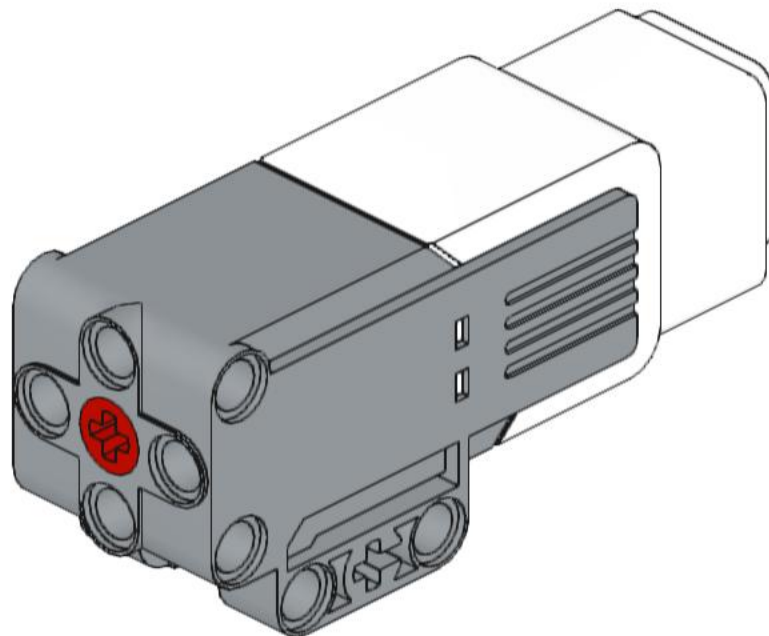
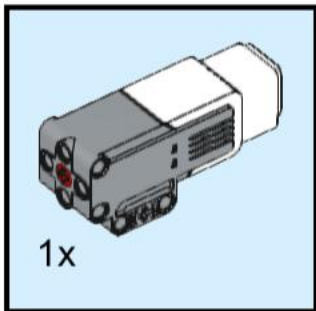
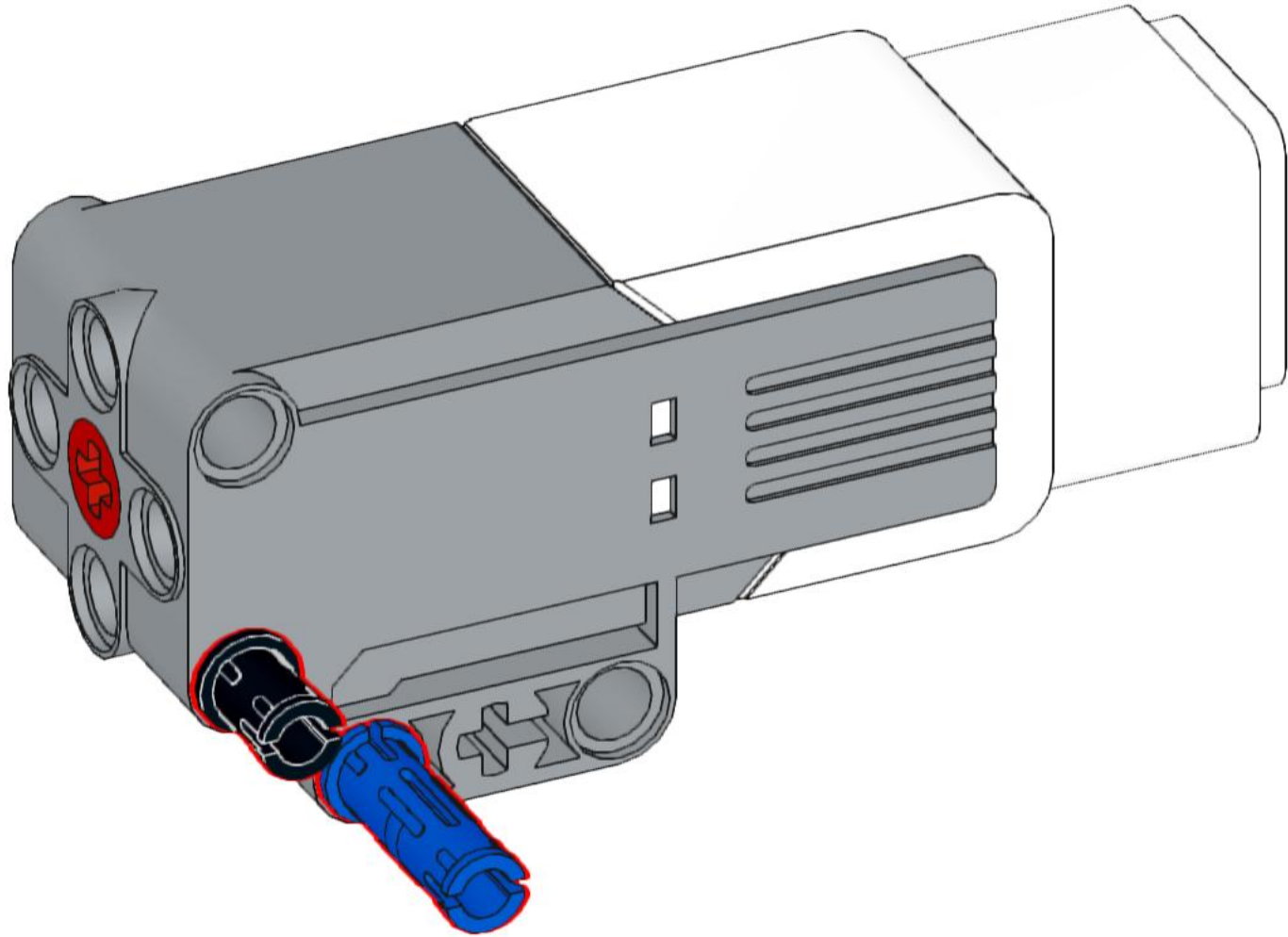
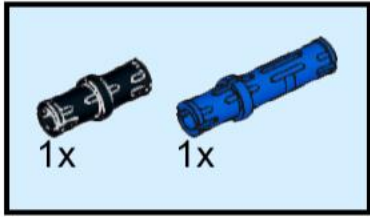


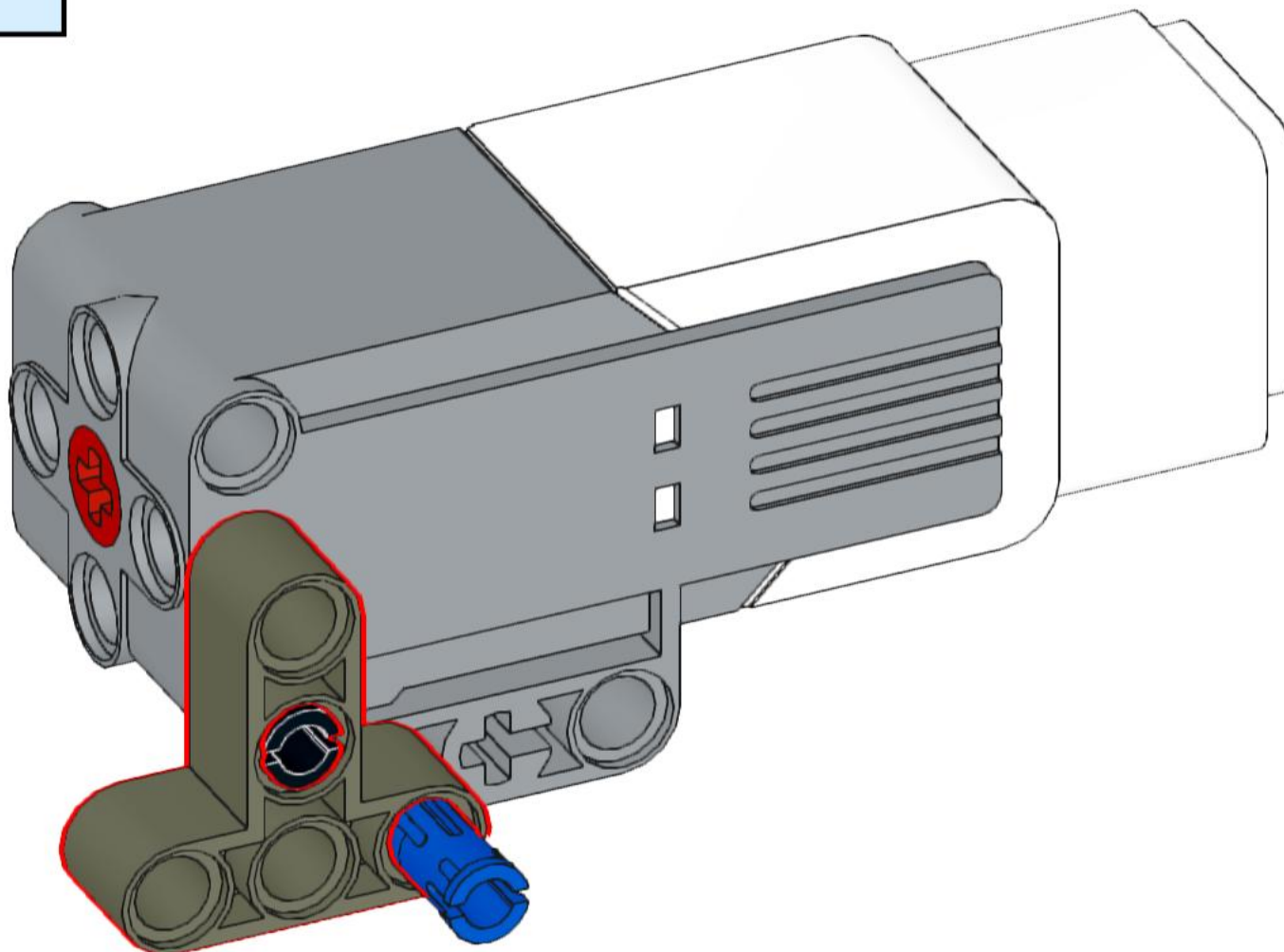
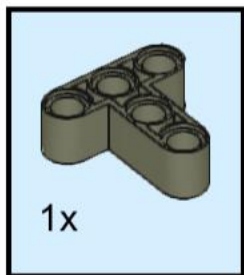
1



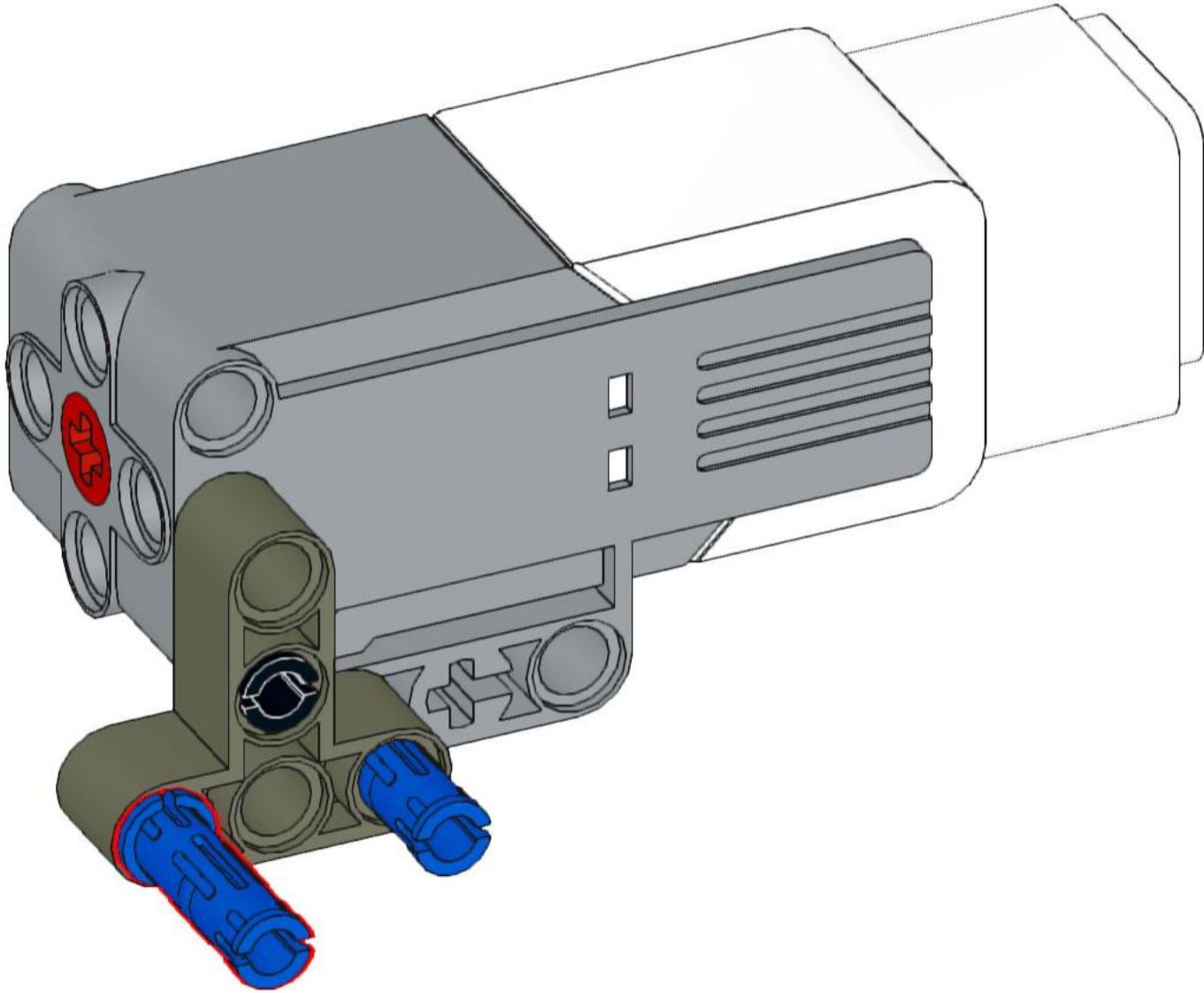
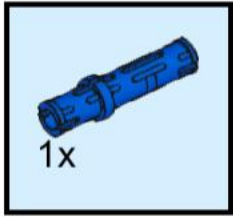
2



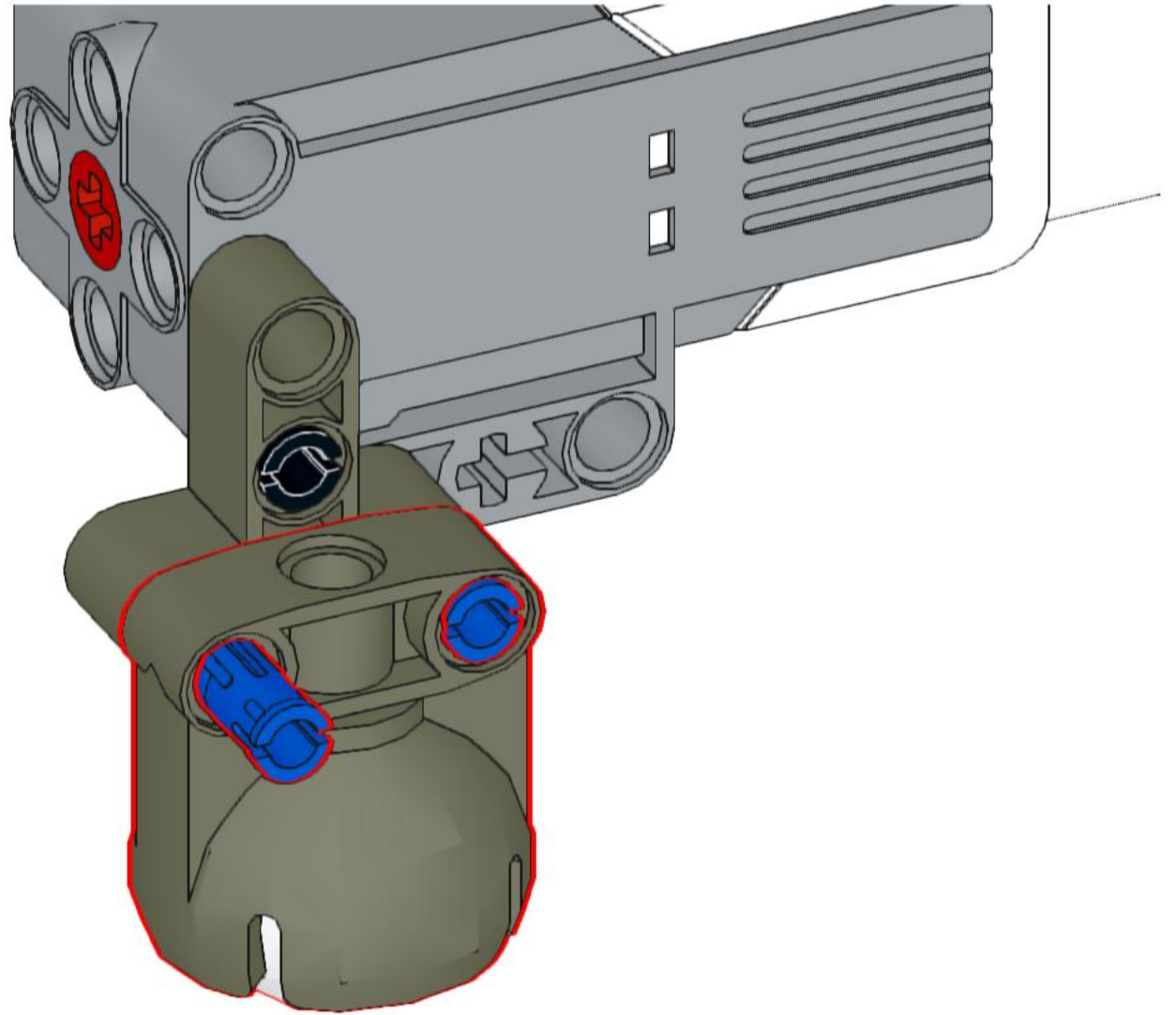
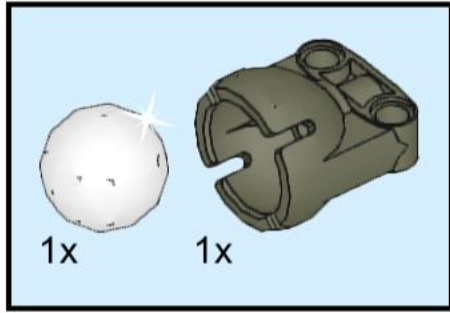
3



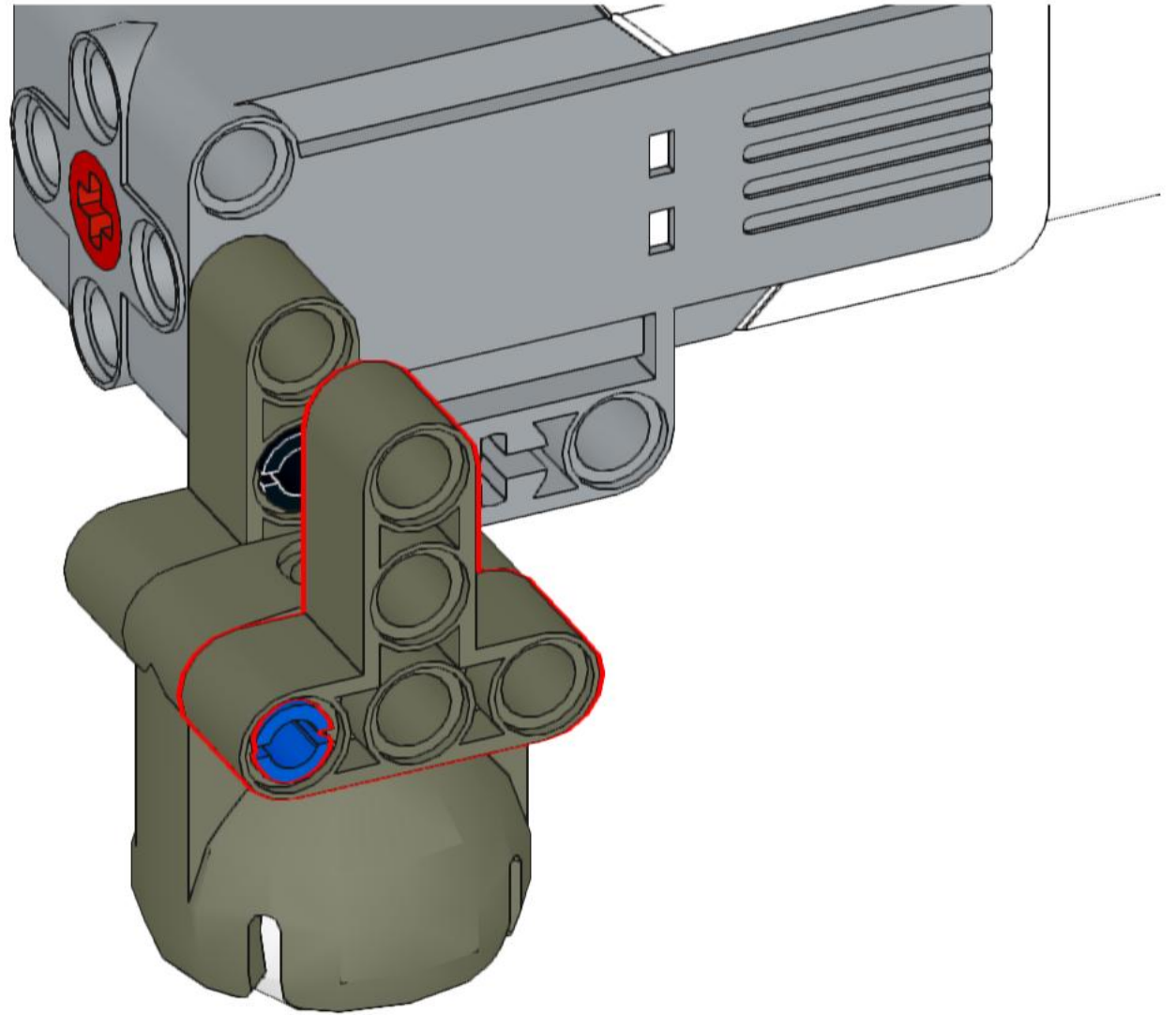
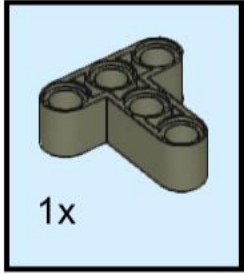
4



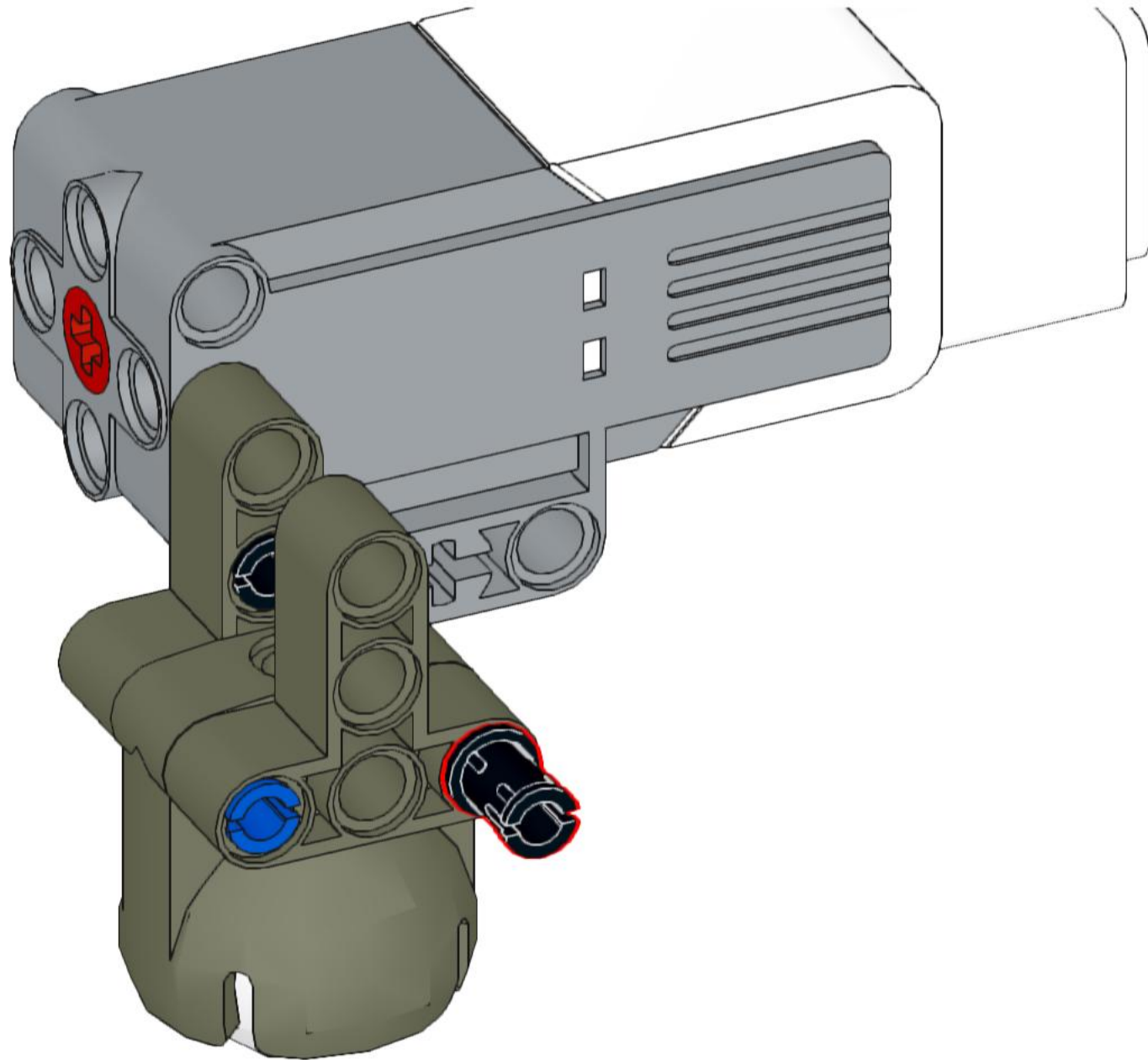
5



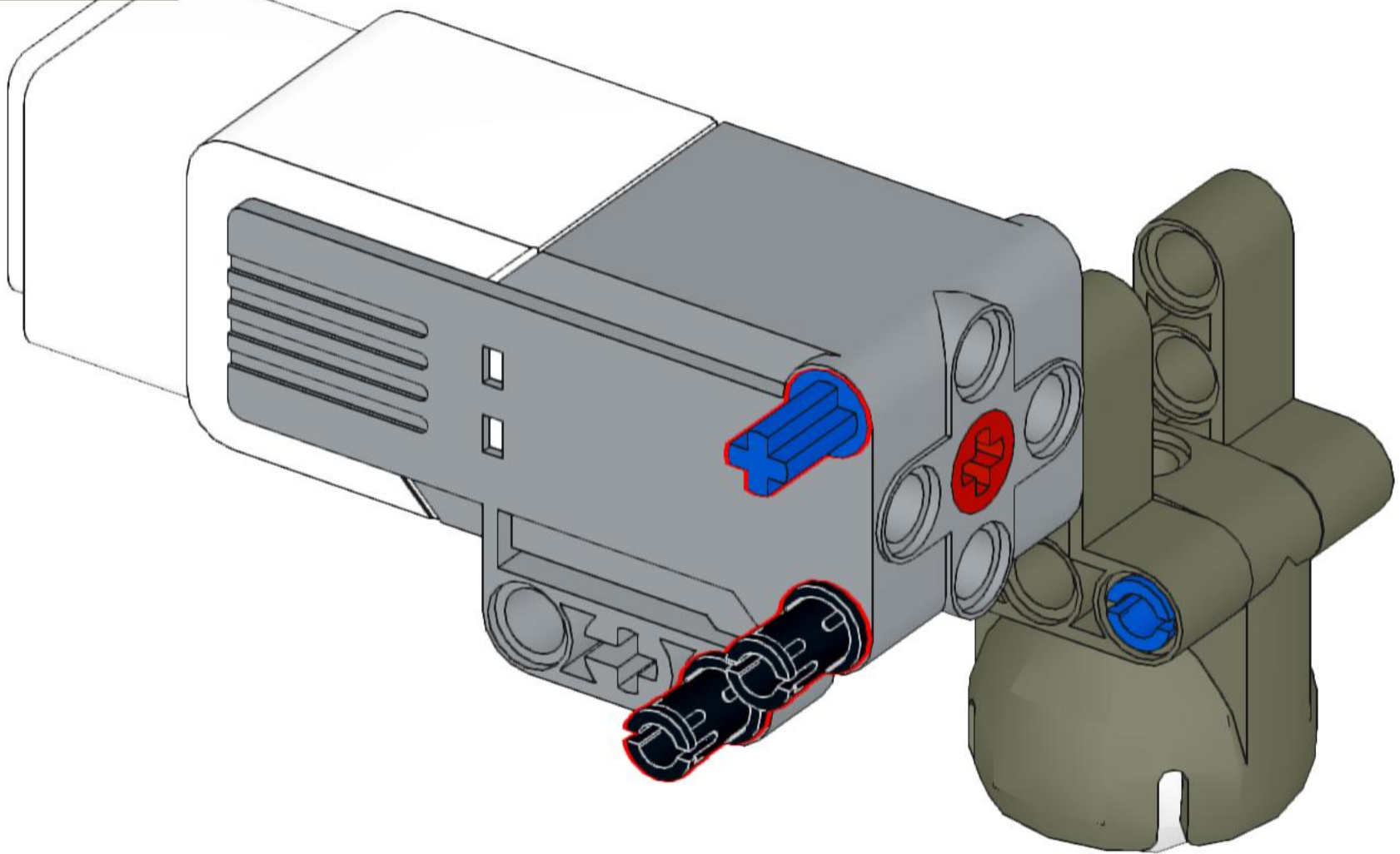
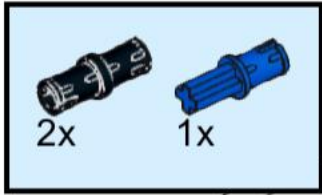
6



7

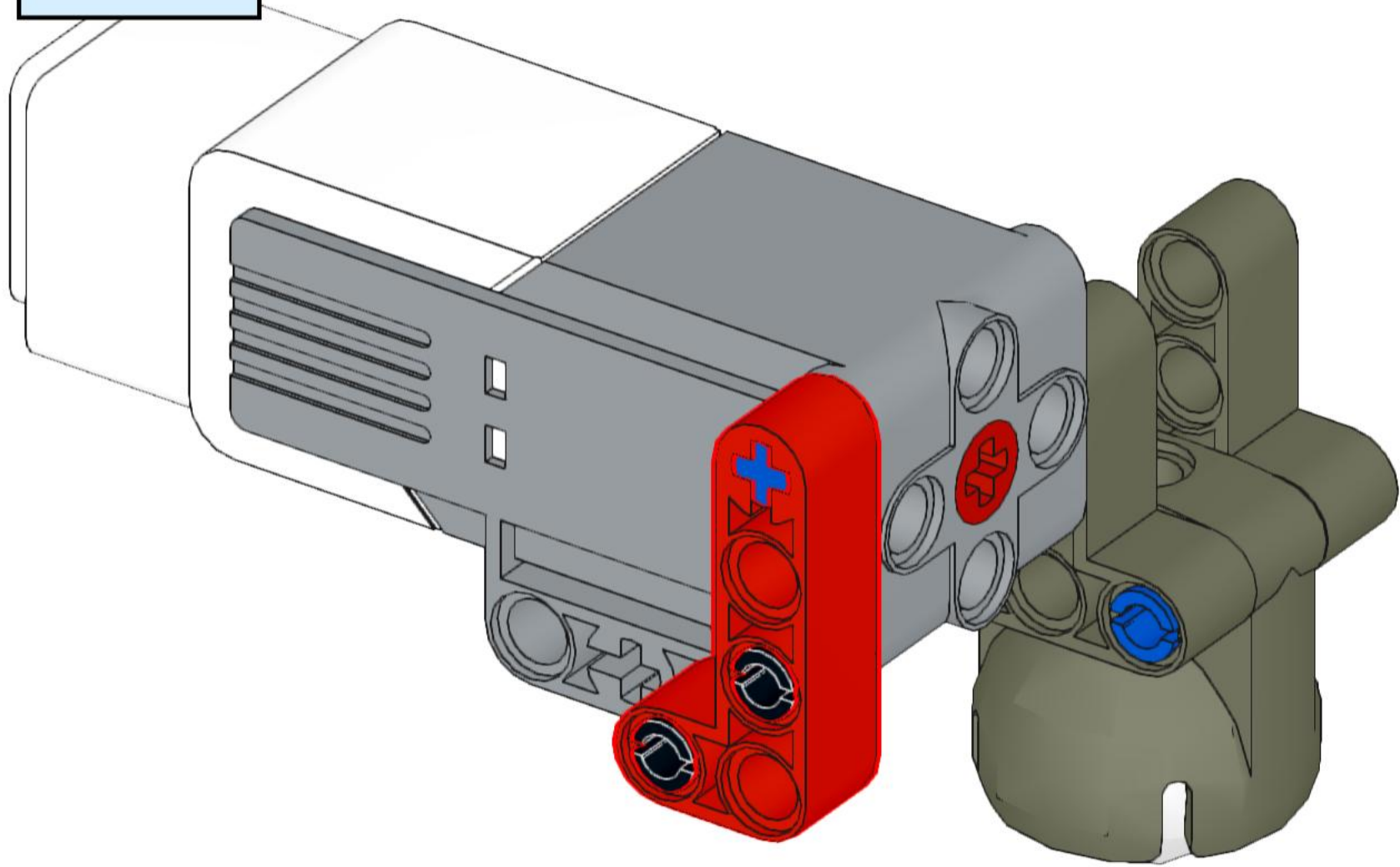
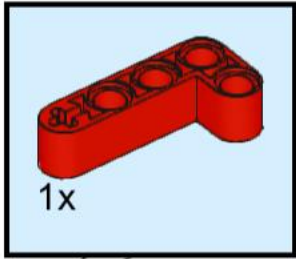


8

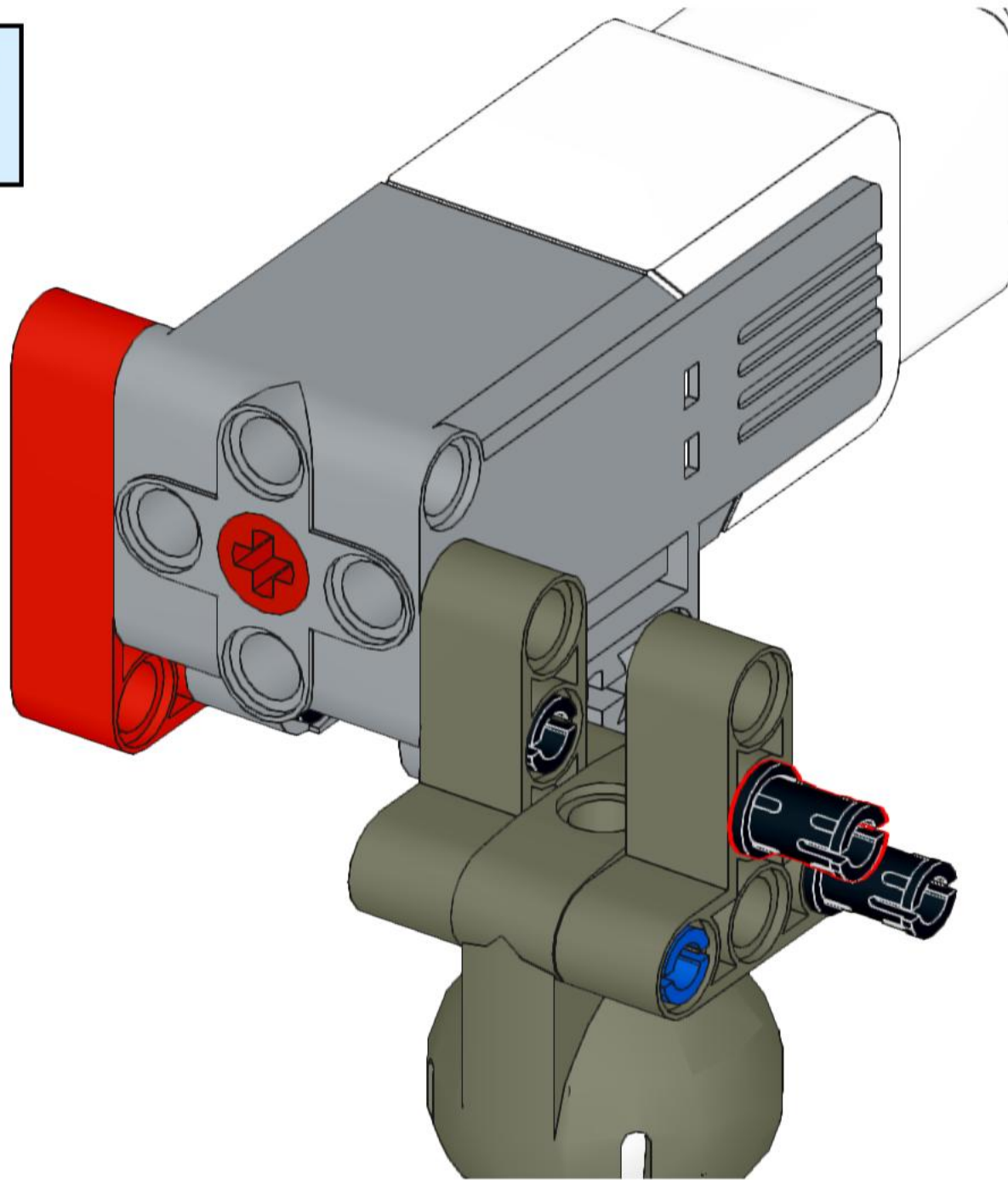




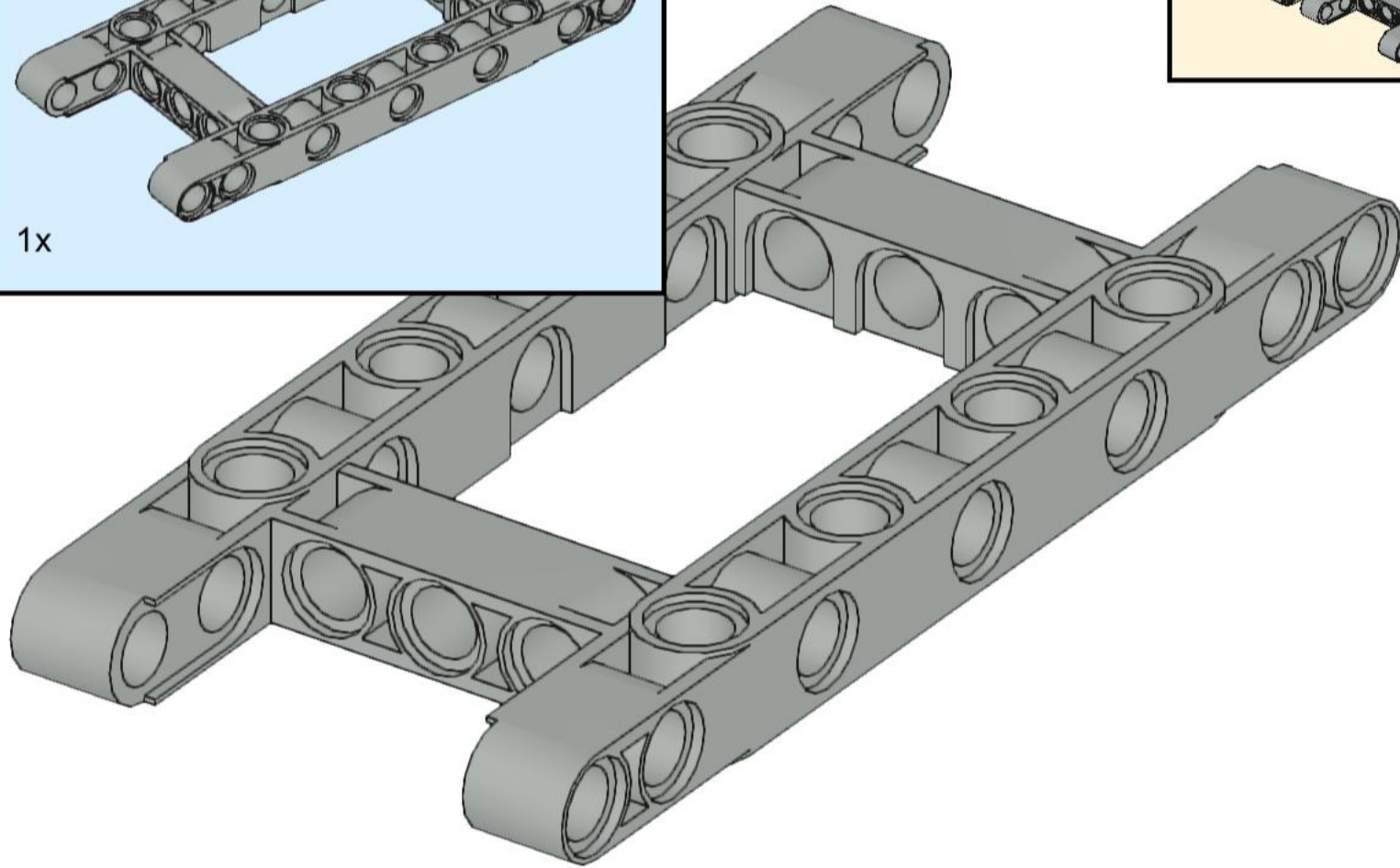
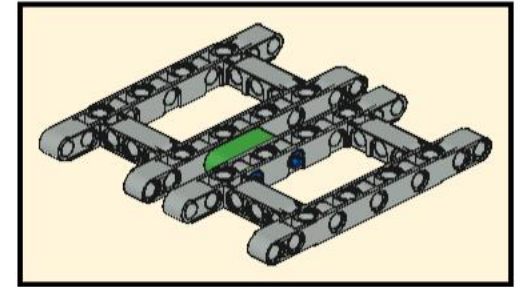
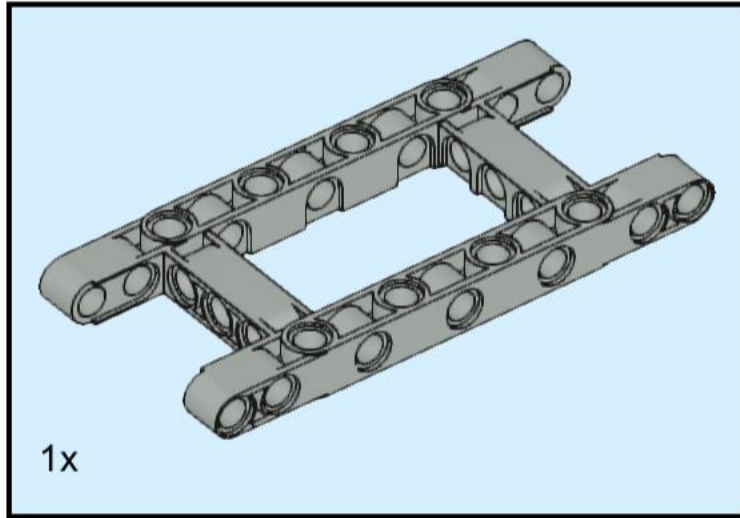
9



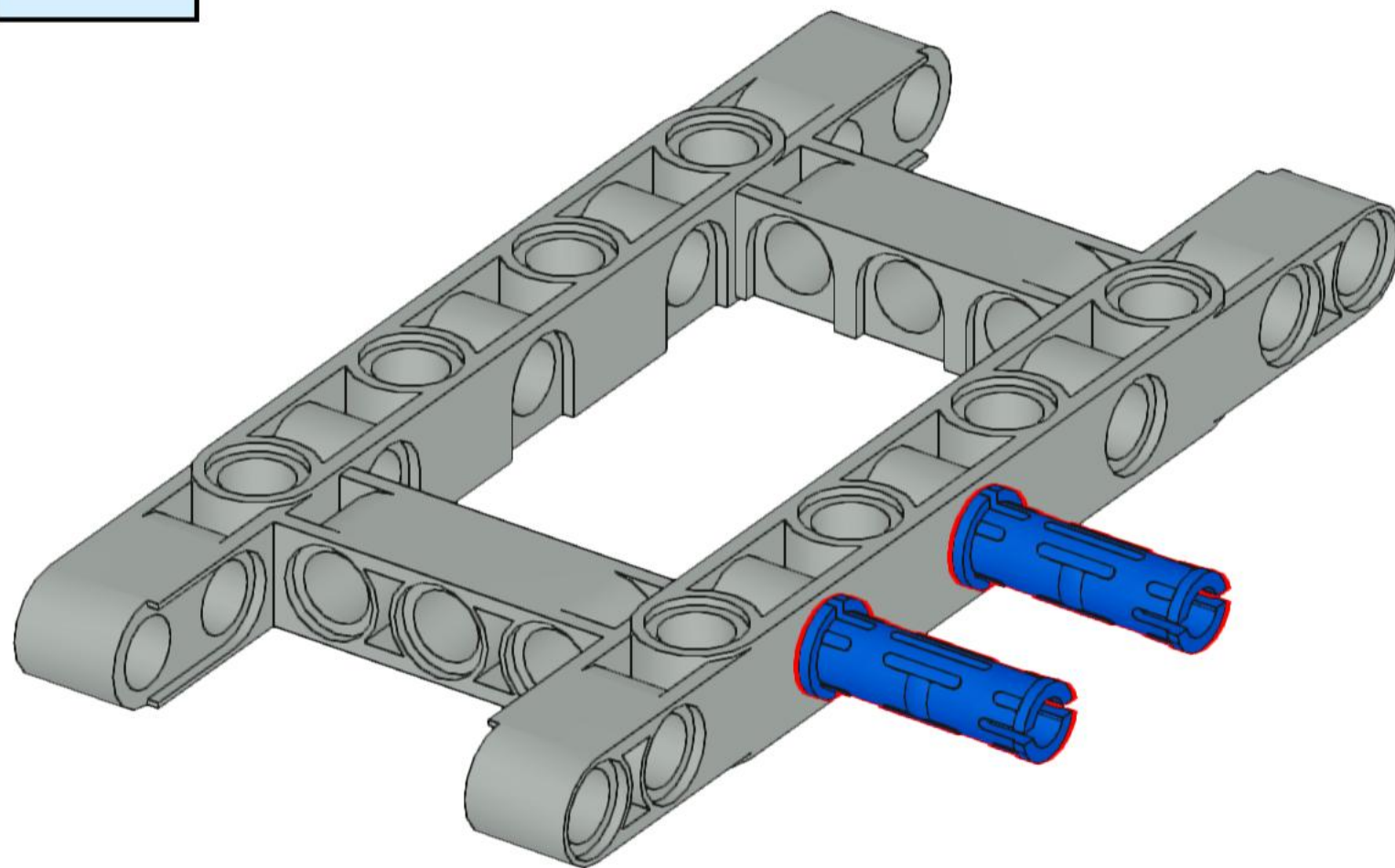
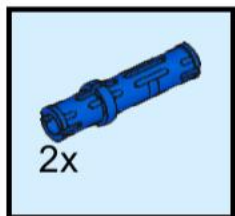
10



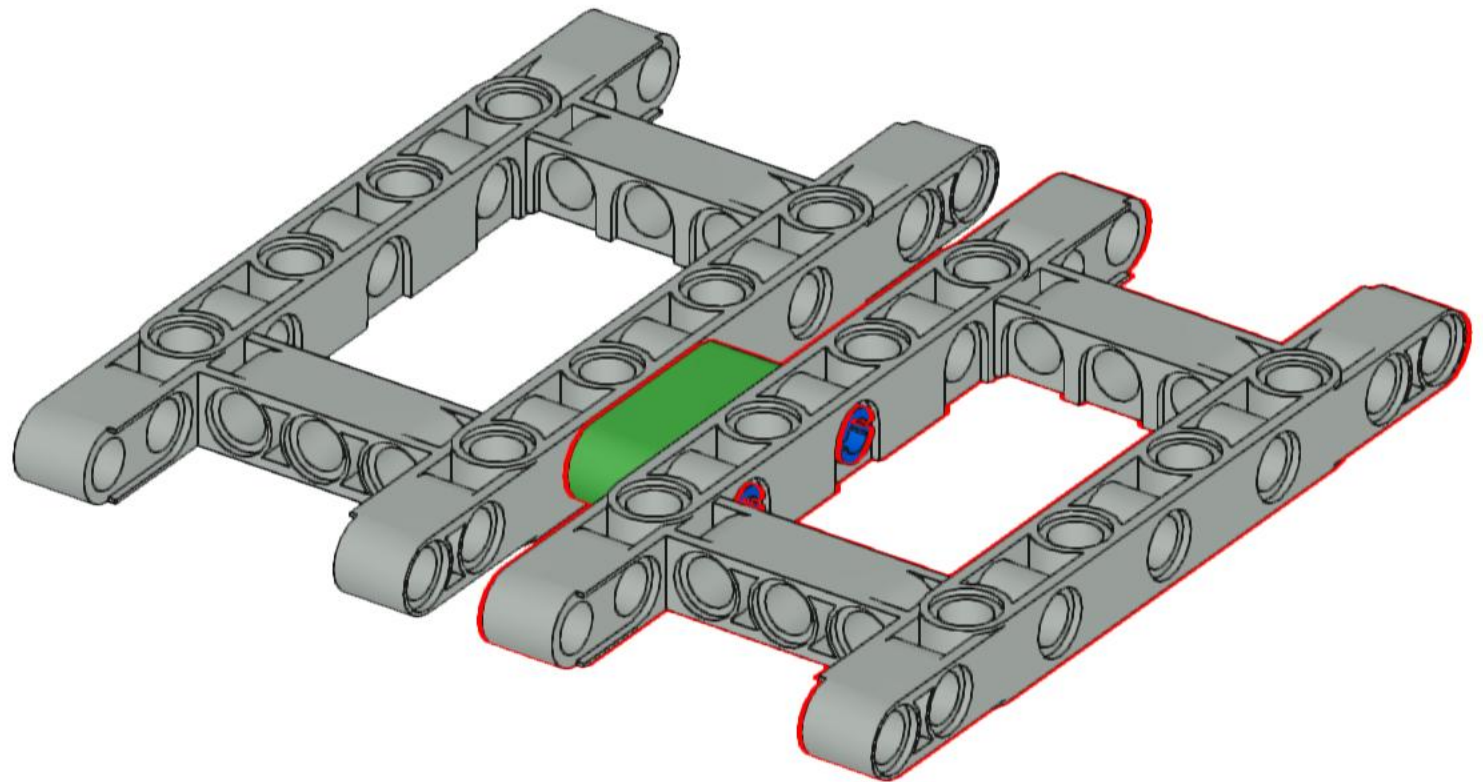
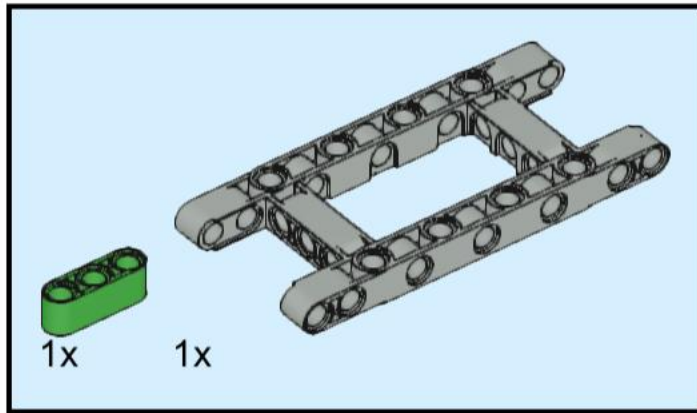
# 11



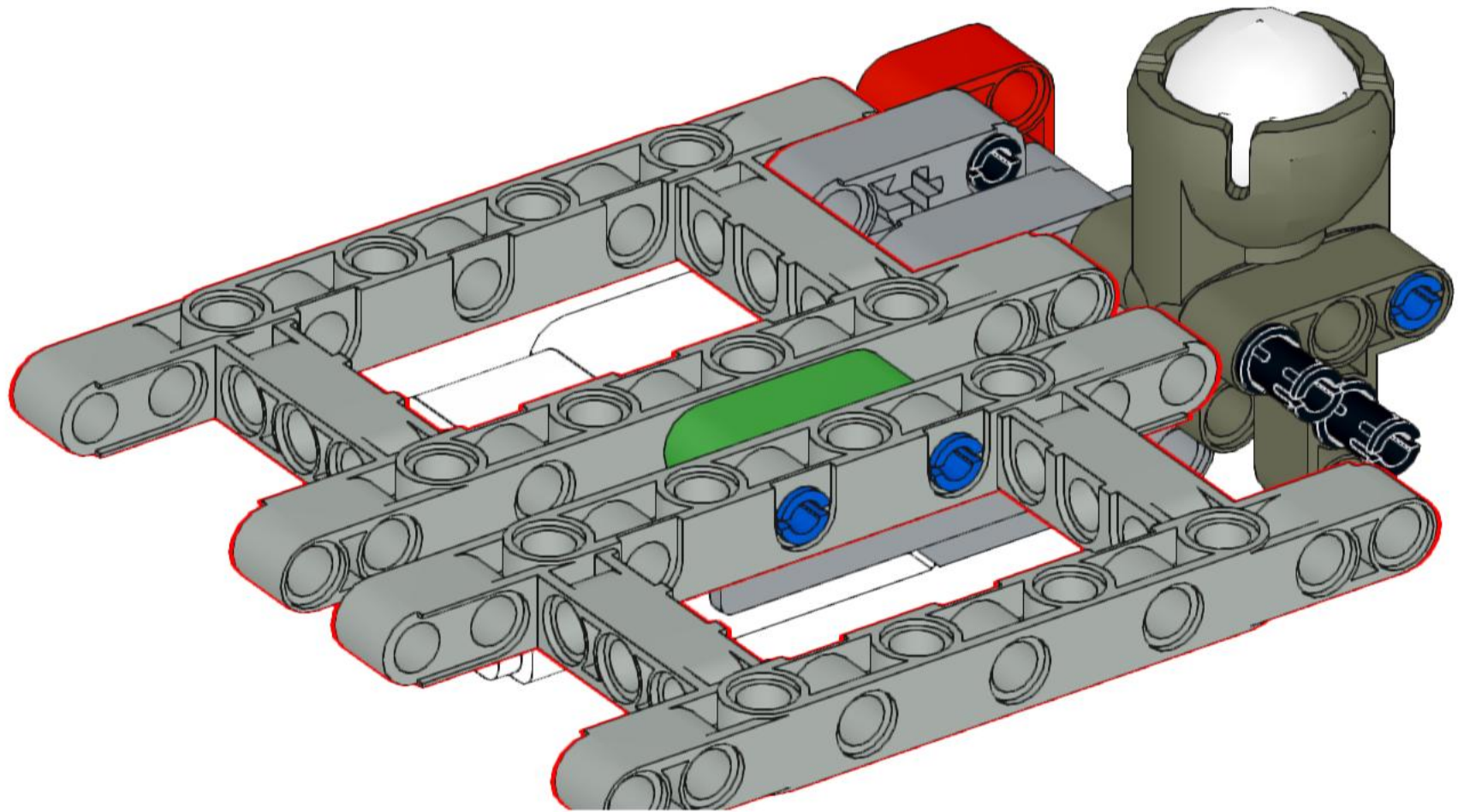
# 12



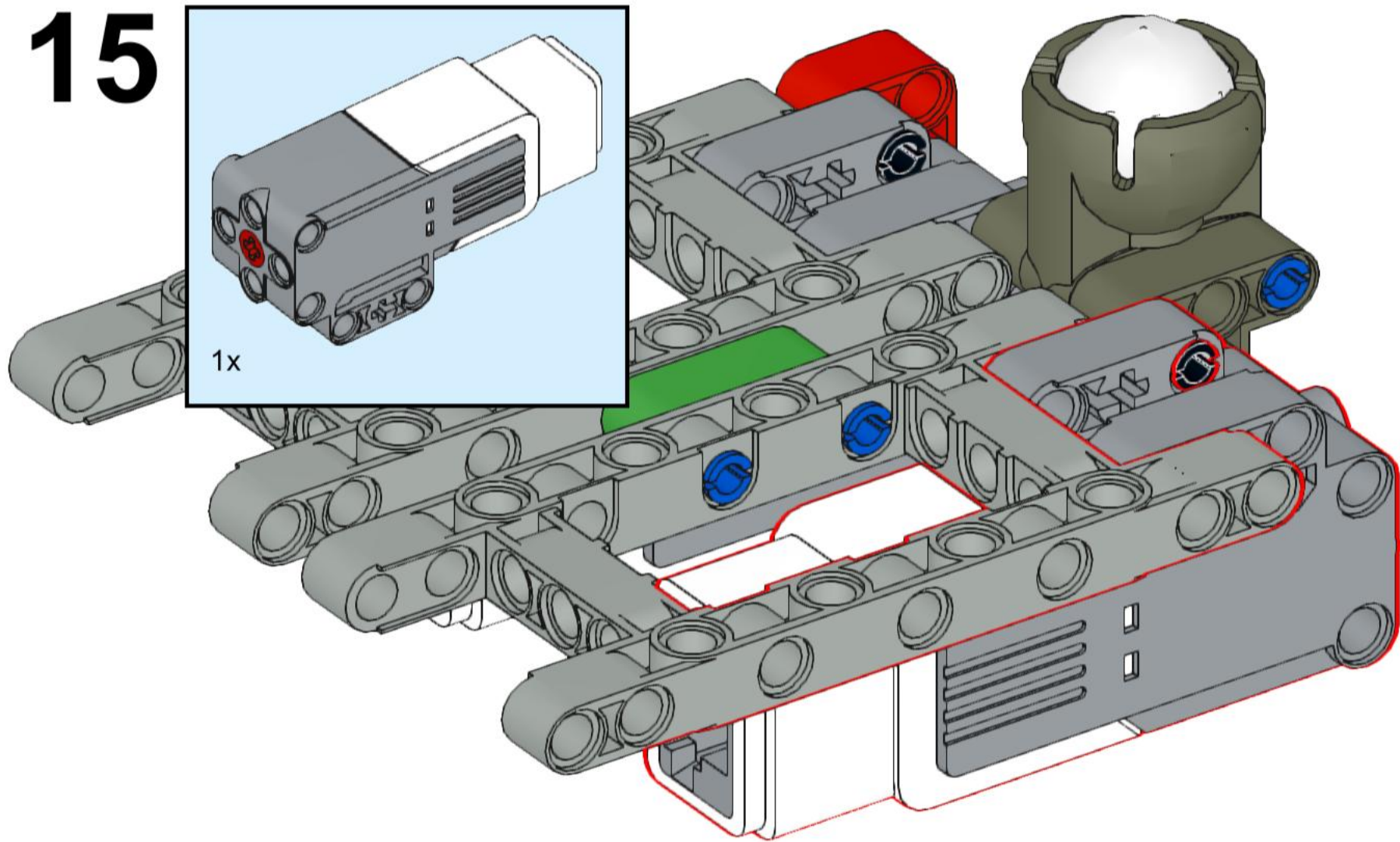
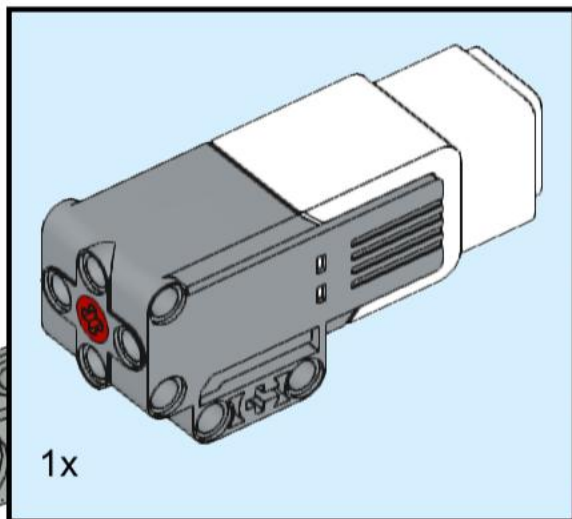
# 13



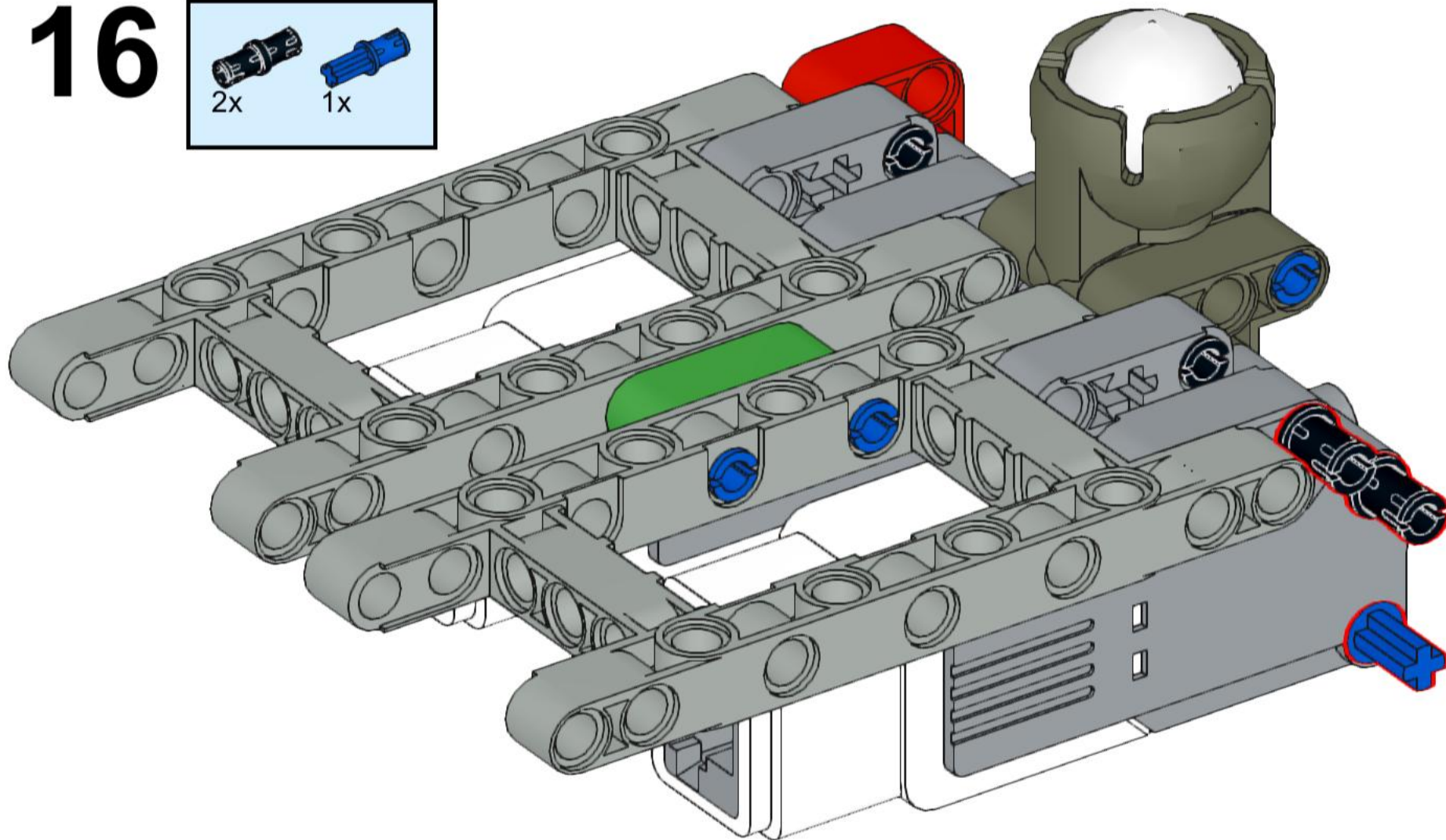
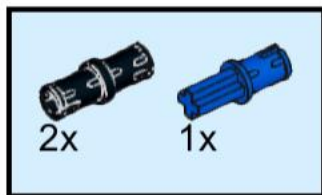
14



# 15

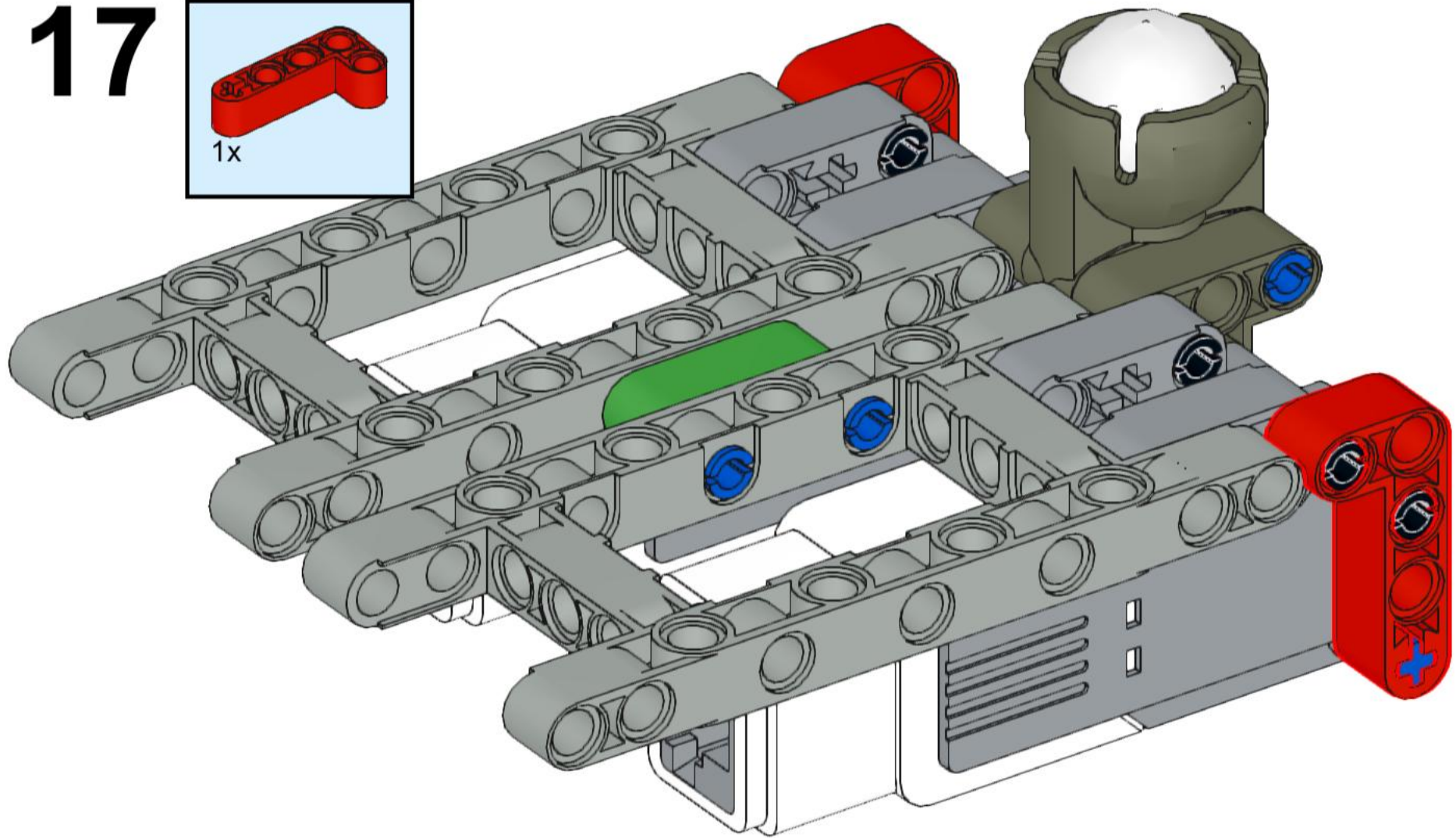
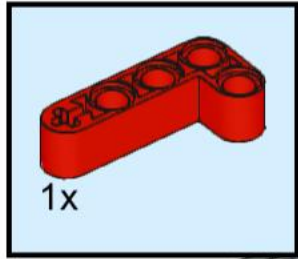


# 16

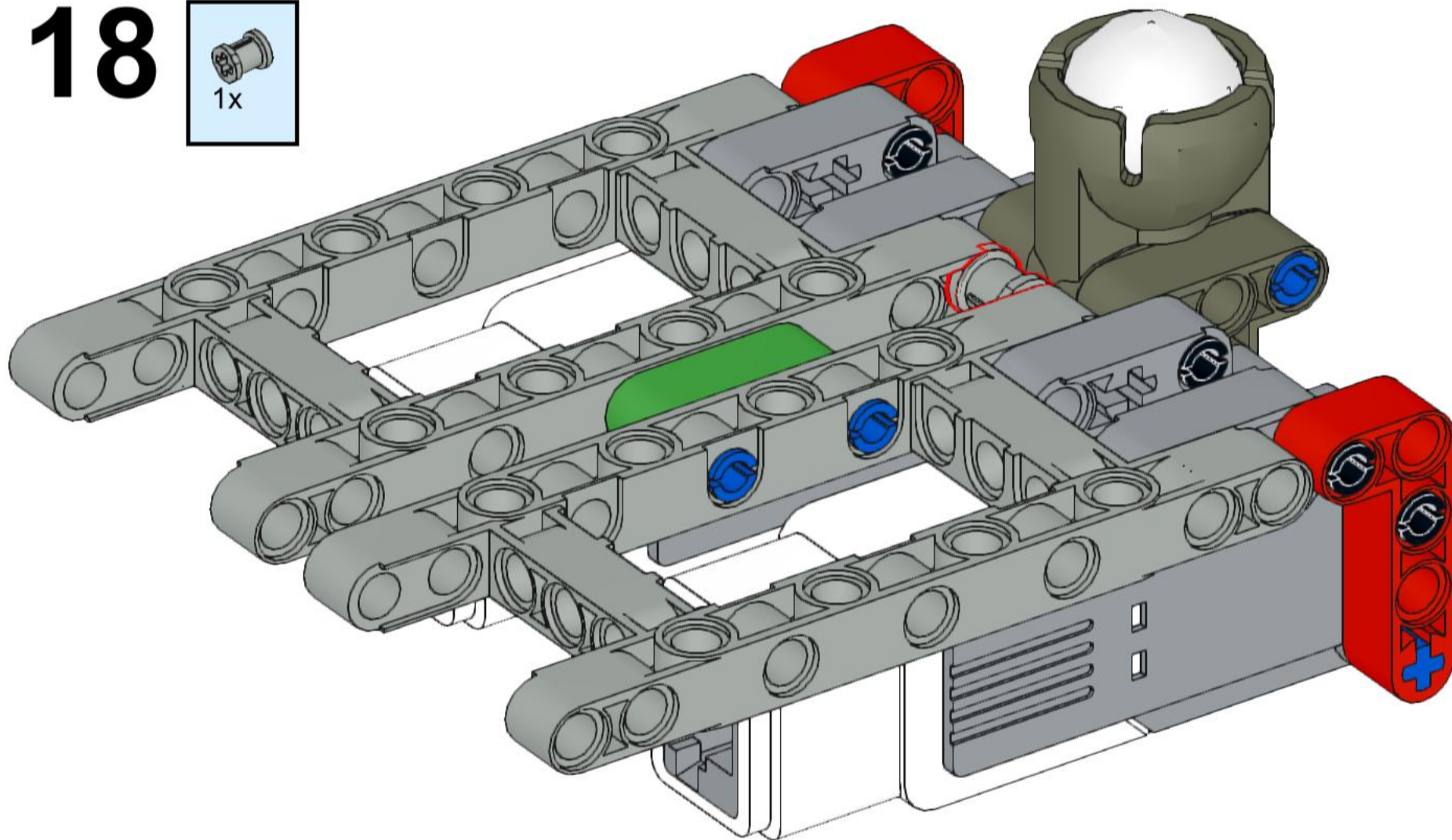
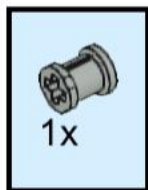




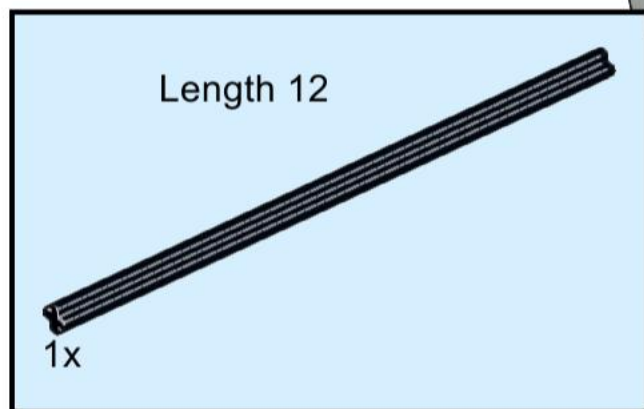
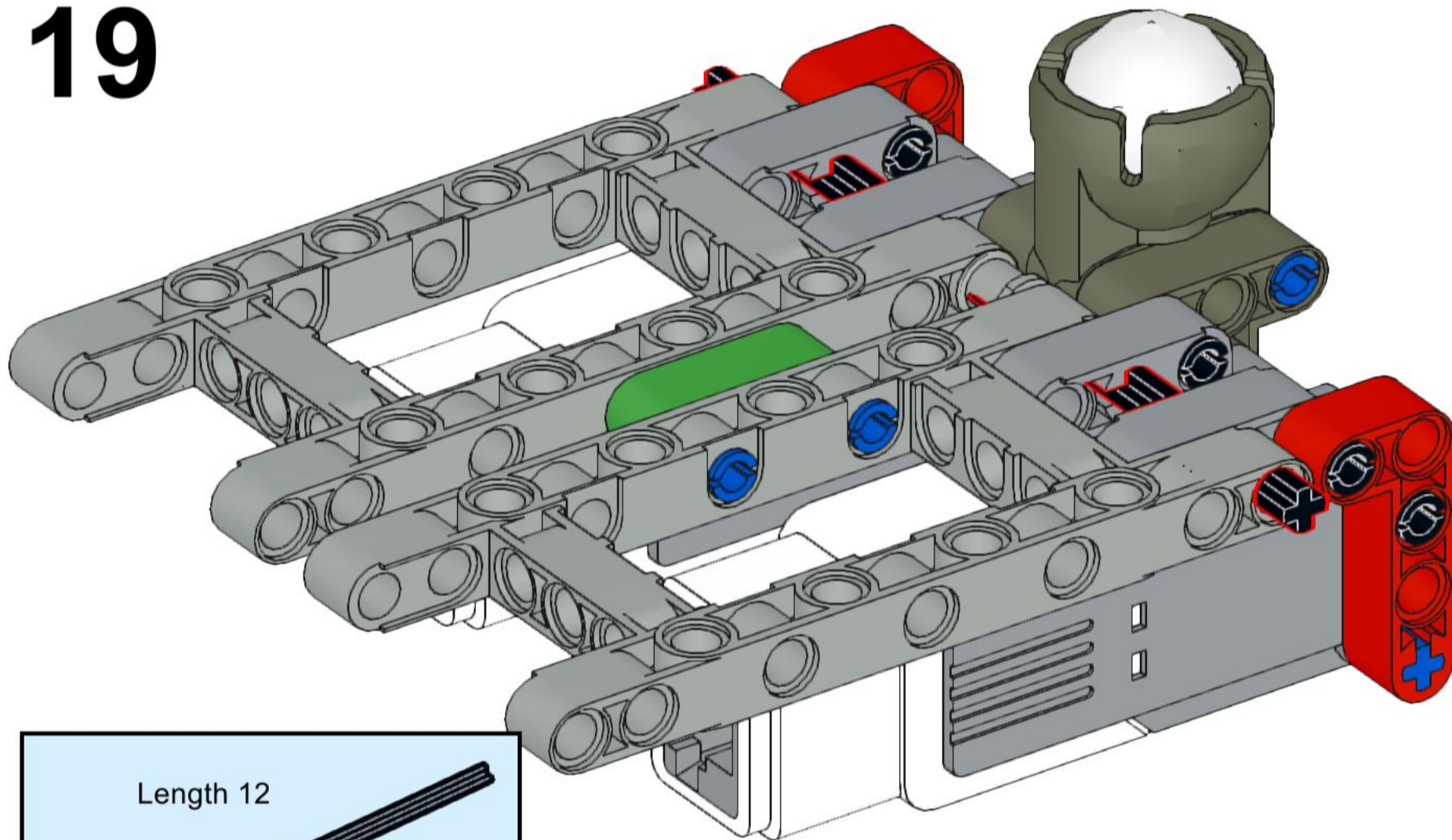
17



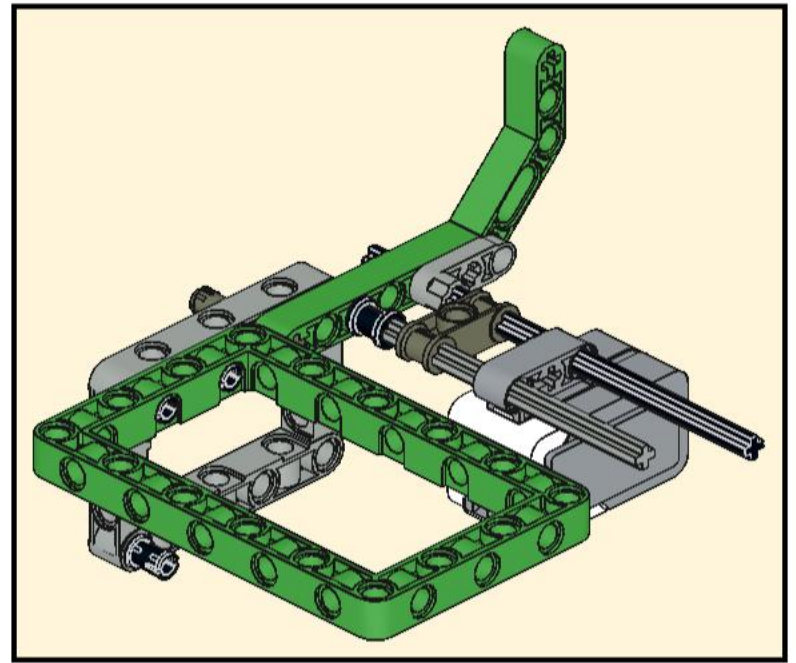
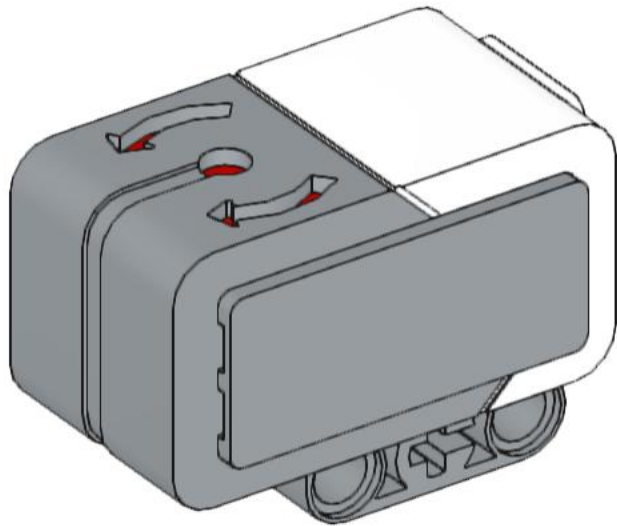
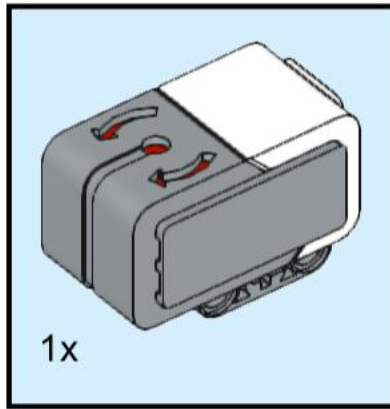
# 18



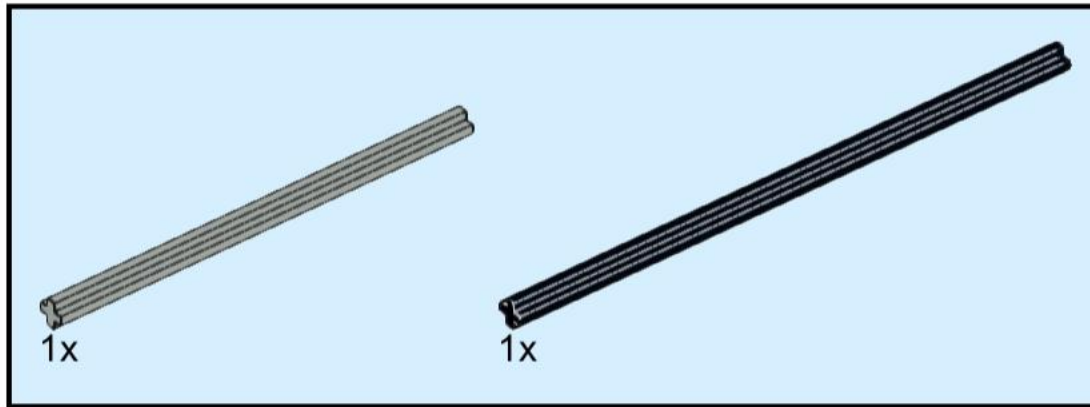
# 19



# 20

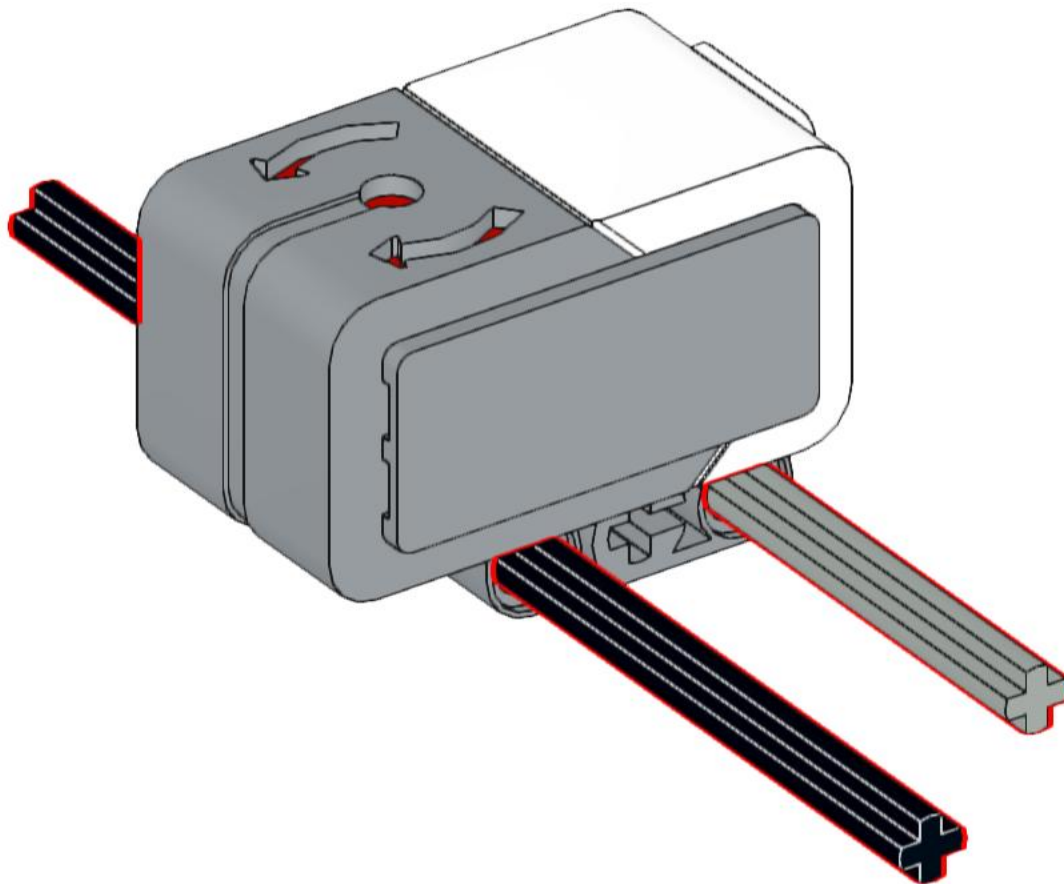


# 21

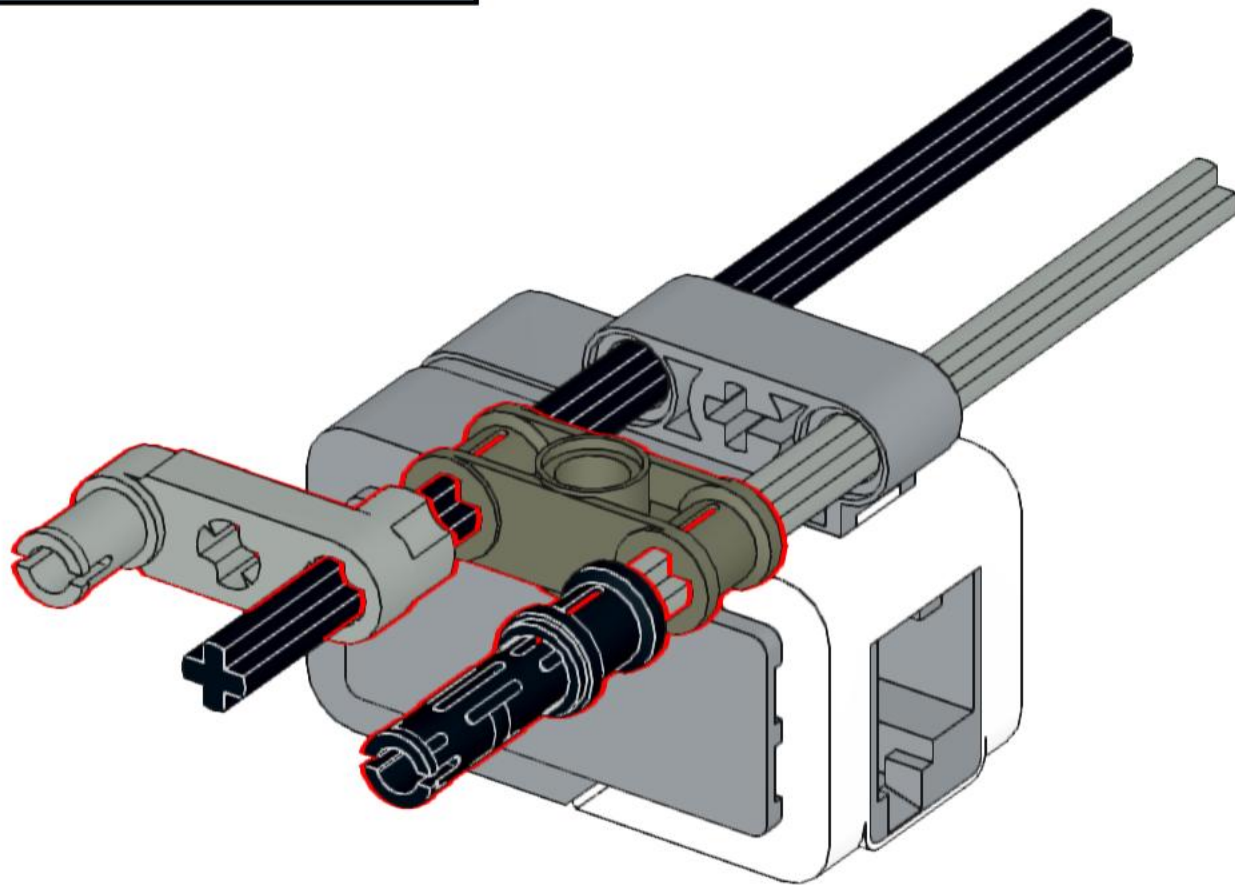
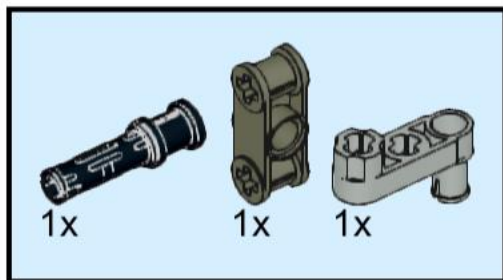


Axle Length 12 (black)

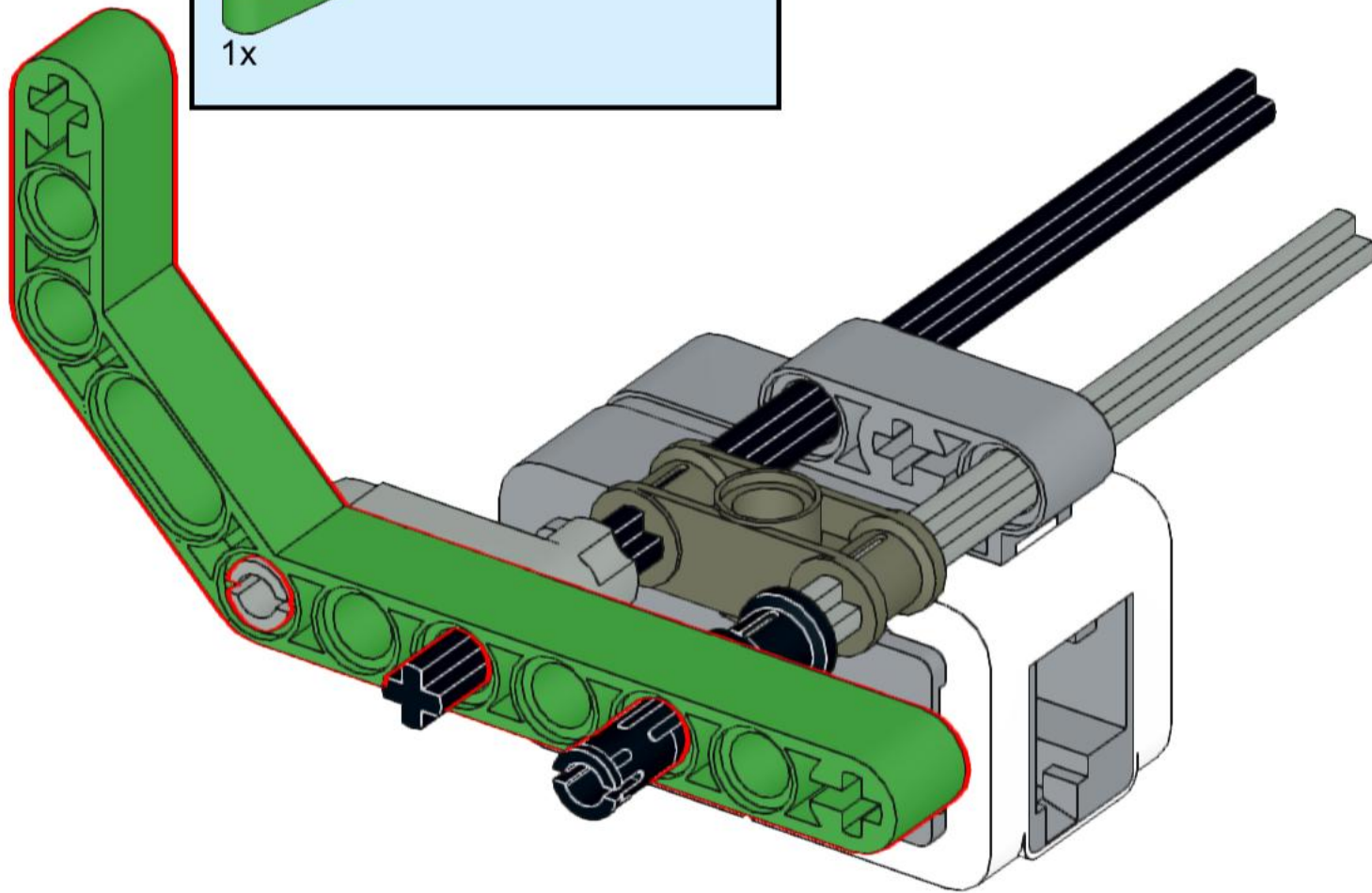
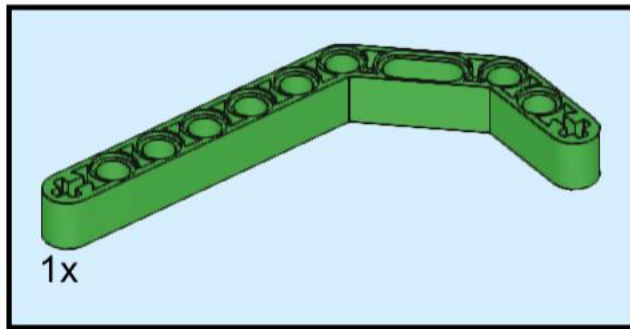
Axle Length 9 (grey)



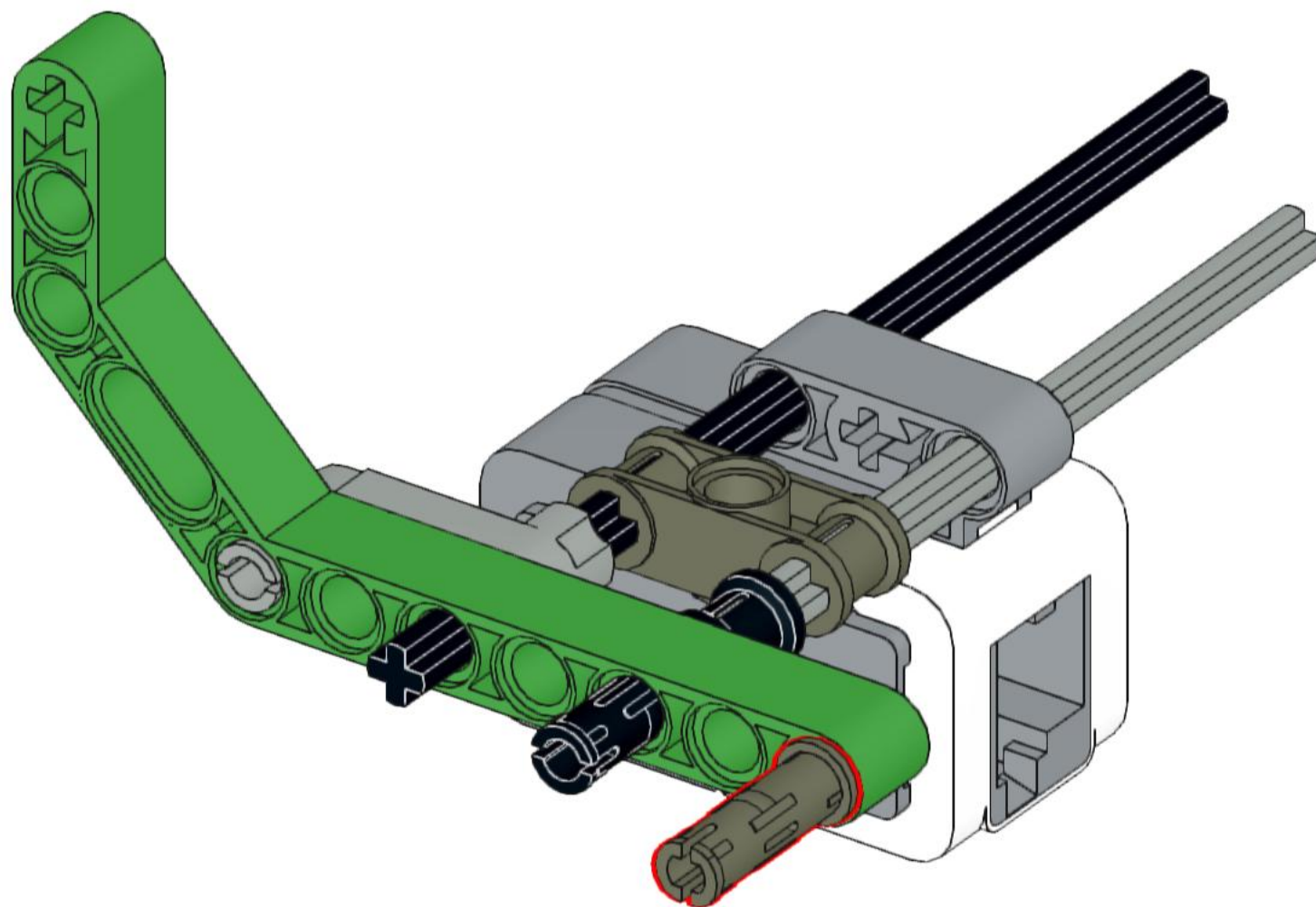
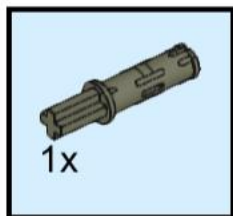
# 22



# 23

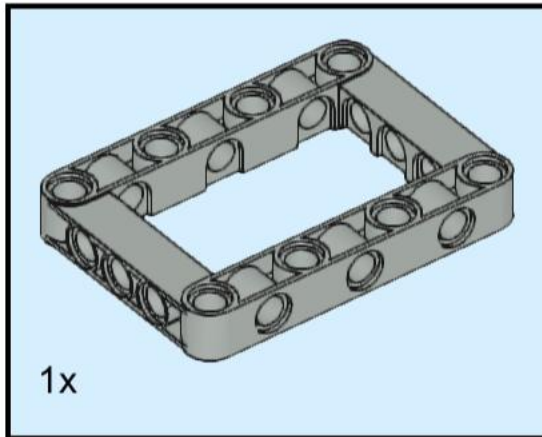
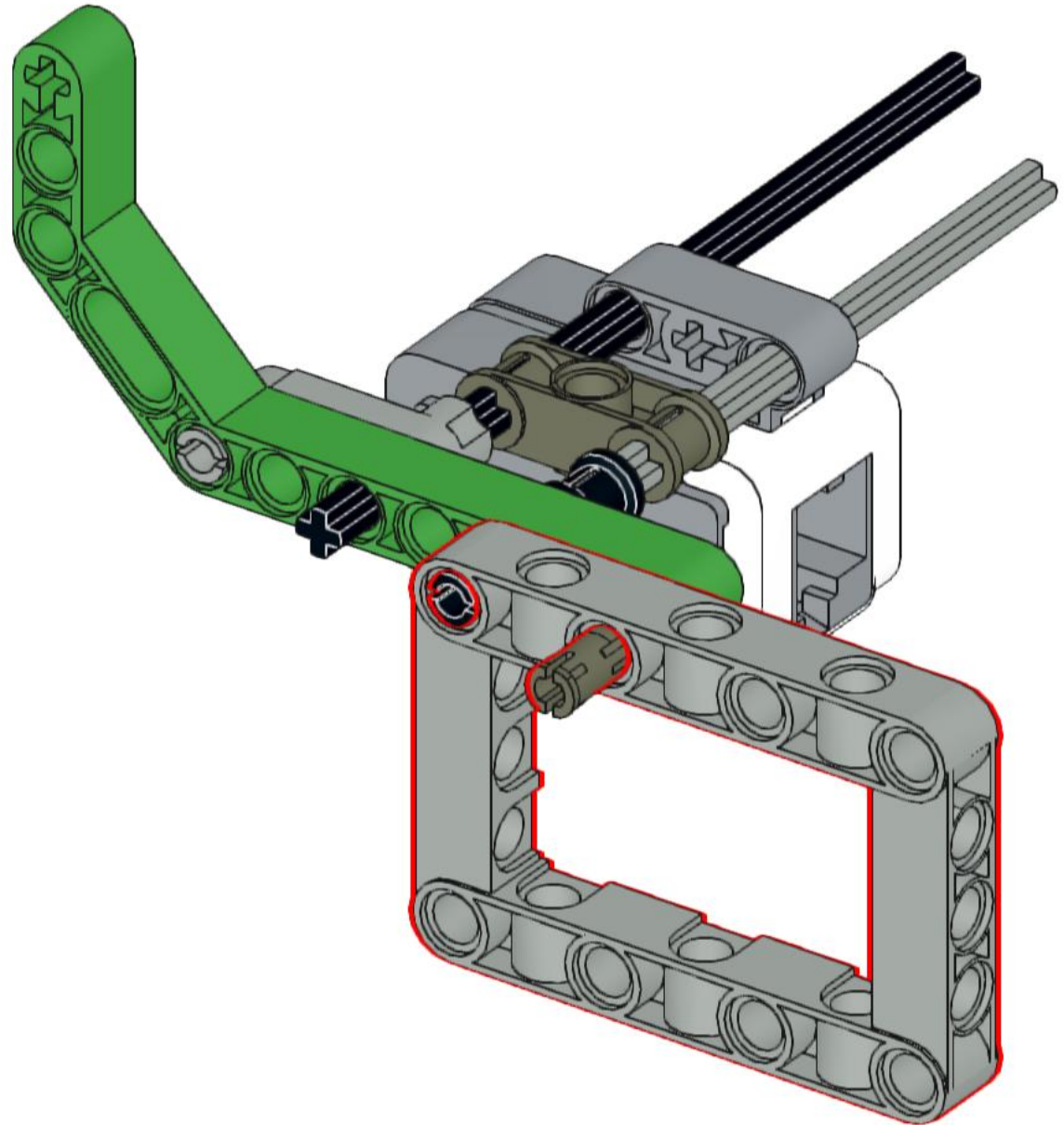


# 24

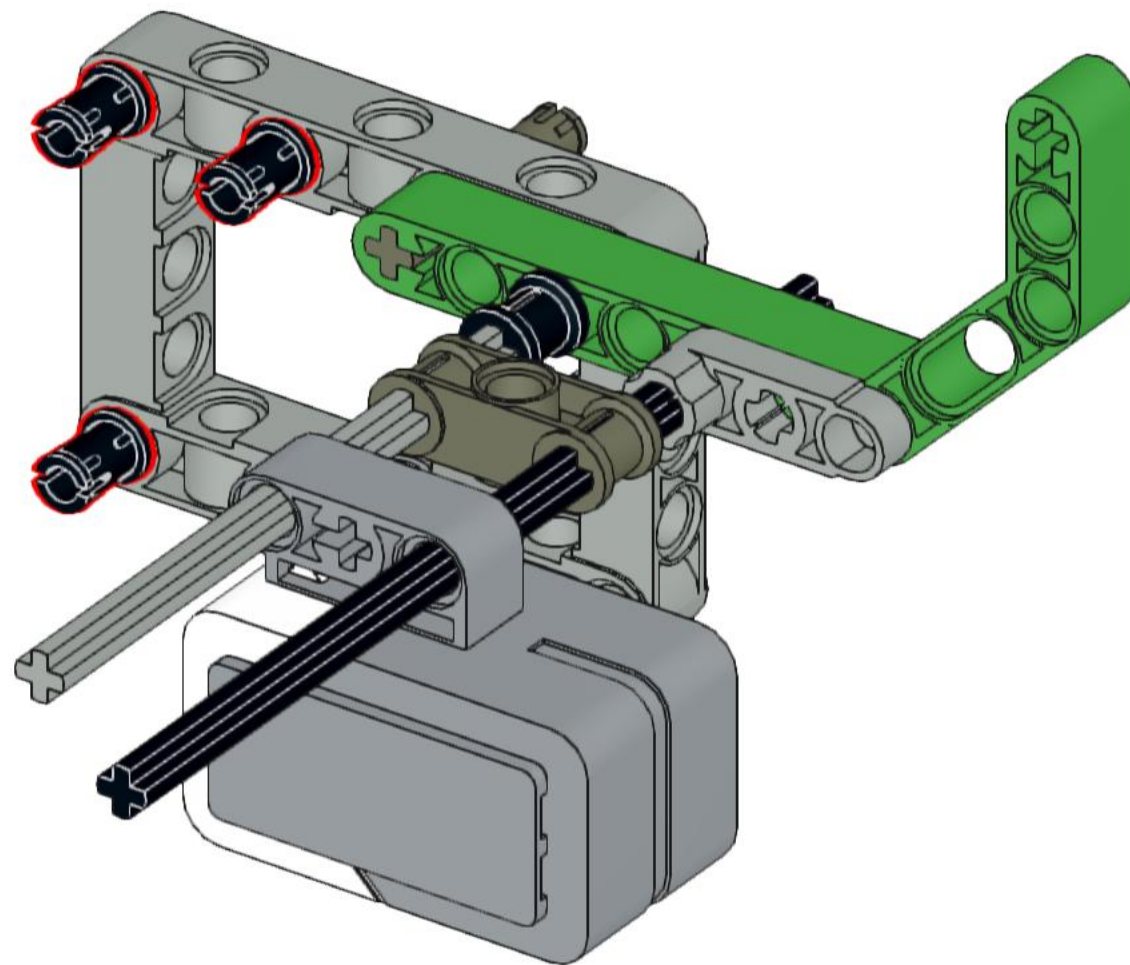




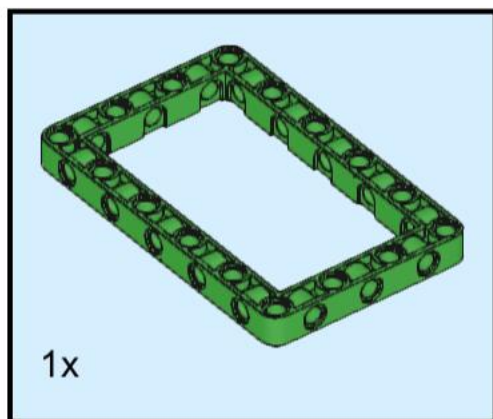
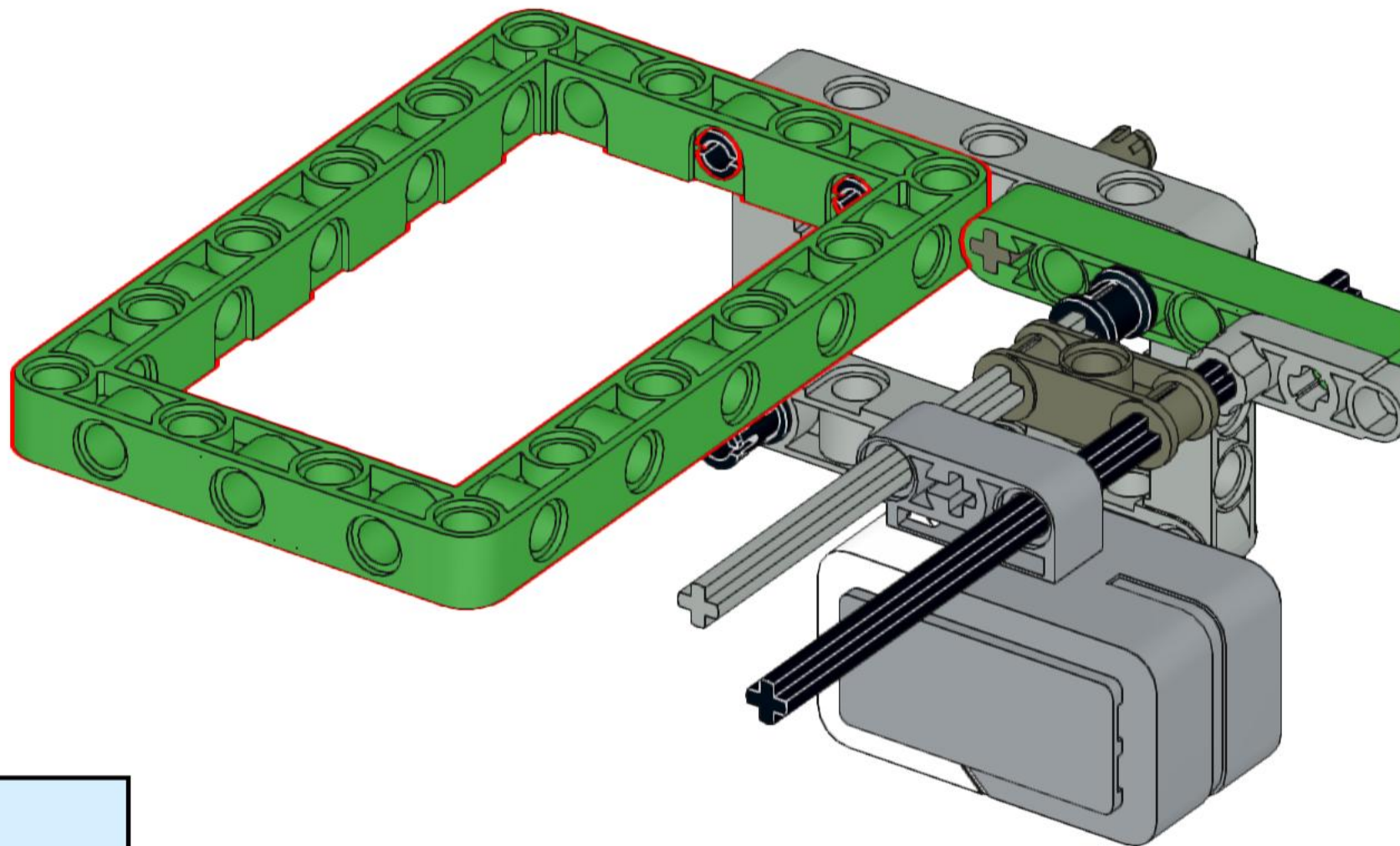
# 25



# 26

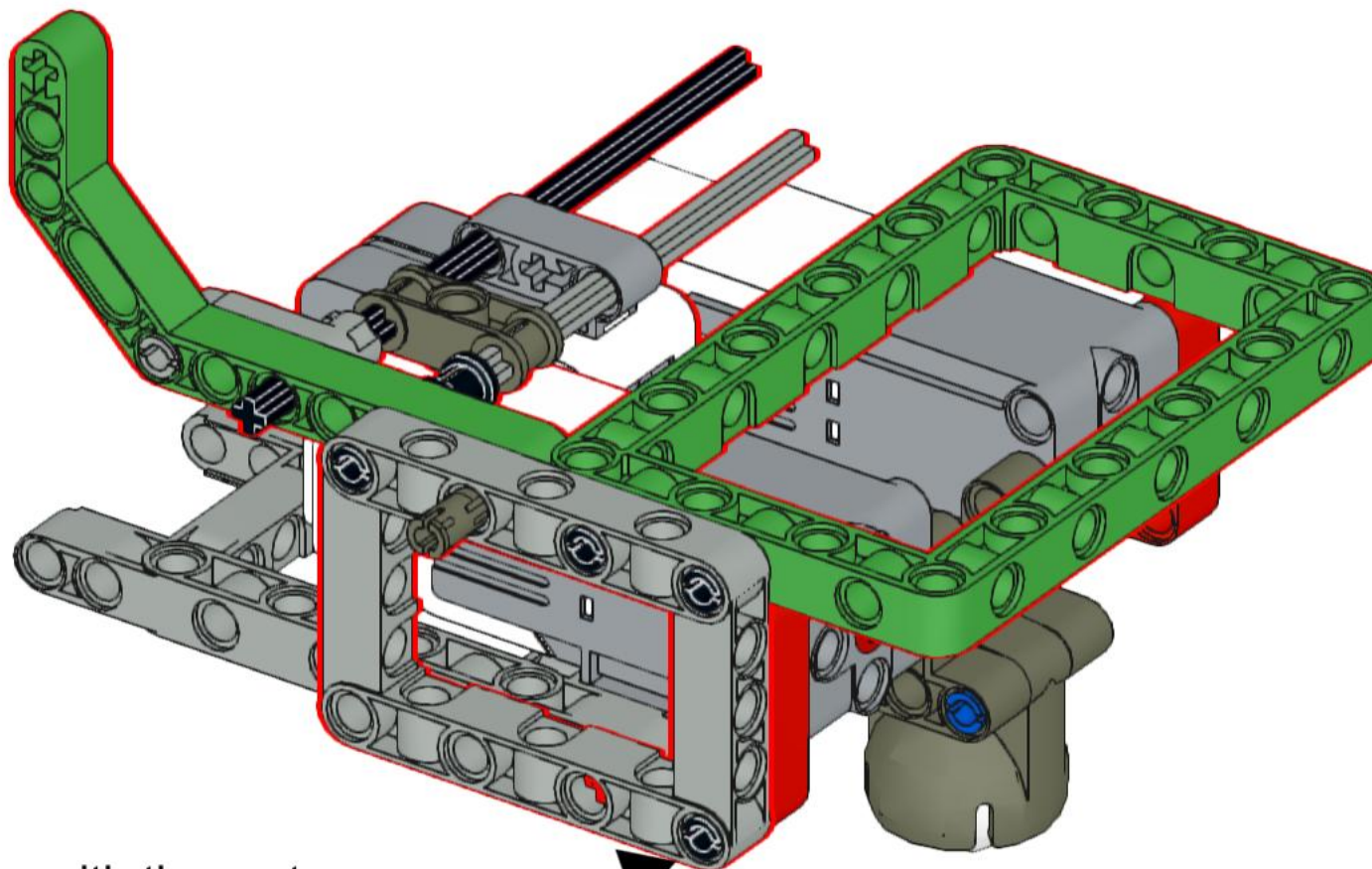


# 27



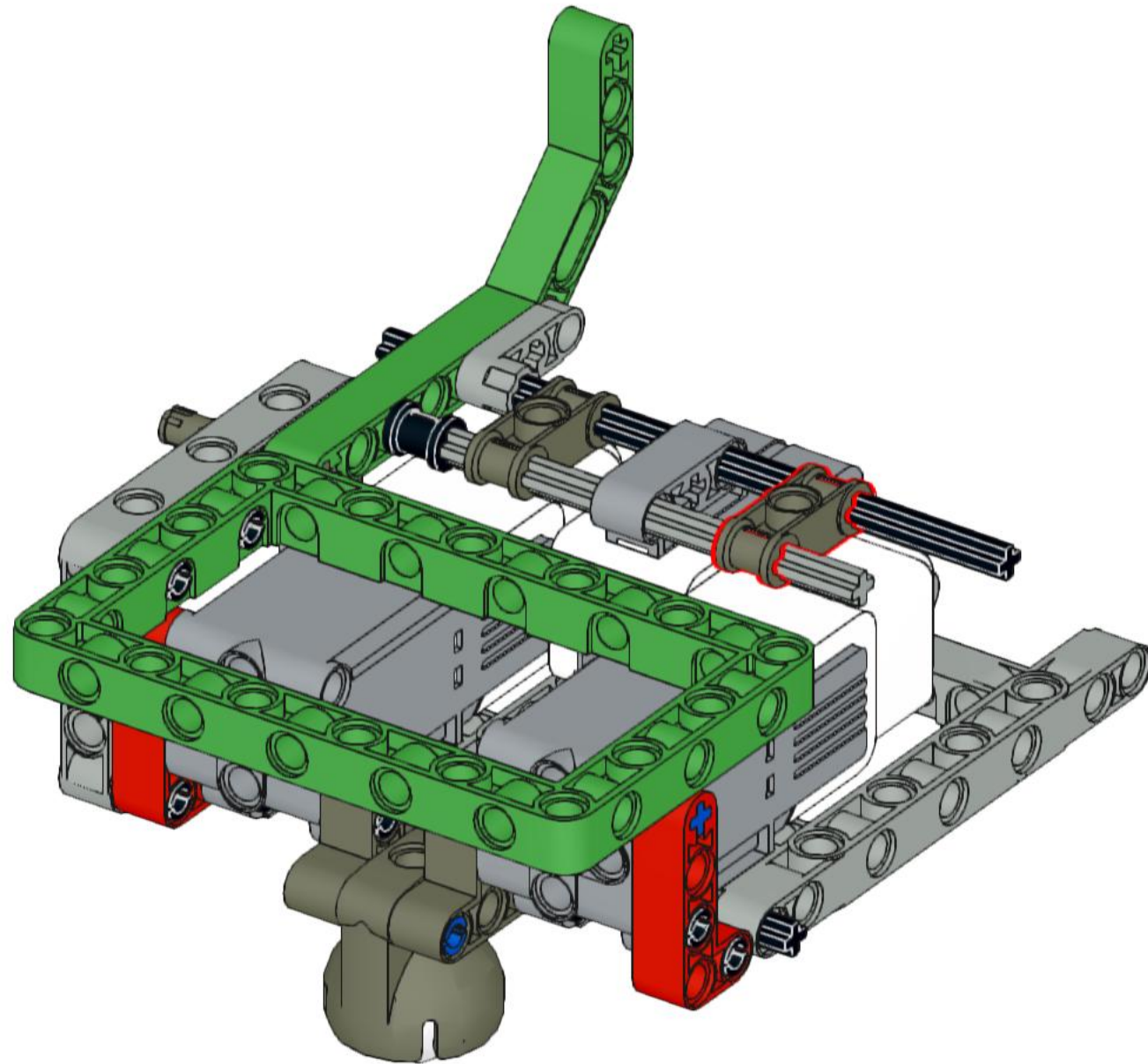
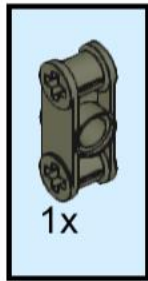
1x

# 28



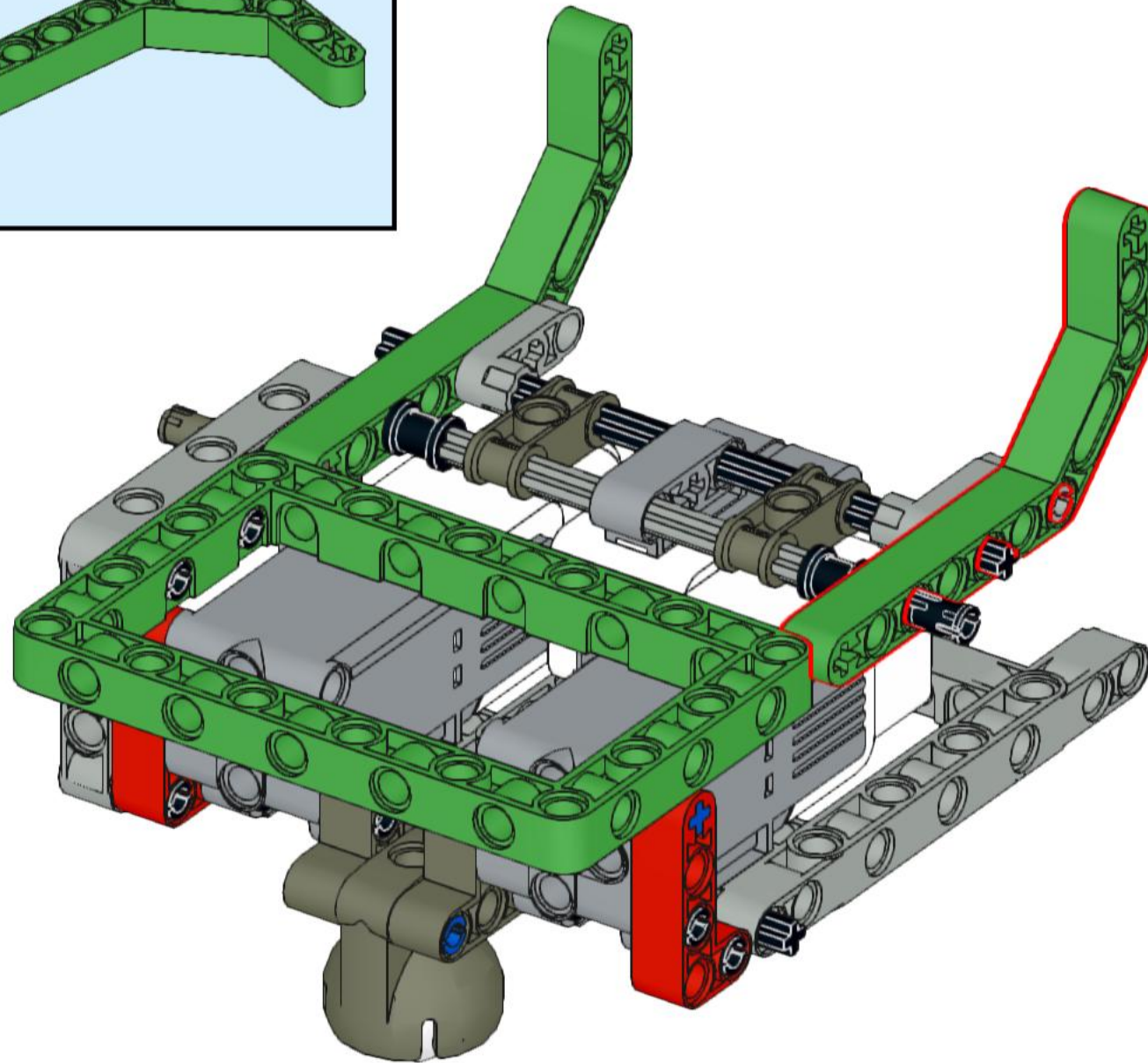
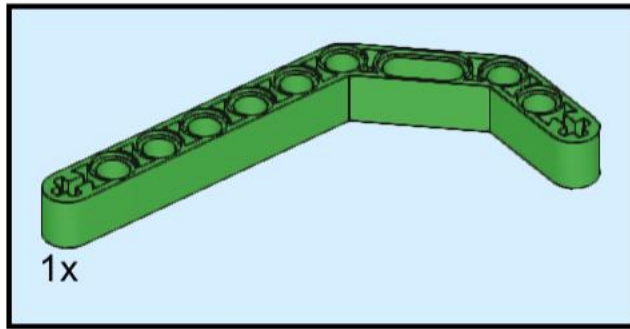
Combine sensor with the motors.  
The parts join on this pin.

# 29

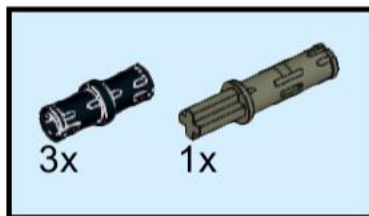




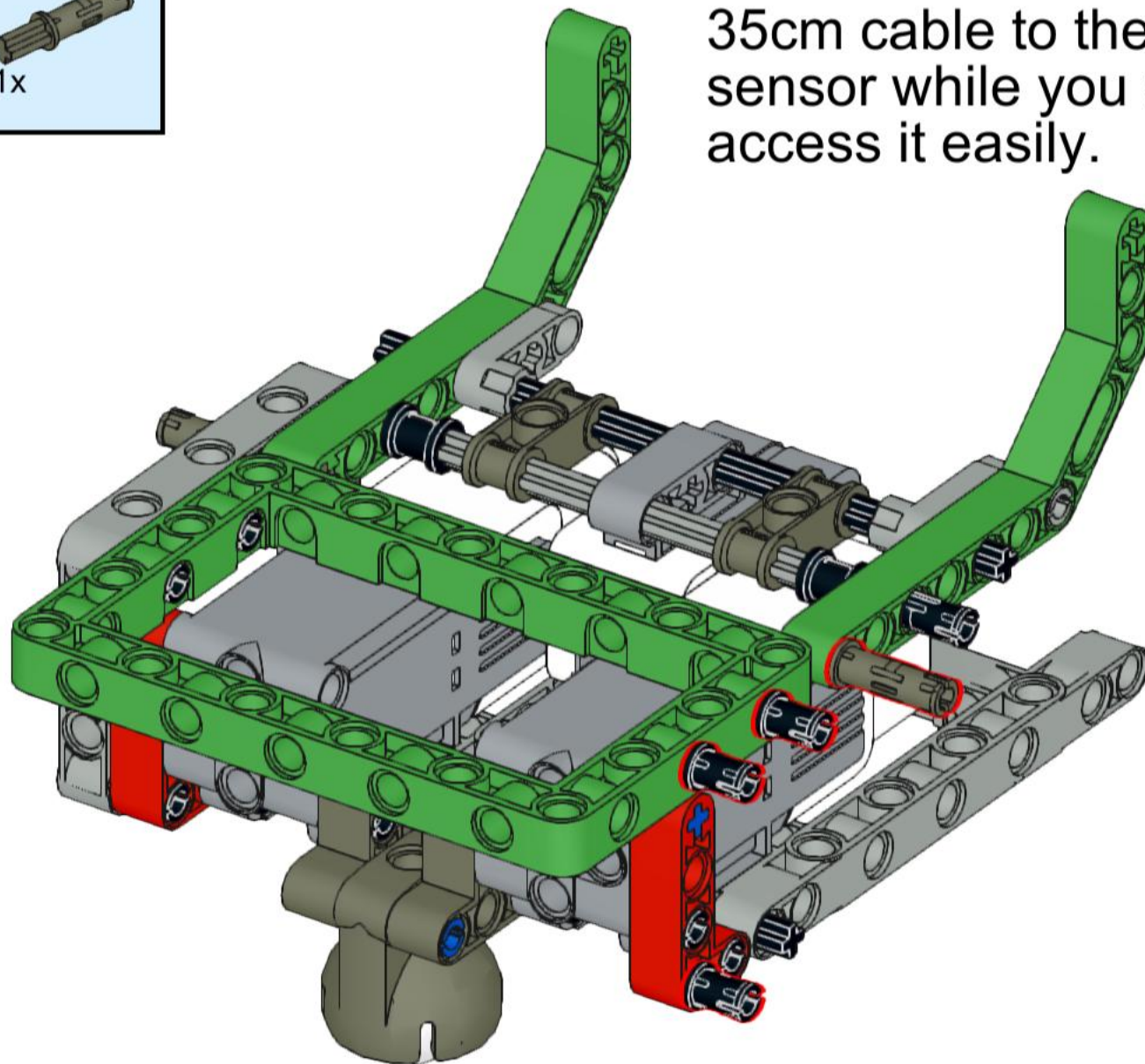
# 31



# 32

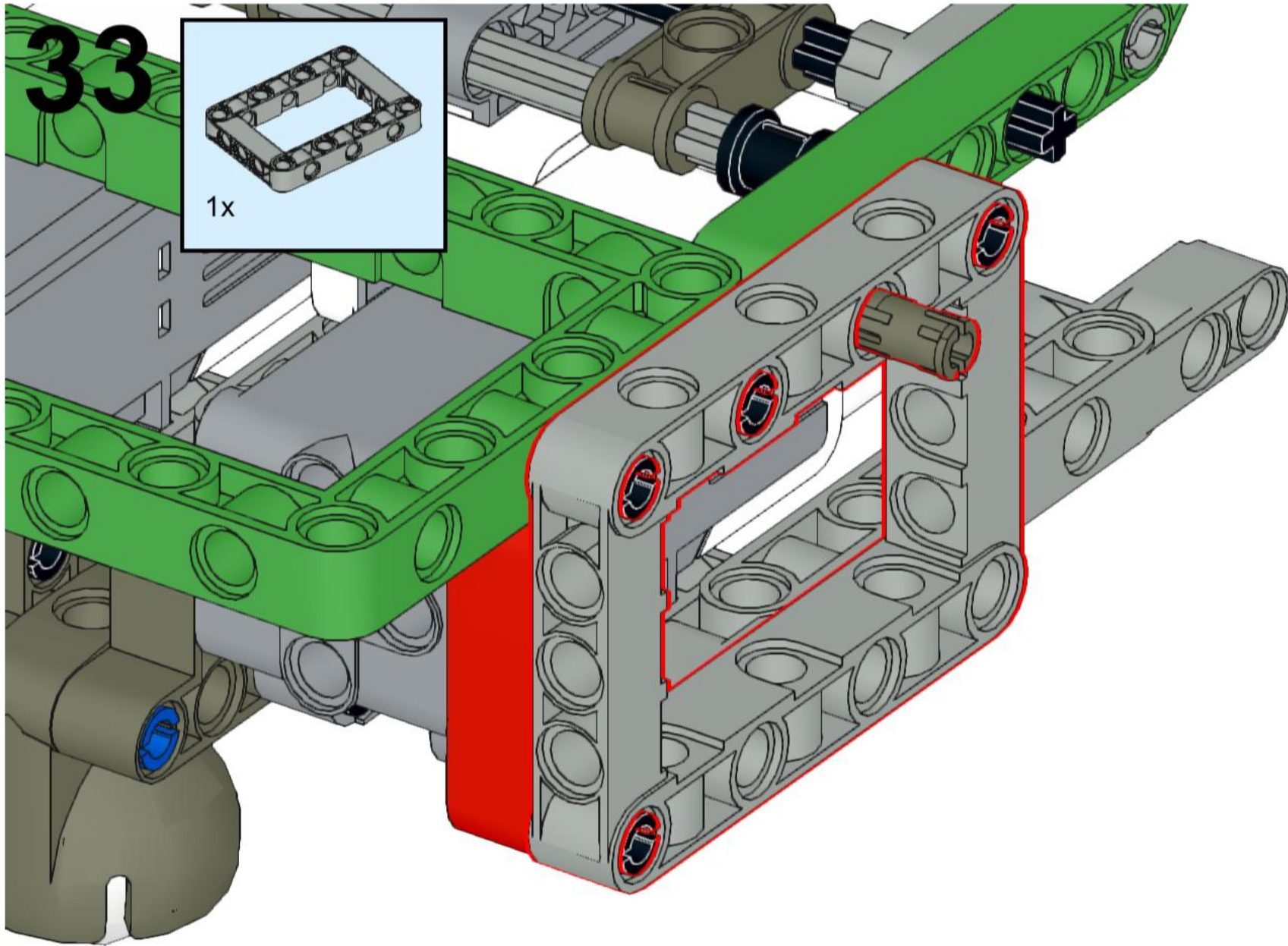
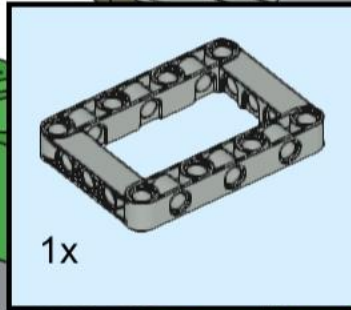


You should also attach a 35cm cable to the gyro sensor while you can access it easily.

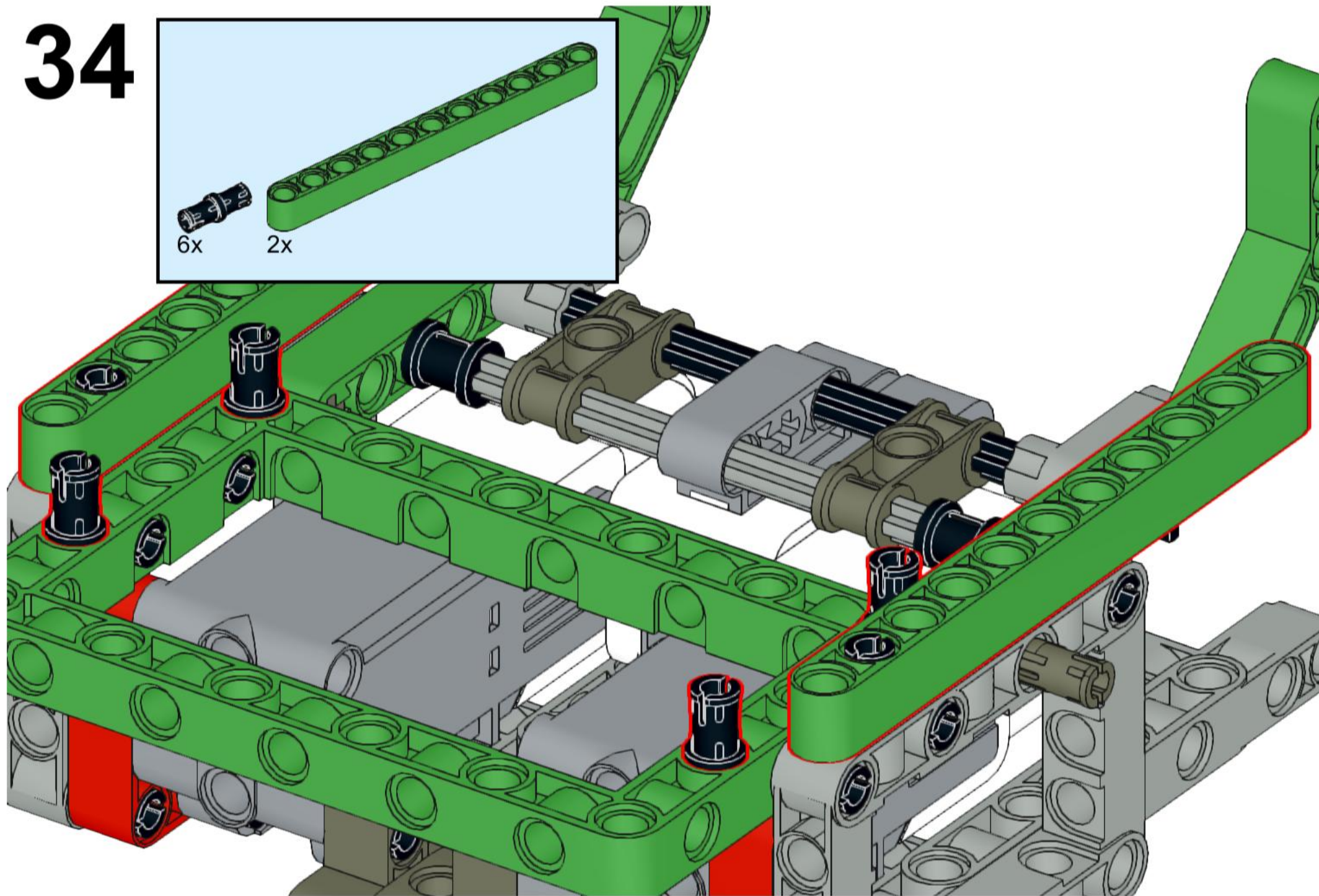
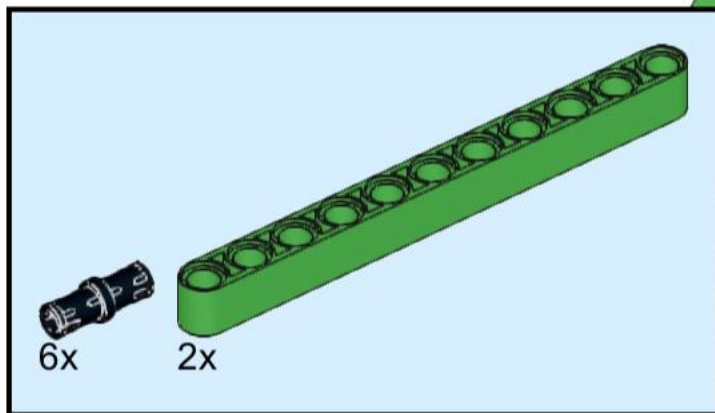




33

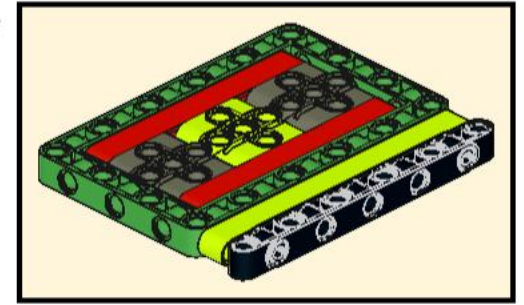
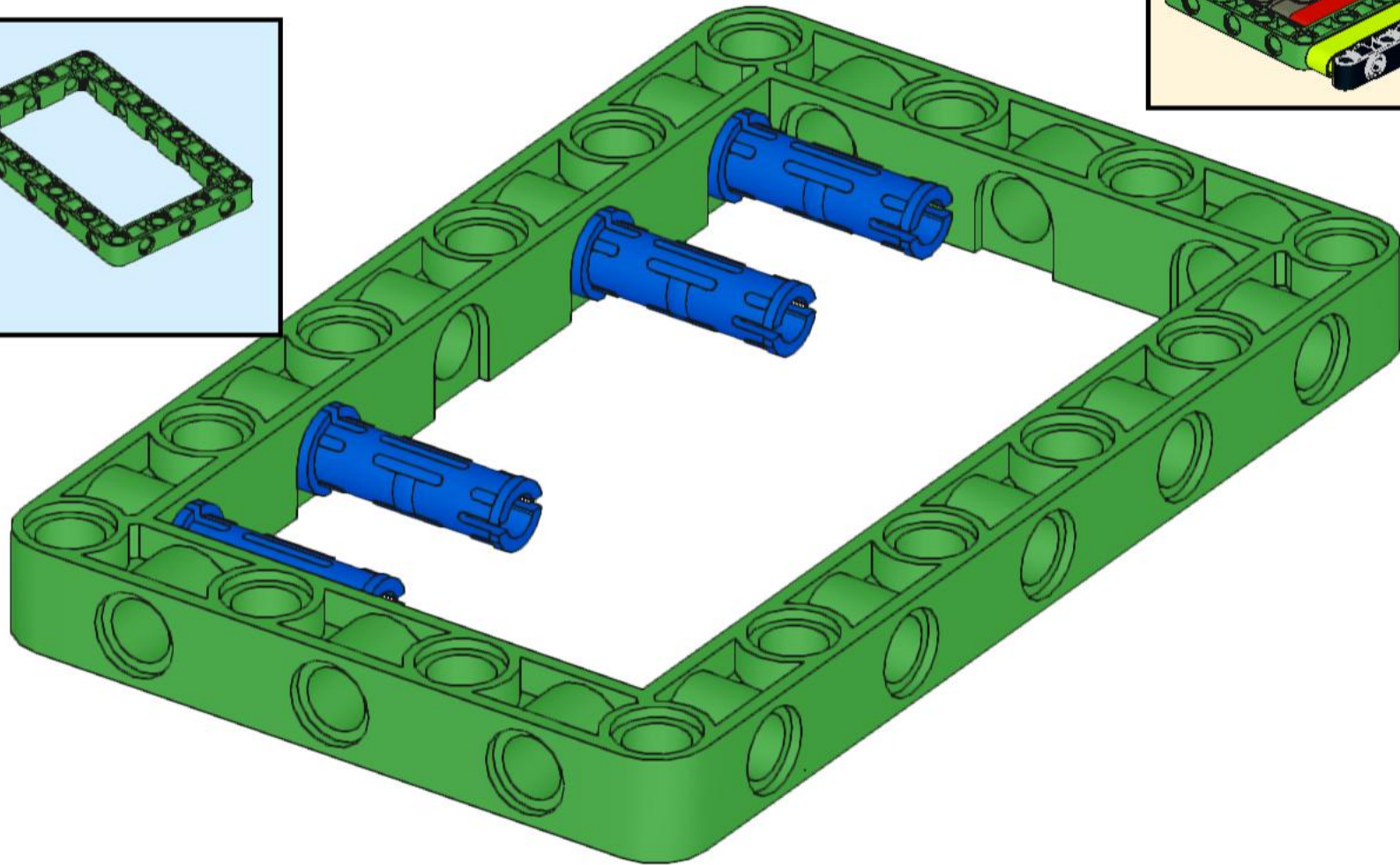
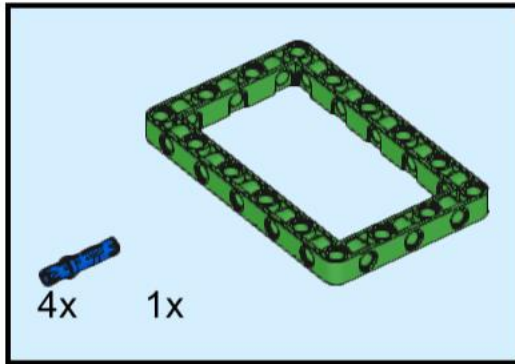


# 34

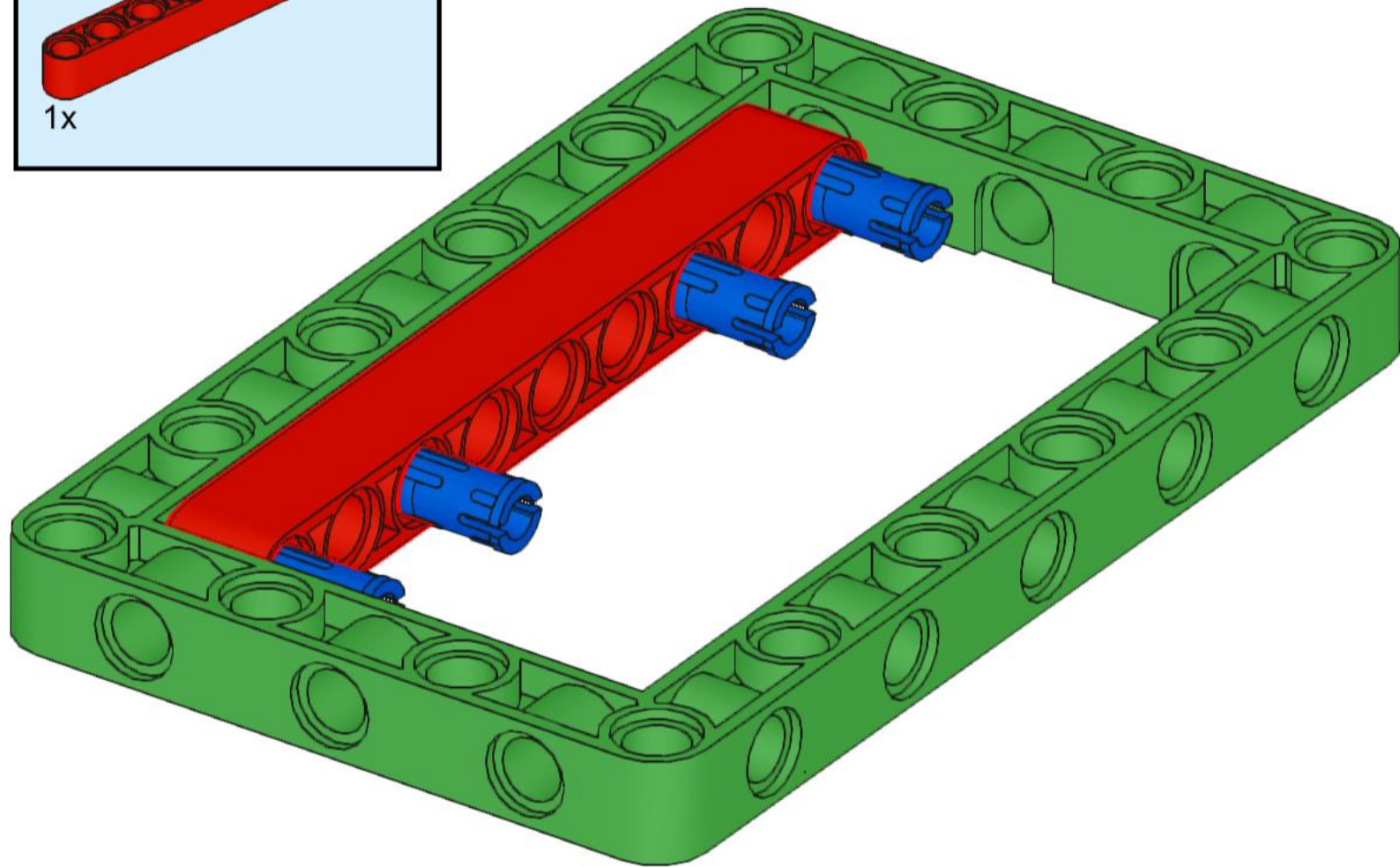
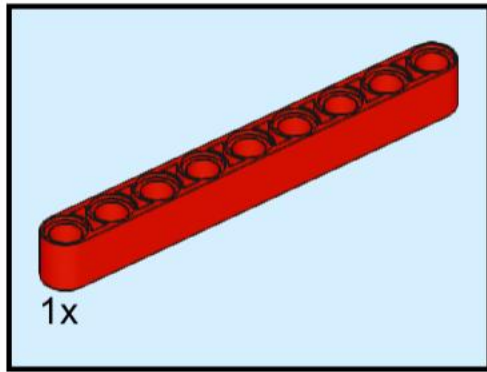


# 35

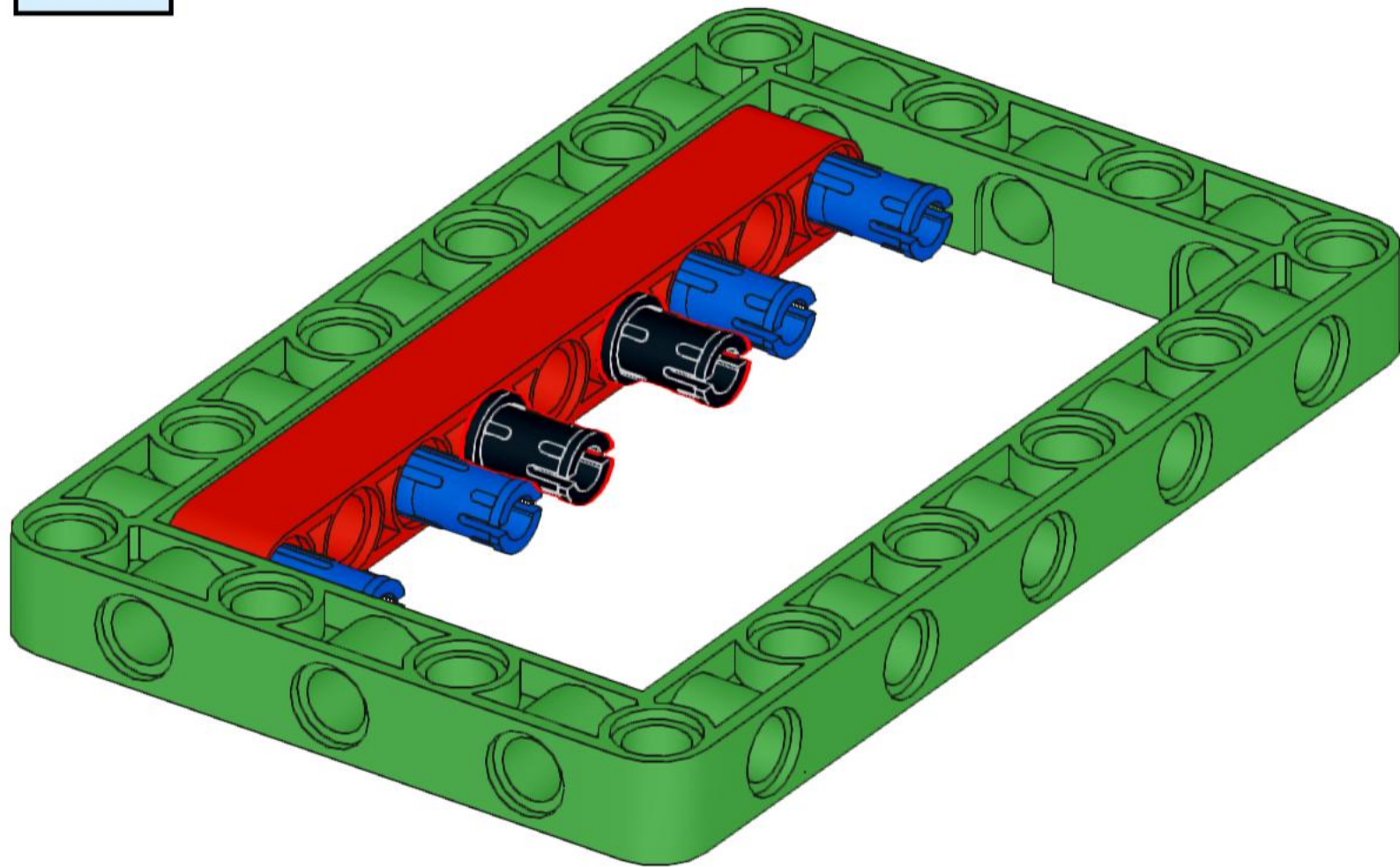
## Gear Plate Assembly



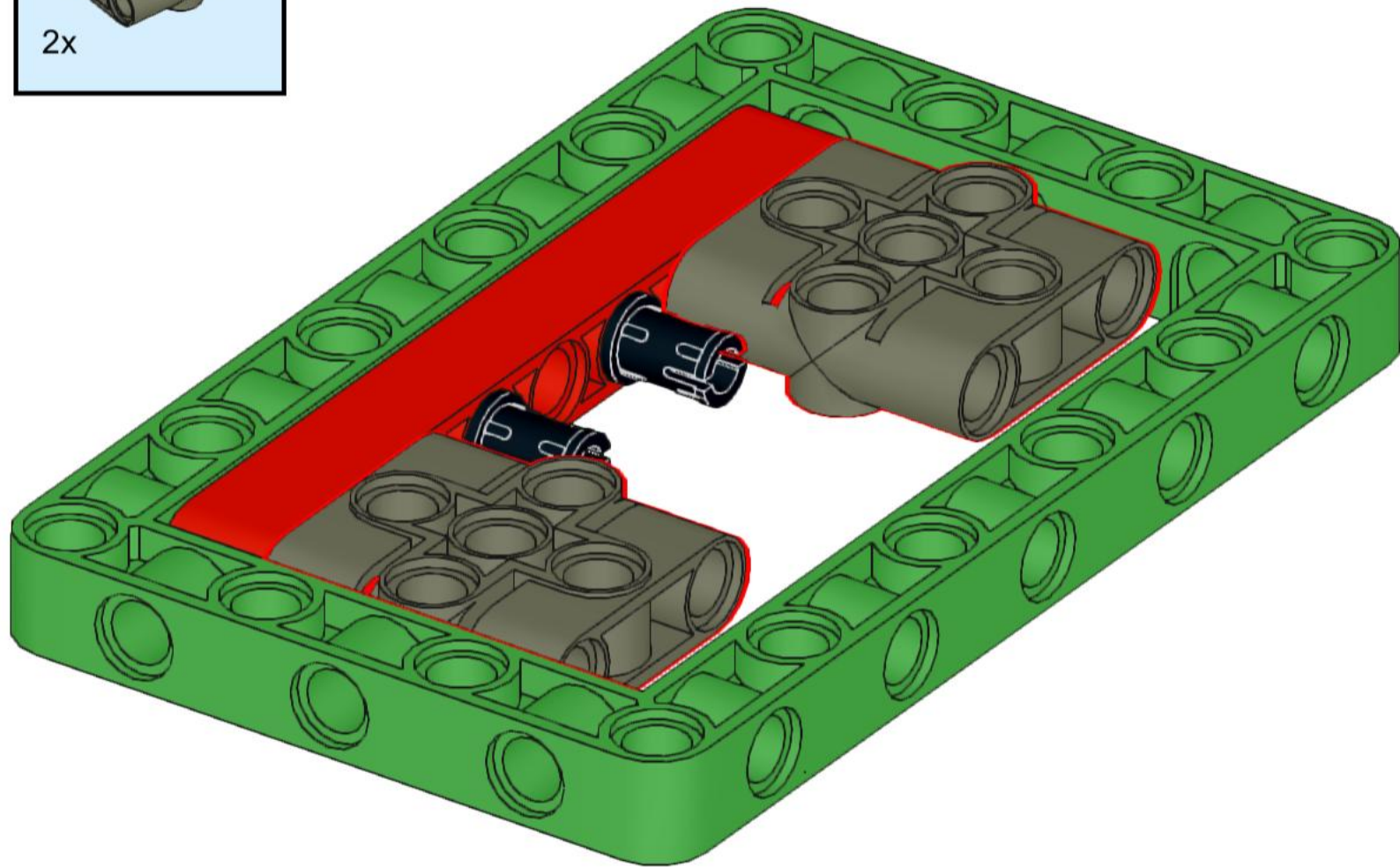
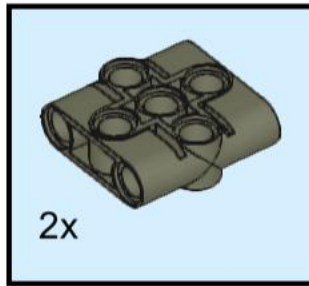
# 36



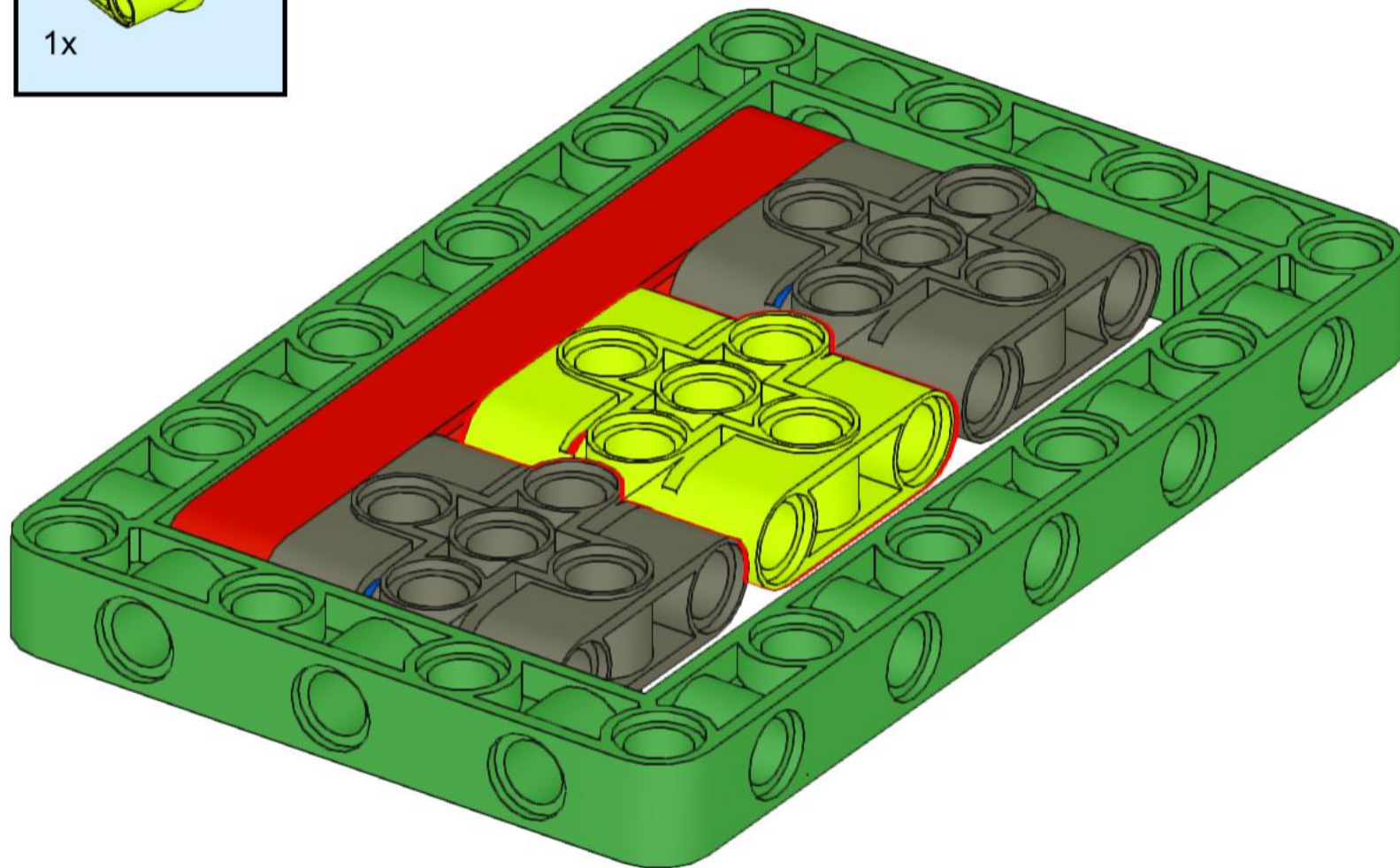
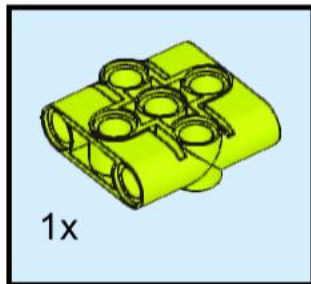
37



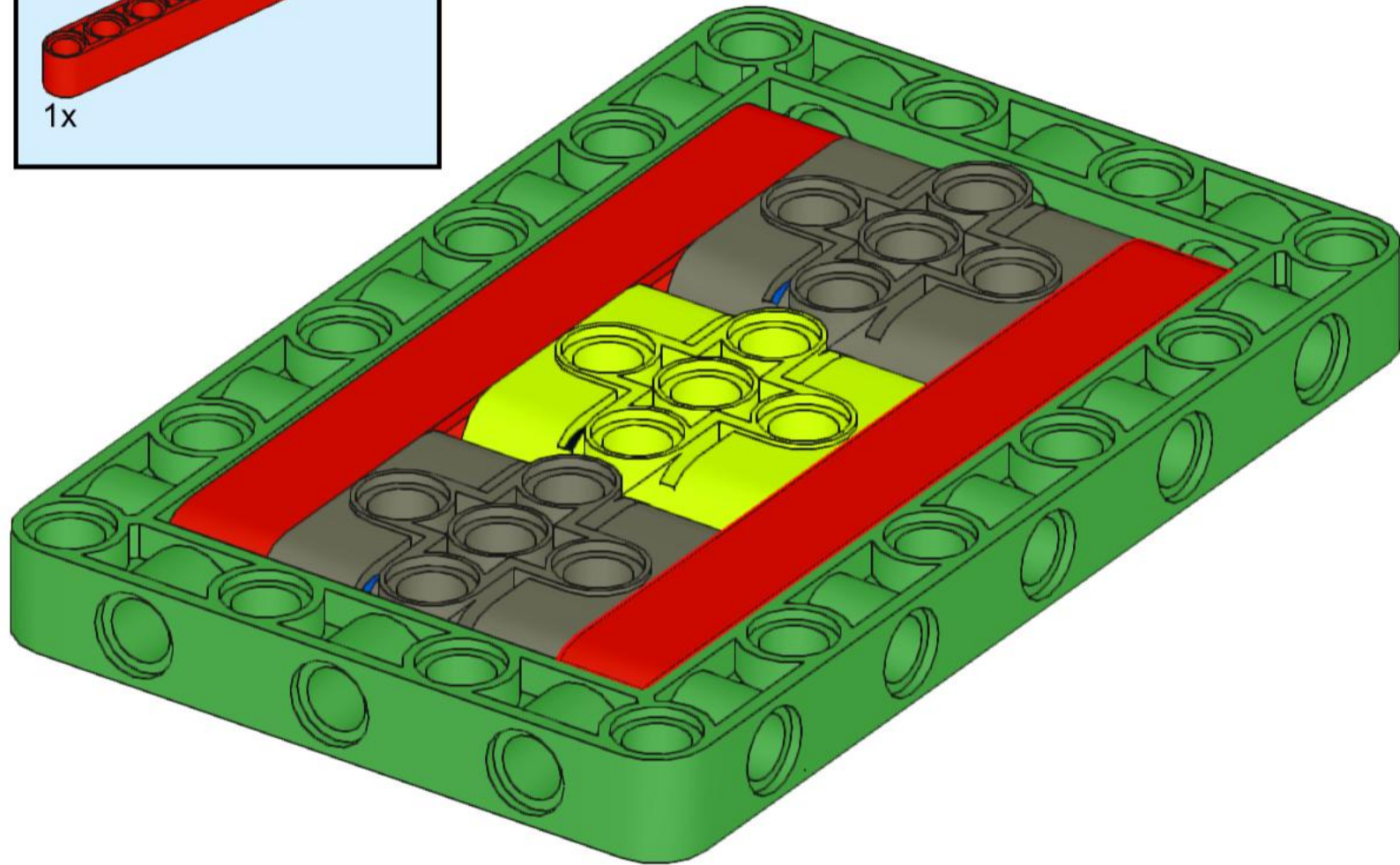
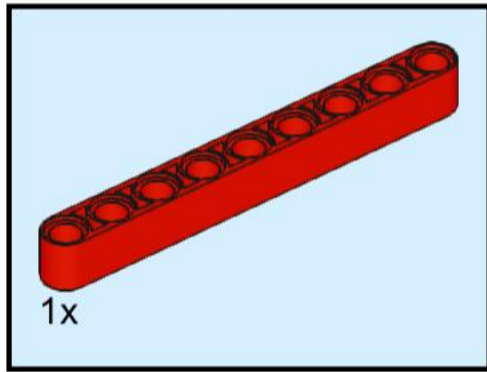
# 38



# 39

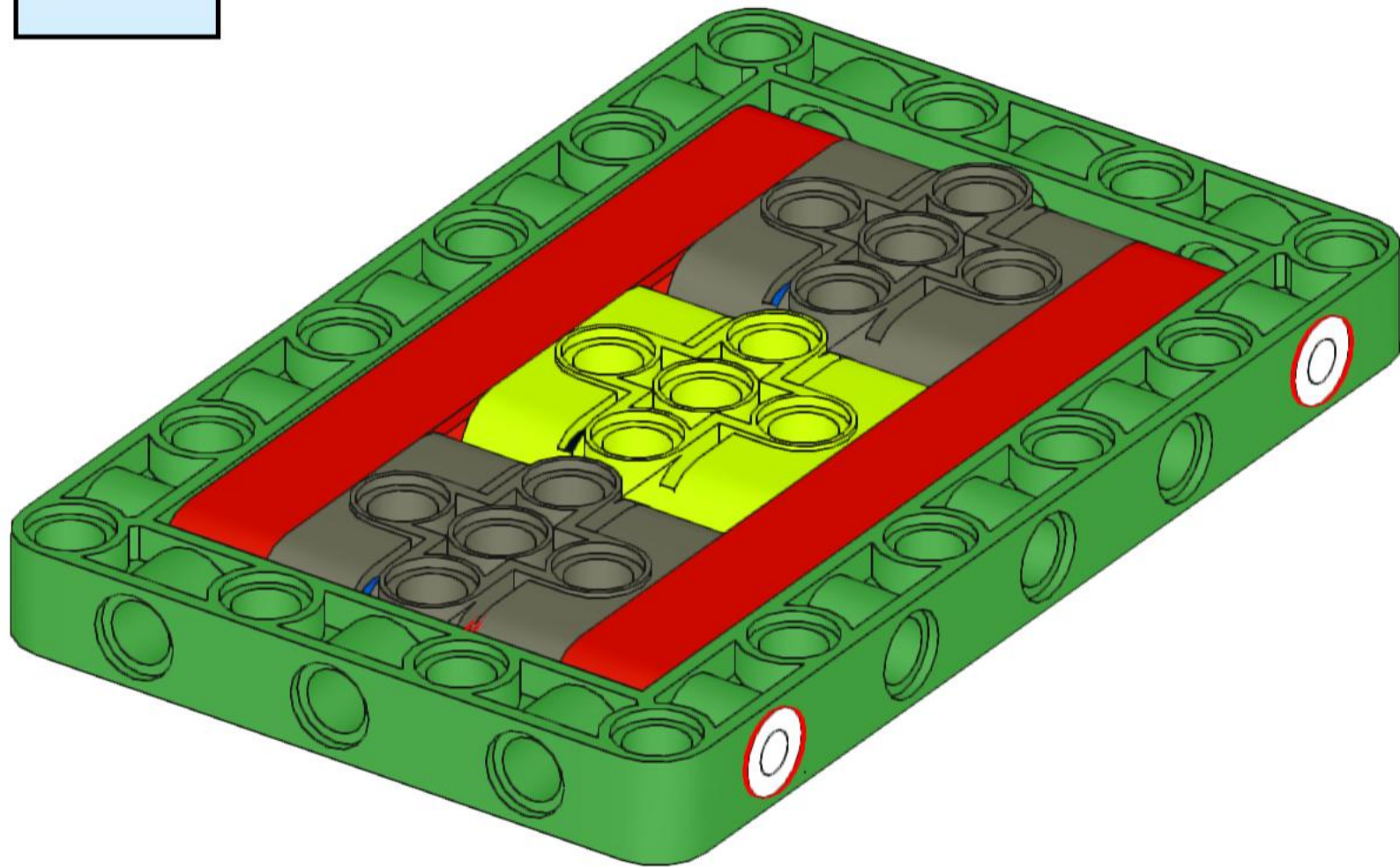
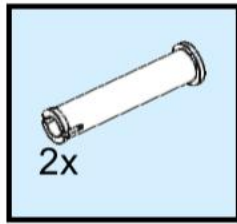


# 40

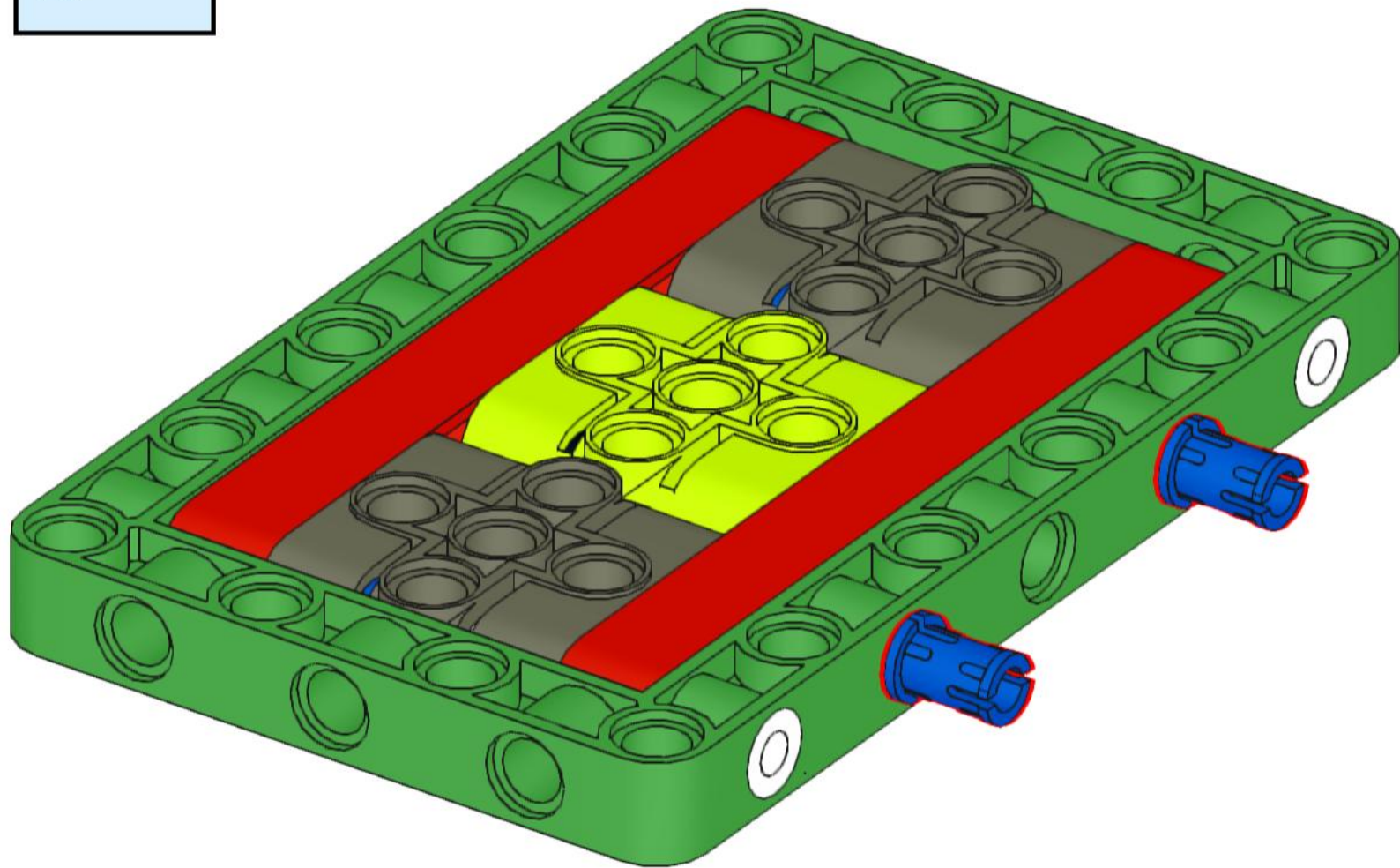
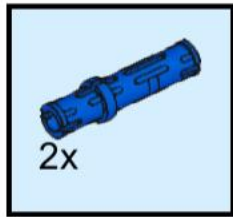




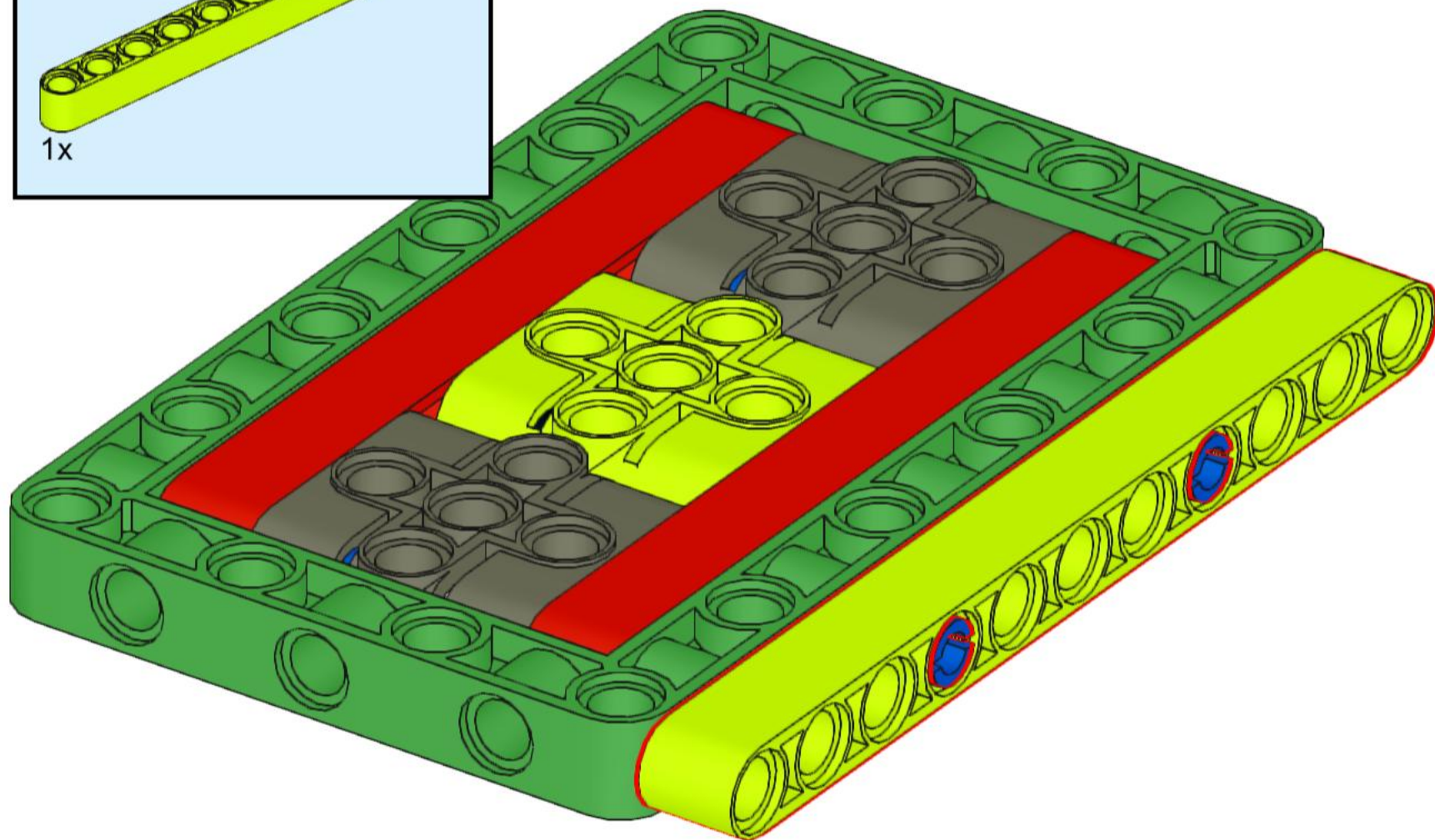
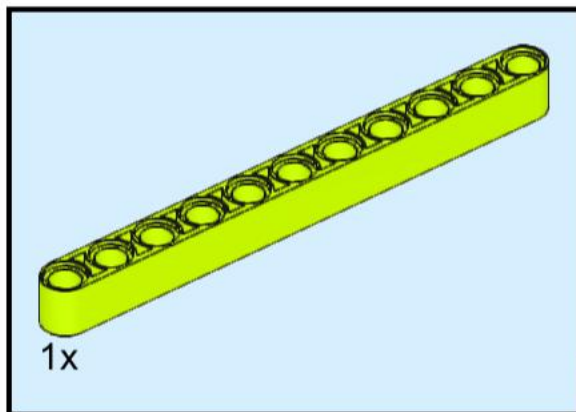
# 41



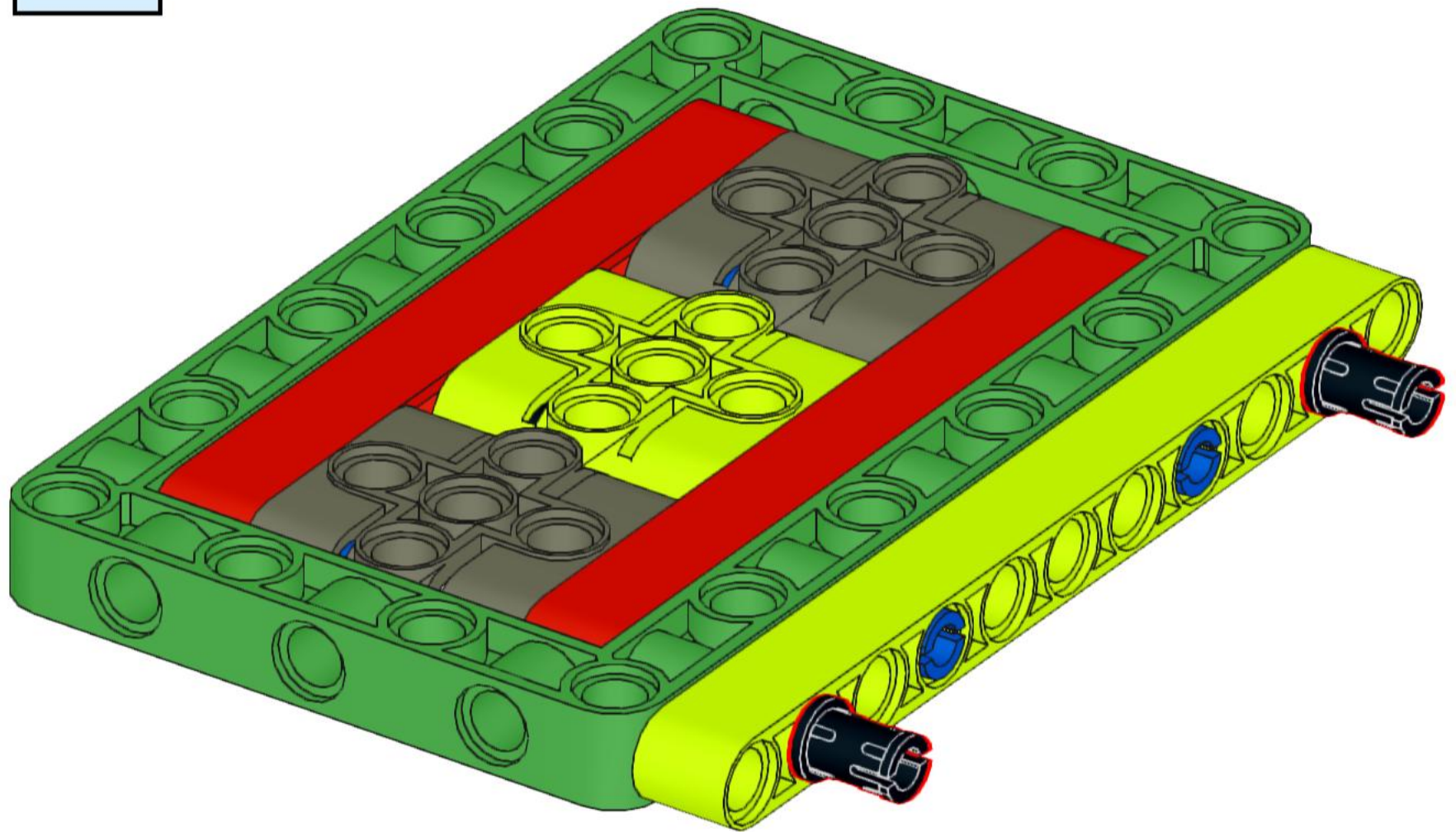
# 42



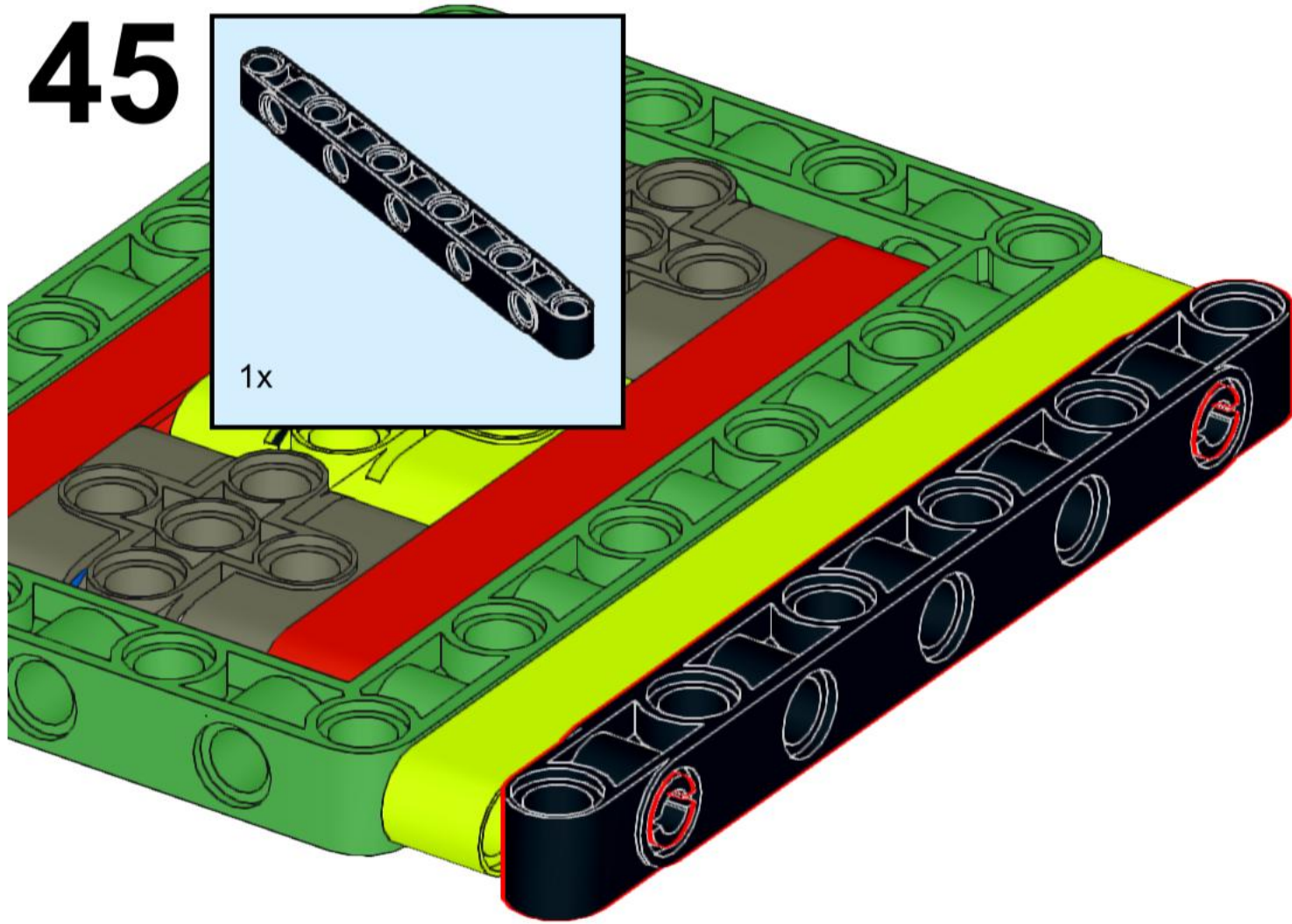
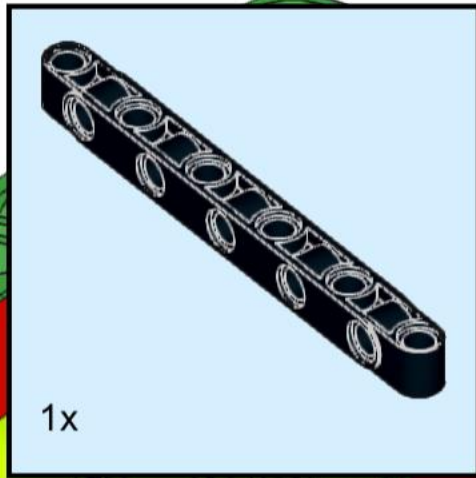
# 43



44

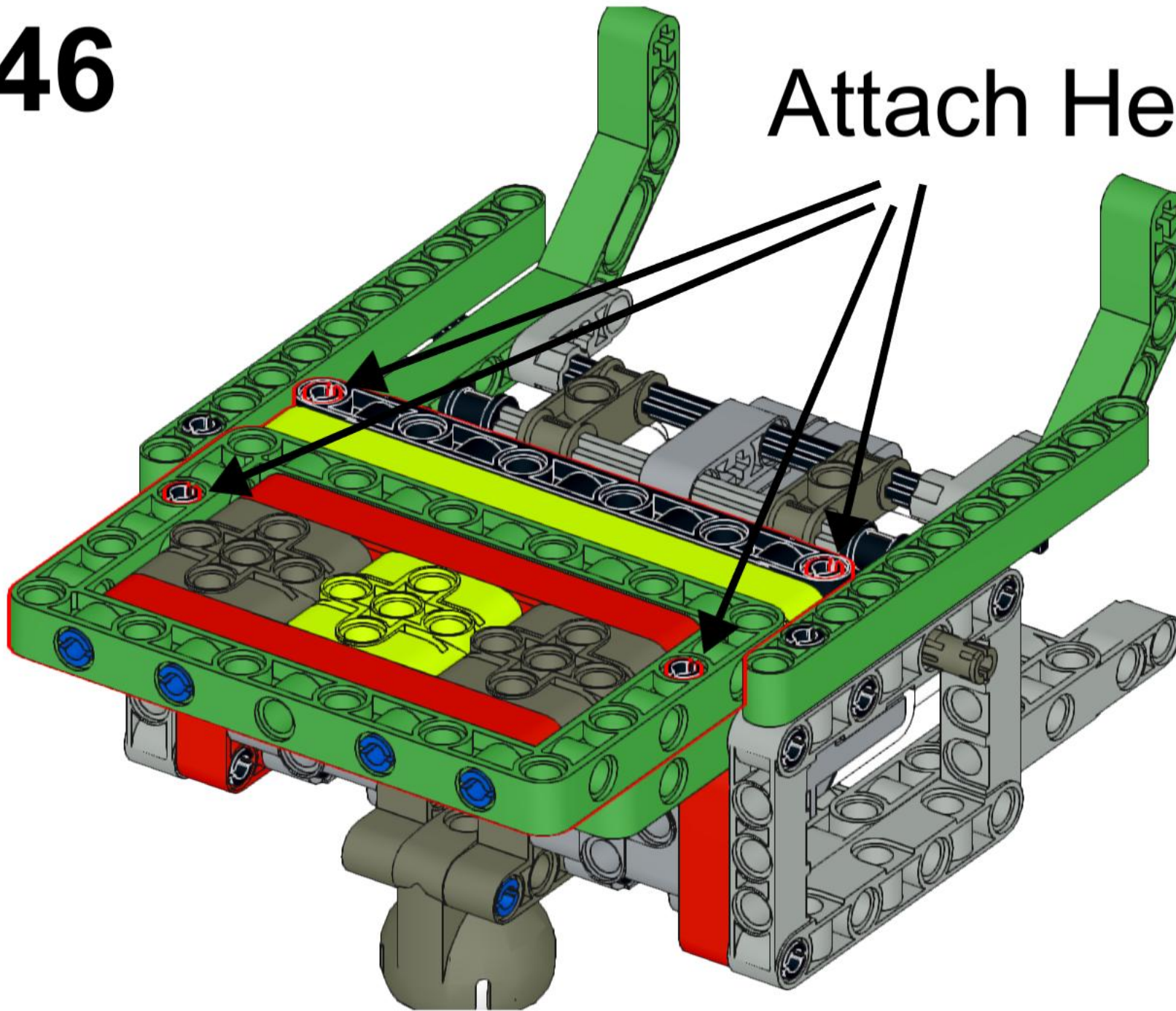


45

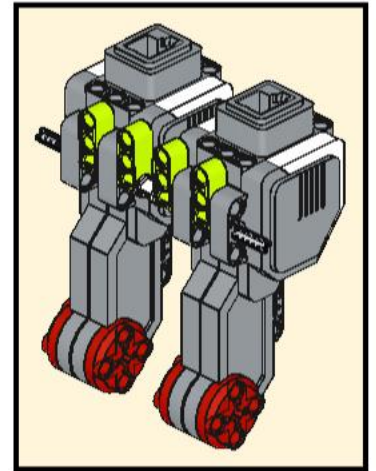
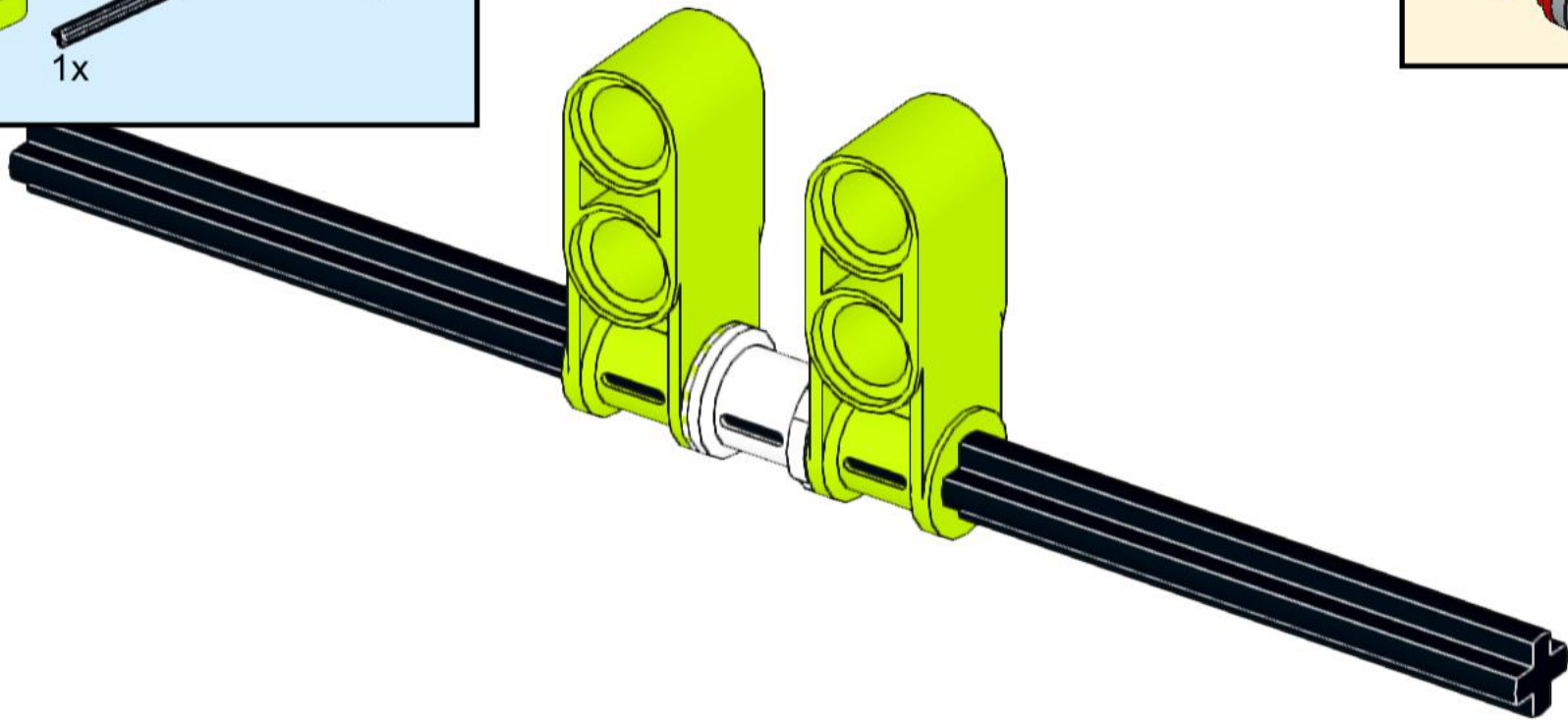
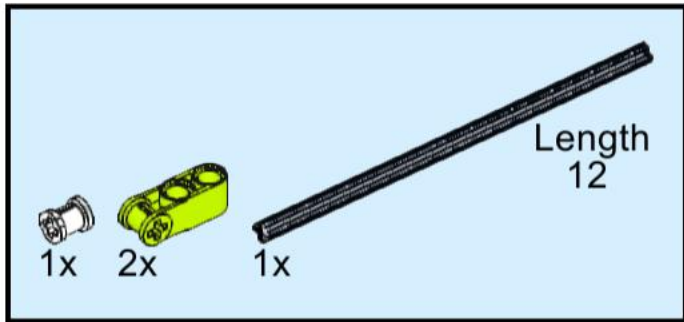


# 46

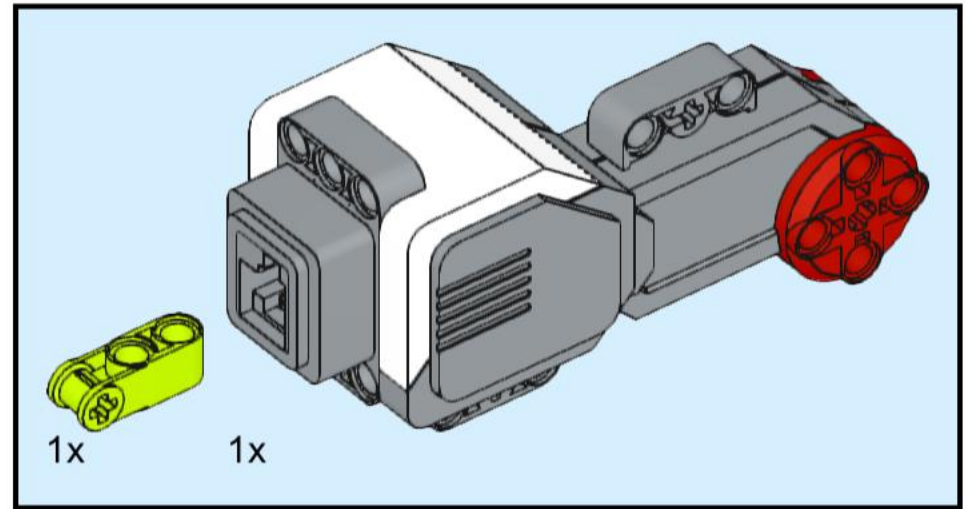
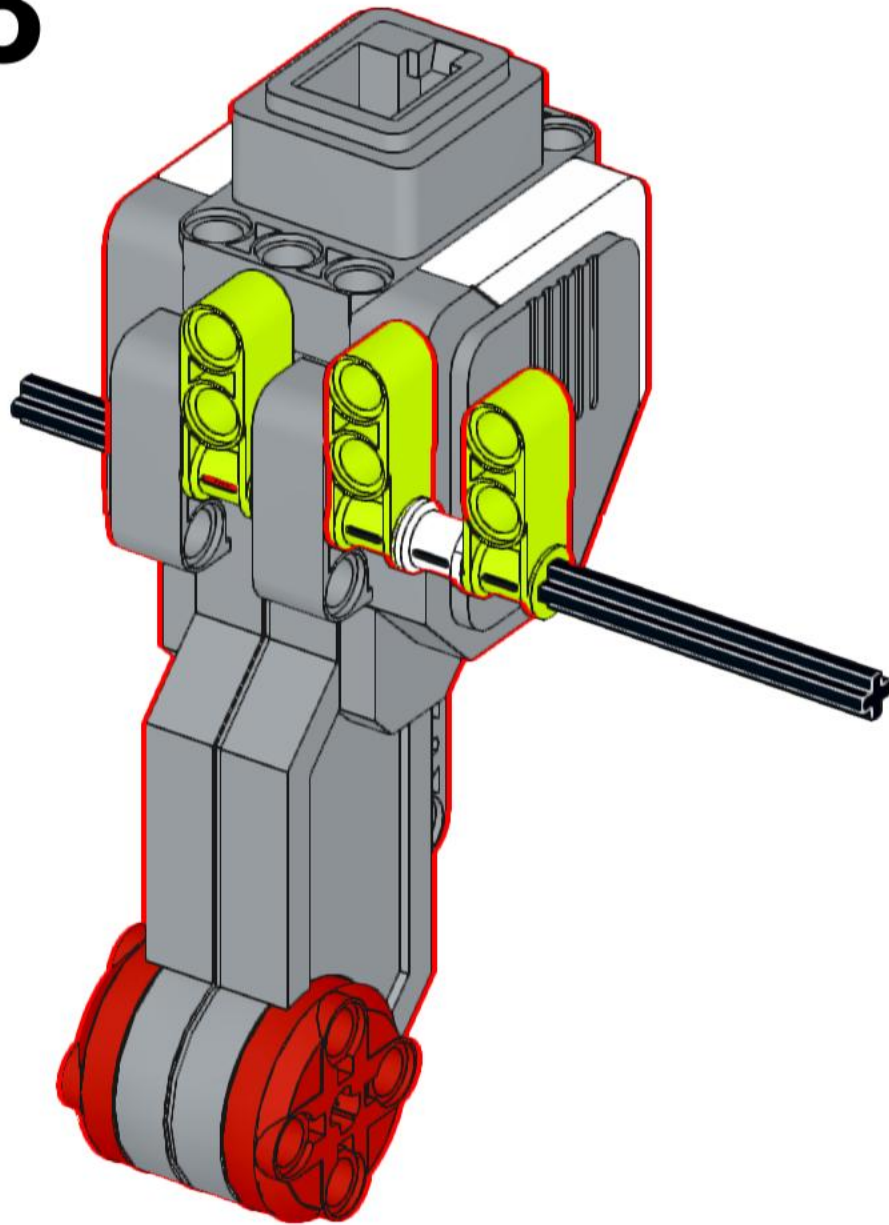
## Attach Here



# 47

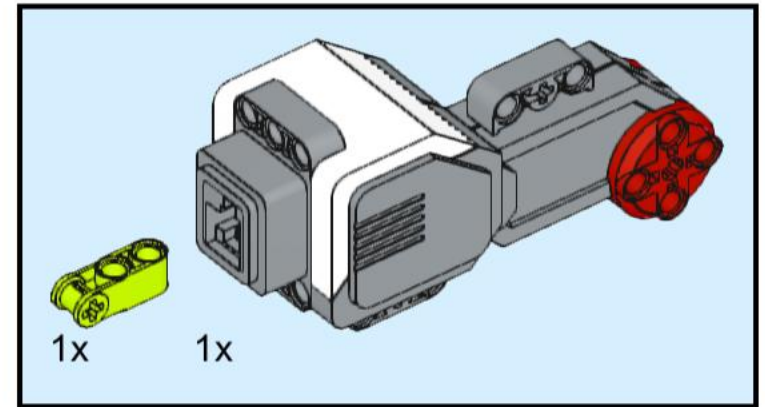
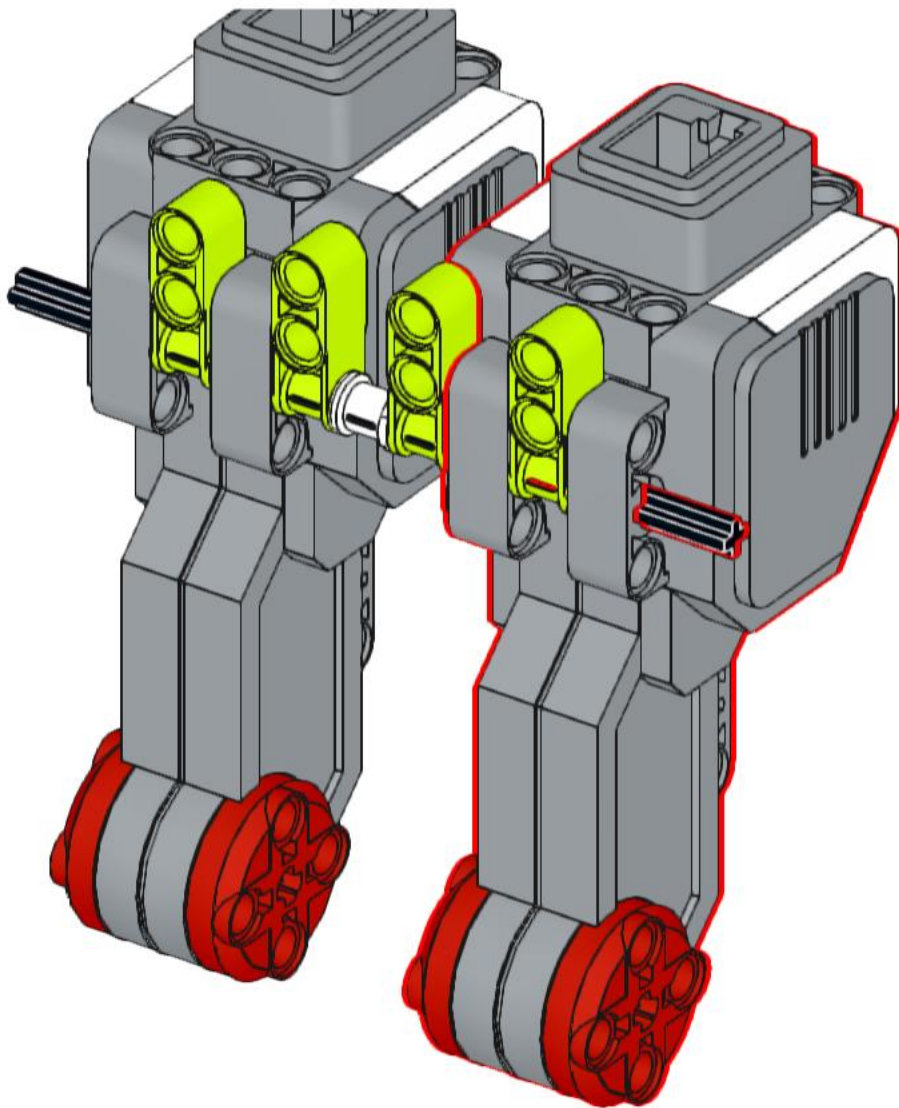


# 48

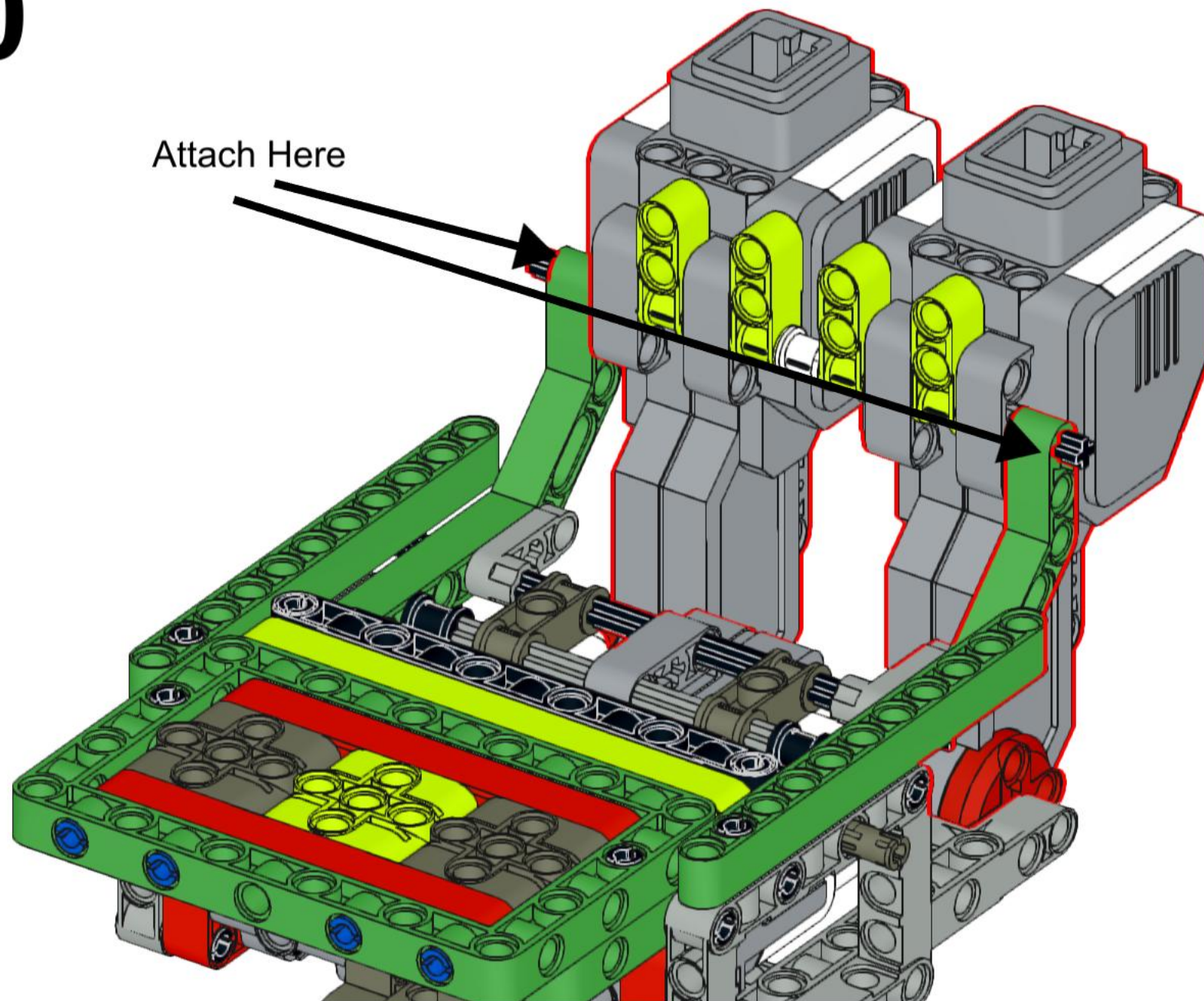




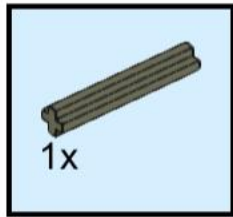
# 49



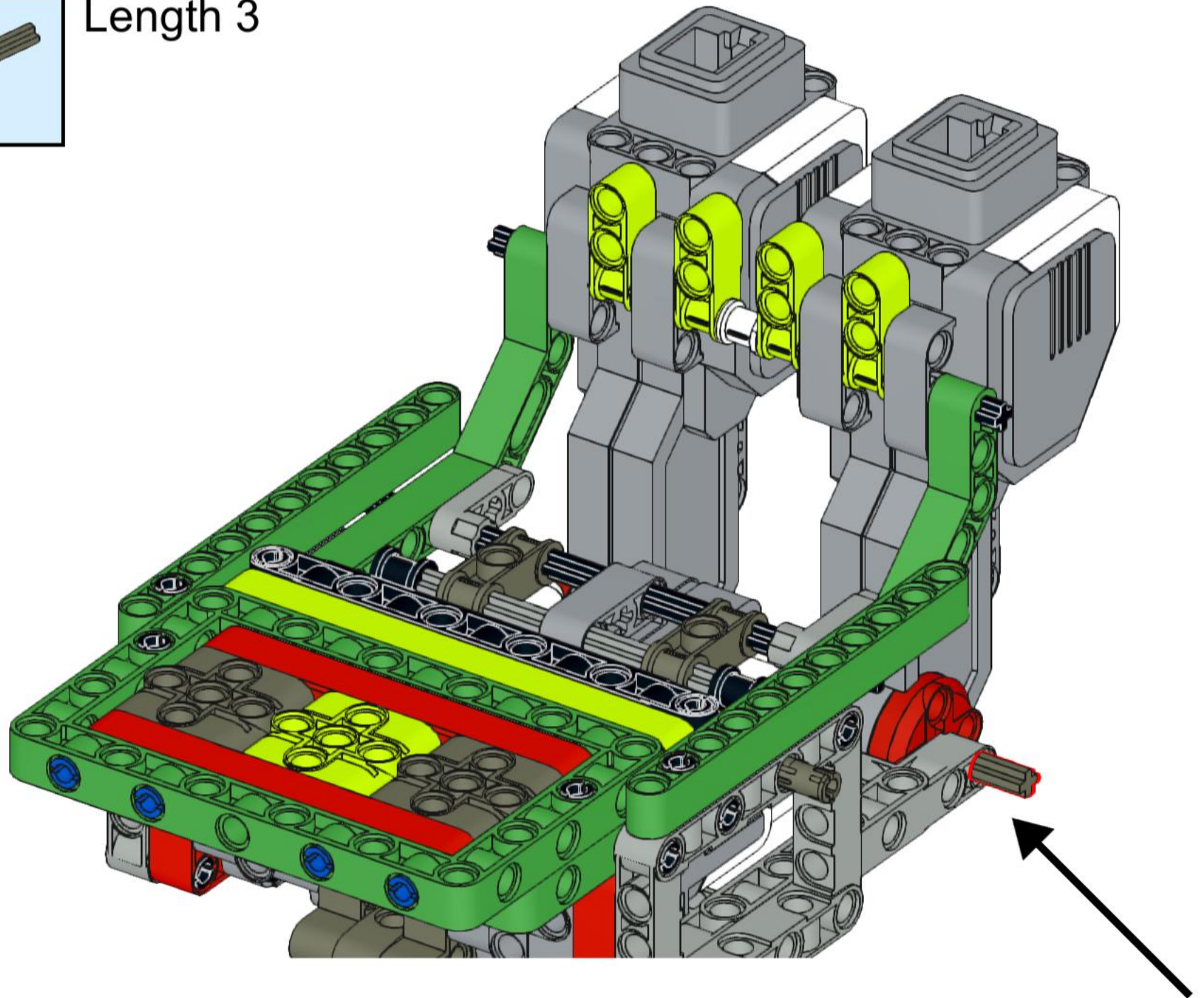
# 50



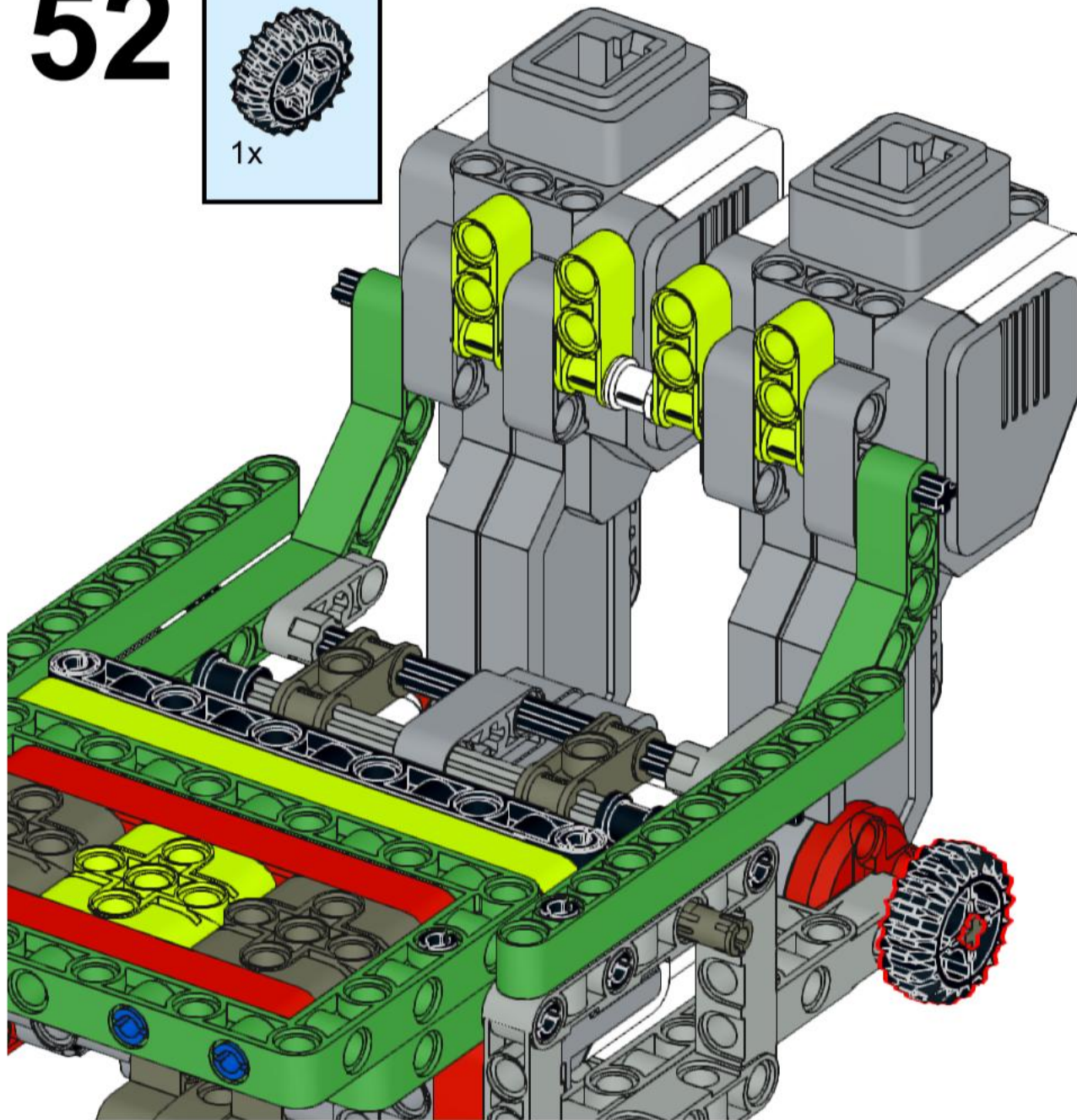
# 51



Length 3

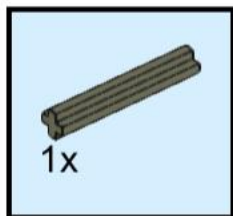


# 52

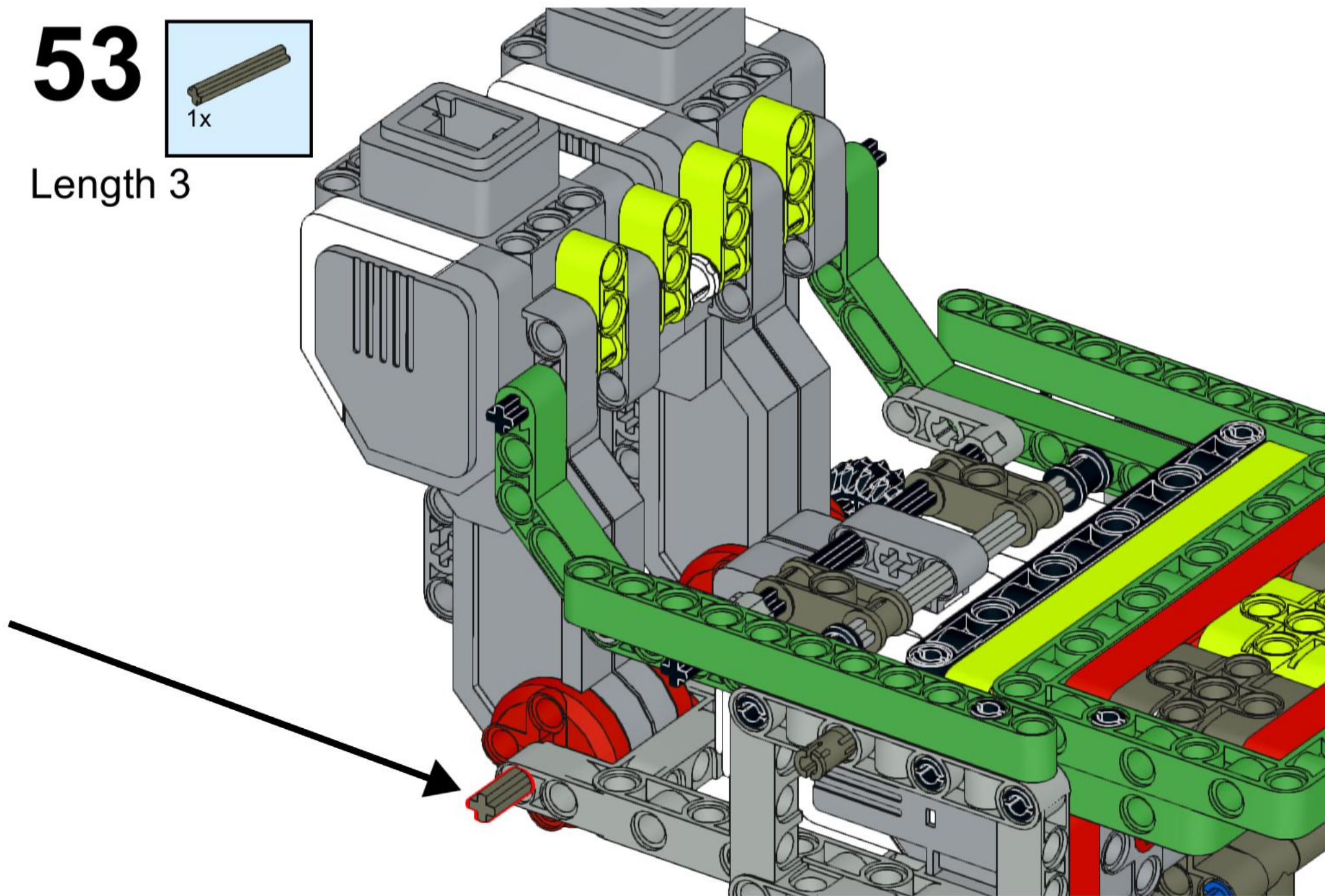


20 tooth  
bevelled gear

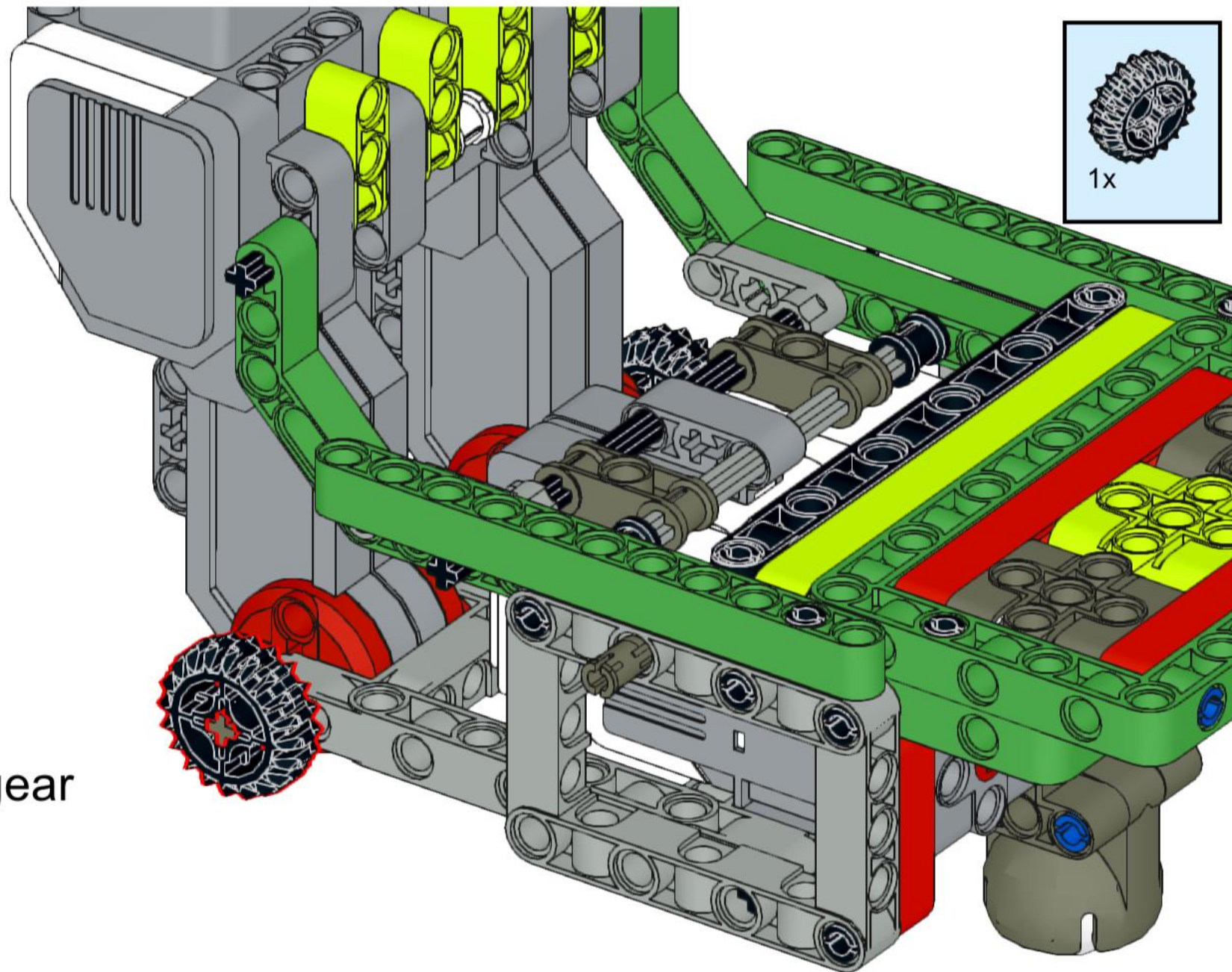
# 53



Length 3

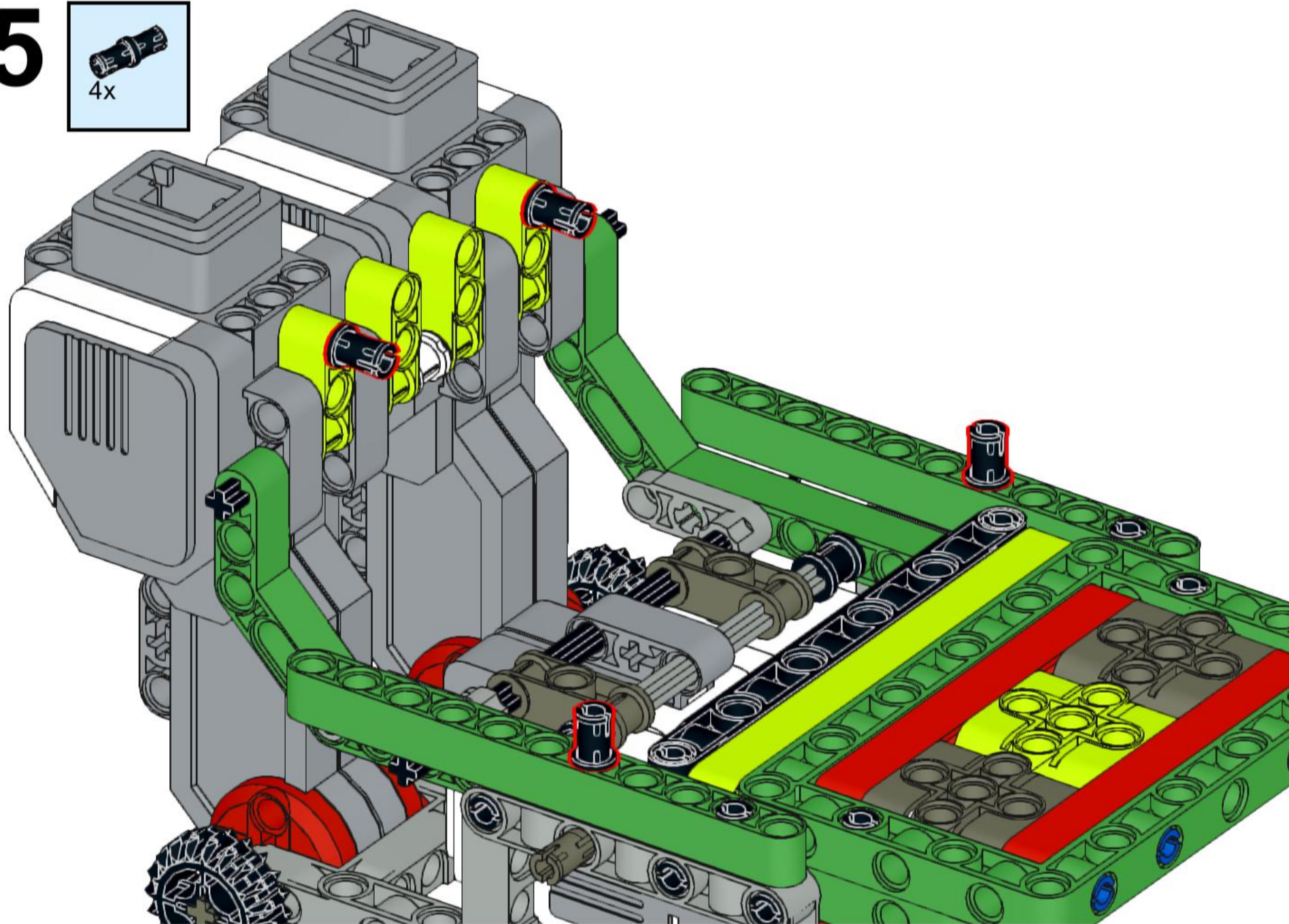


# 54

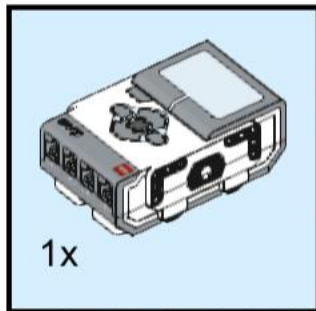


20 tooth  
bevelled gear

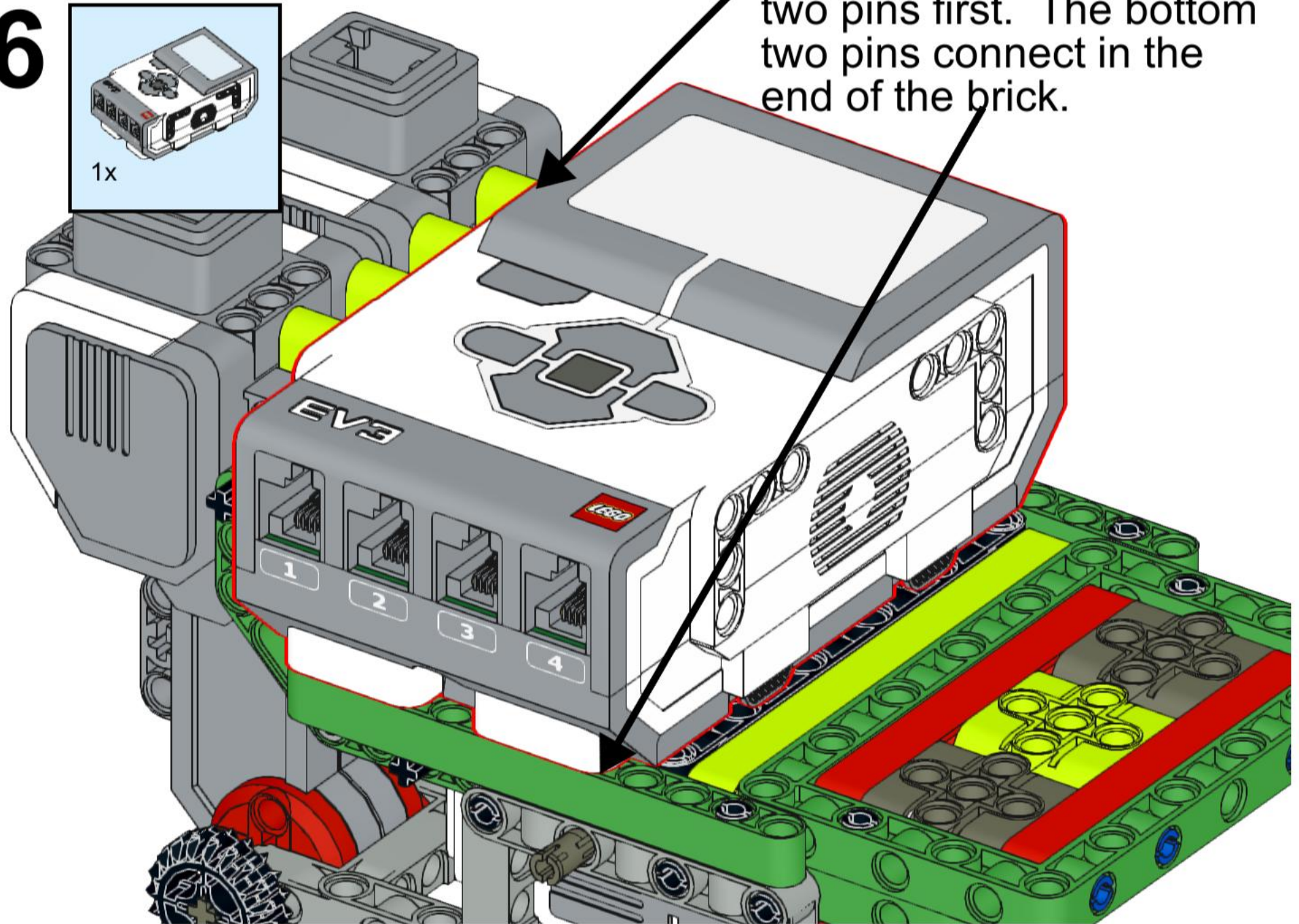
# 55



# 56

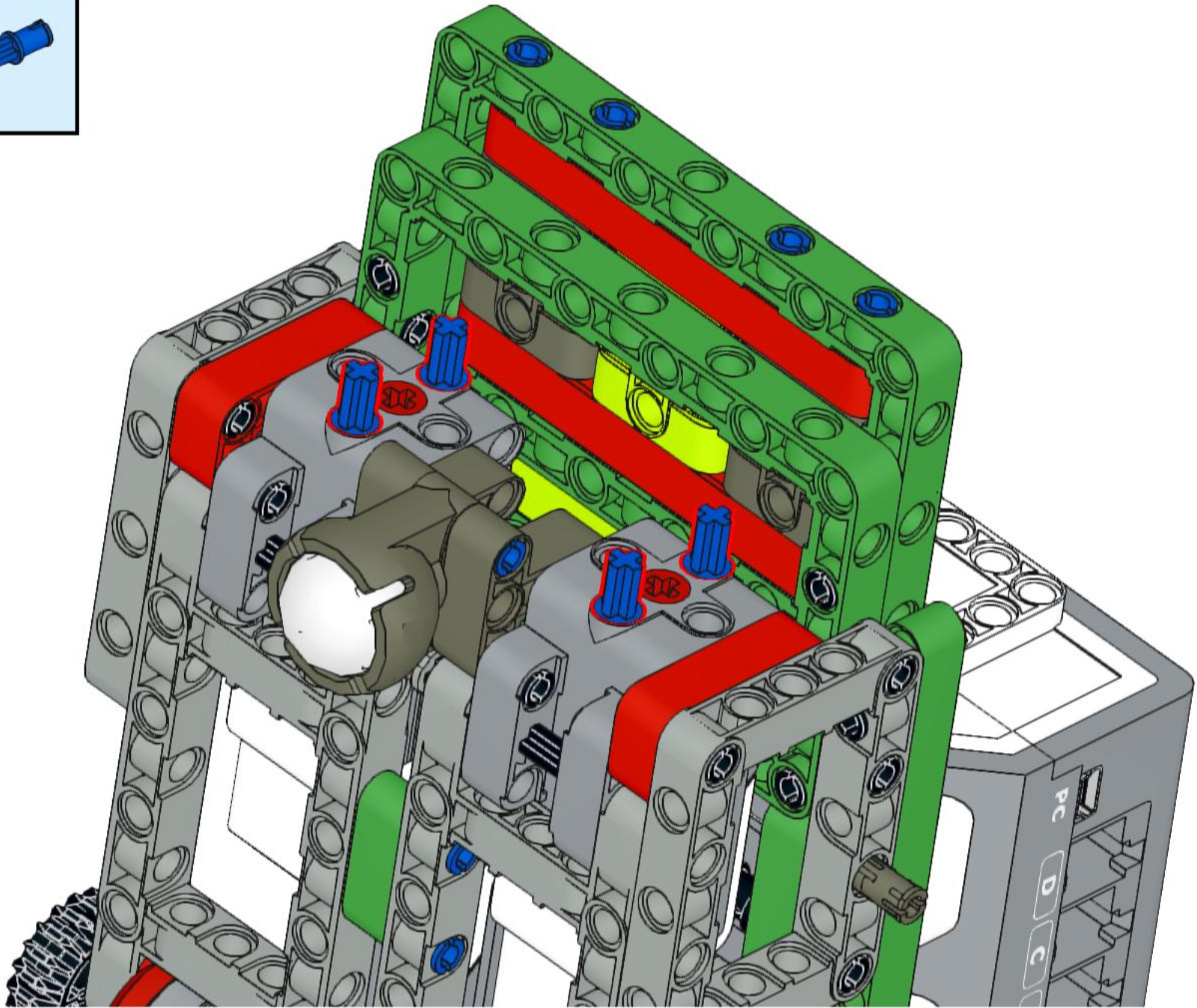
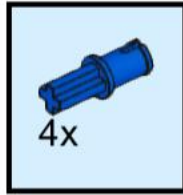


Insert the brick at the top two pins first. The bottom two pins connect in the end of the brick.

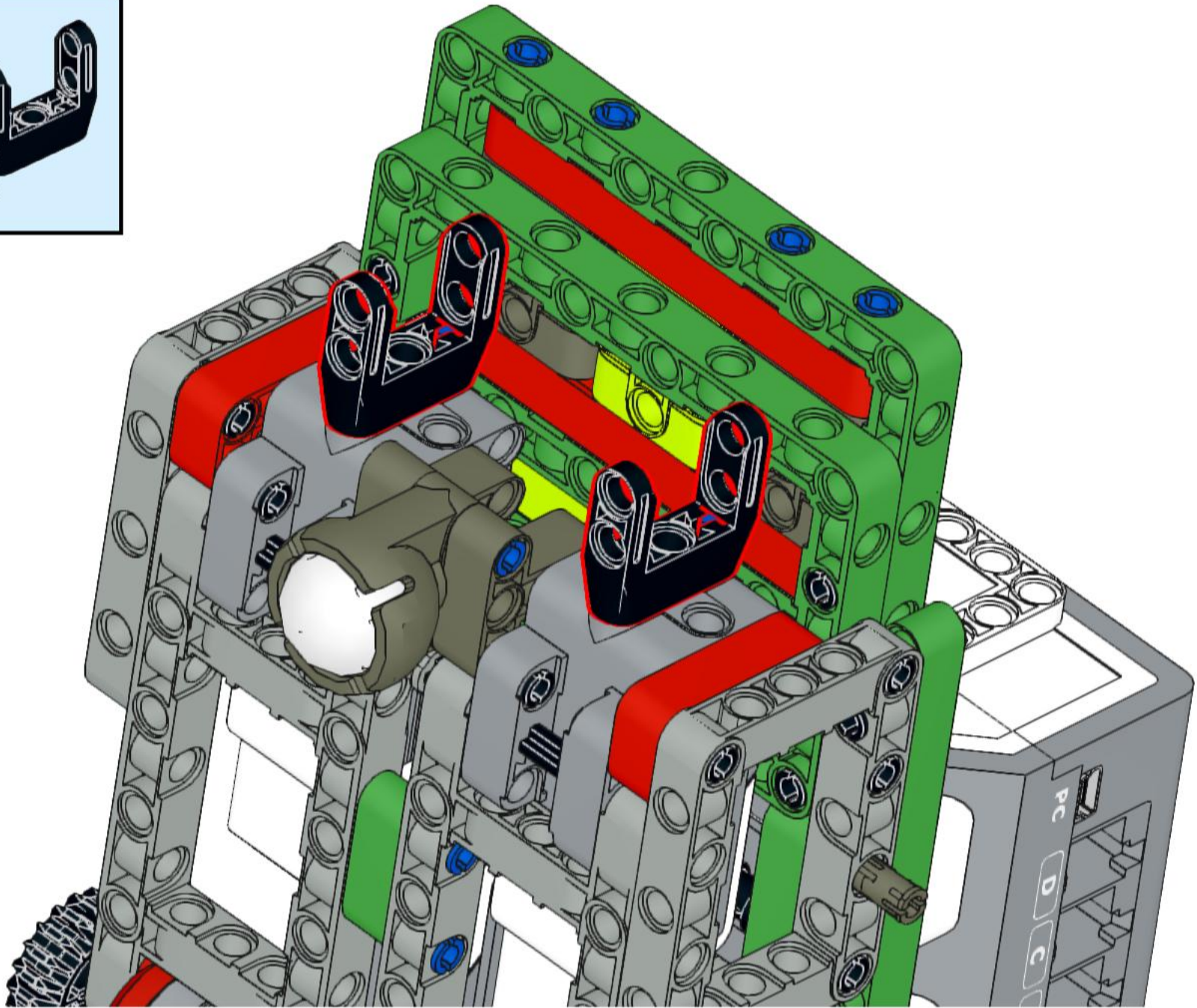
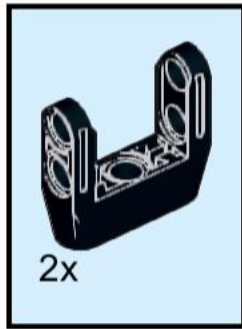




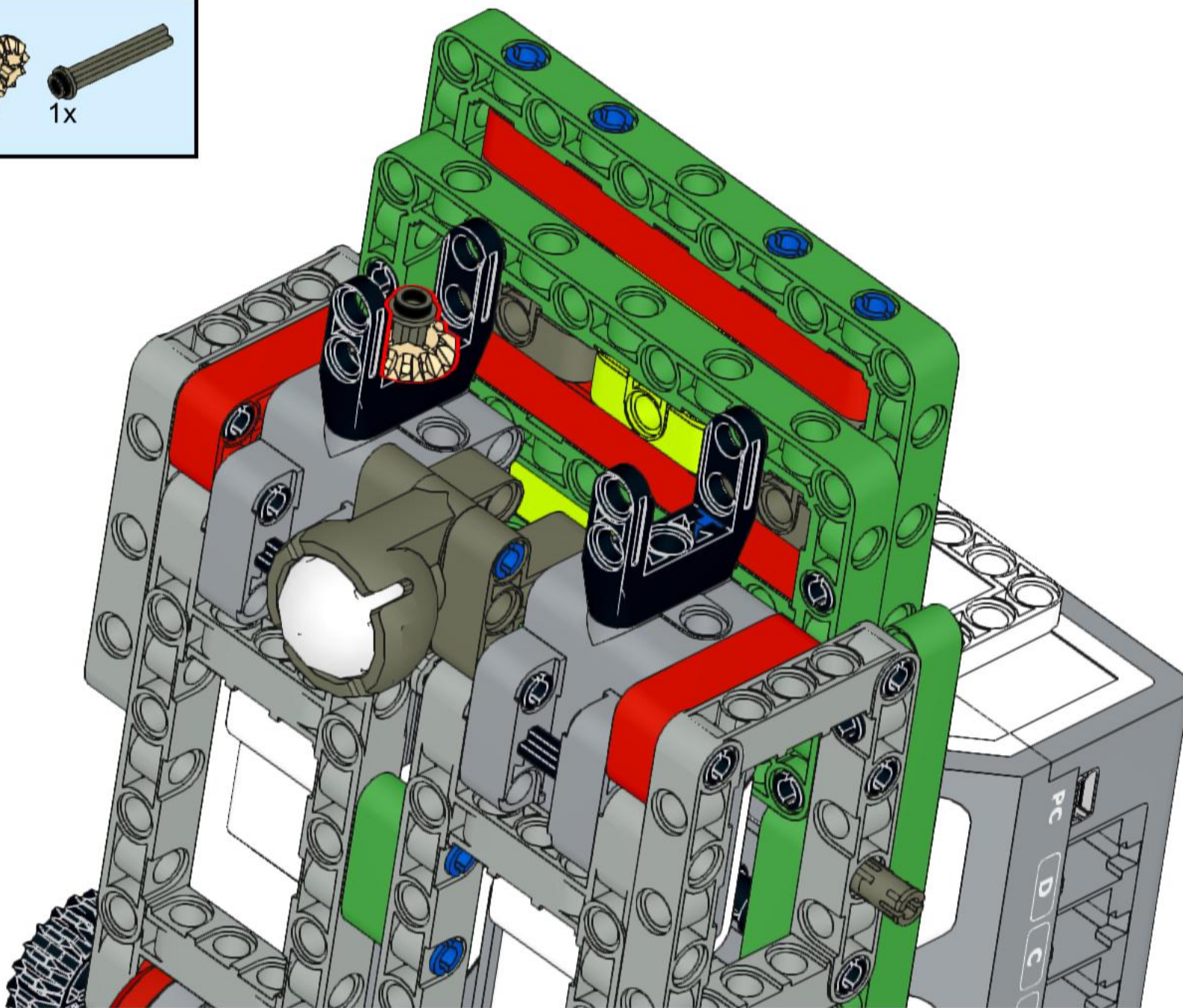
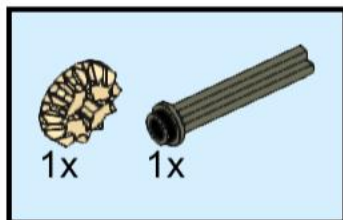
# 57



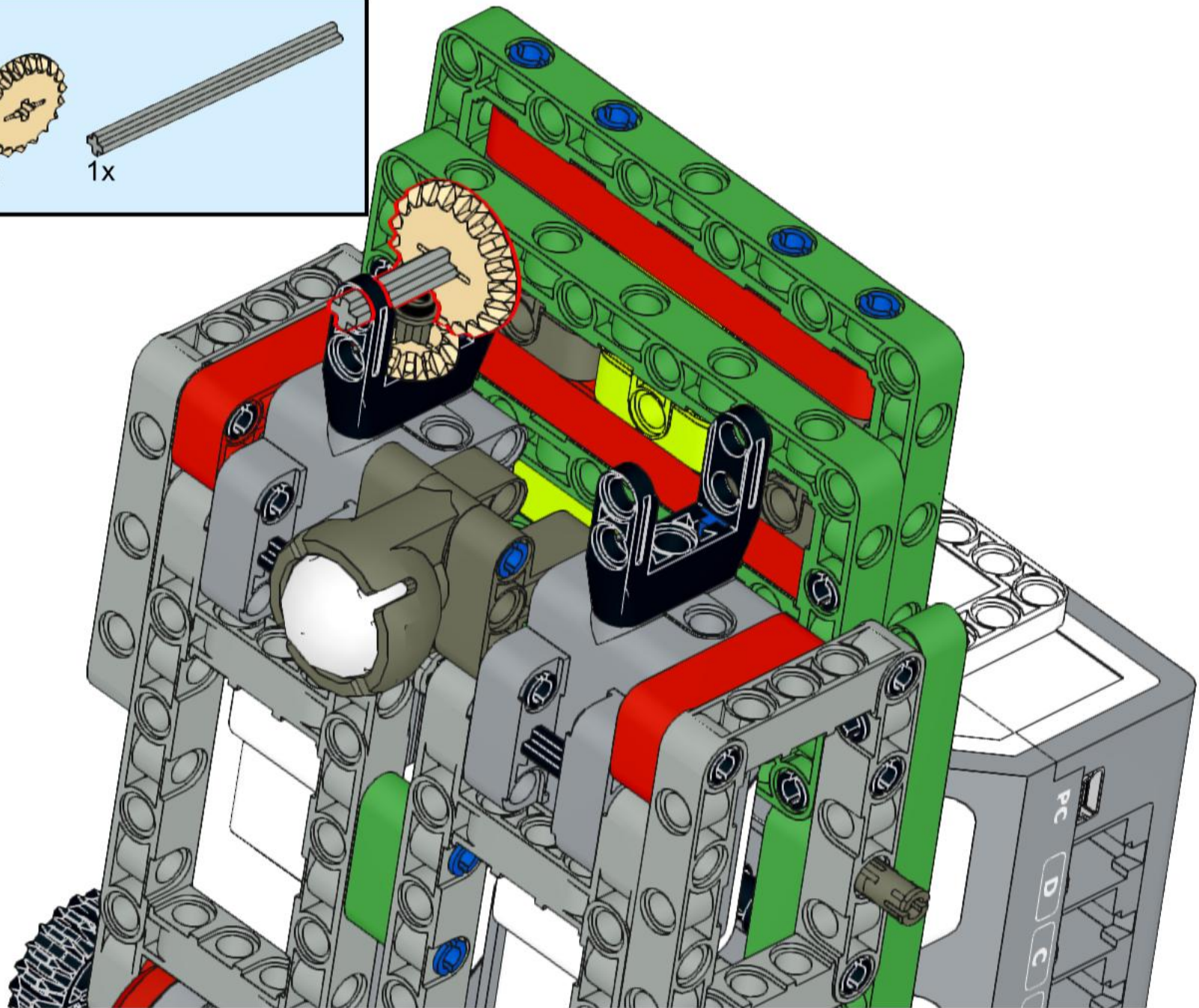
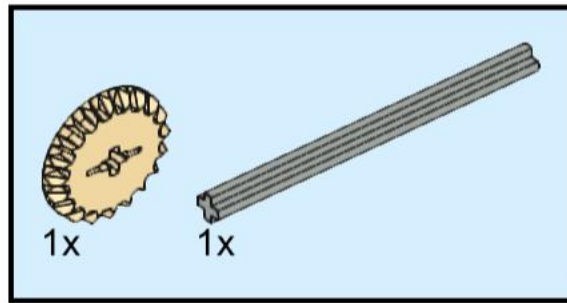
# 58



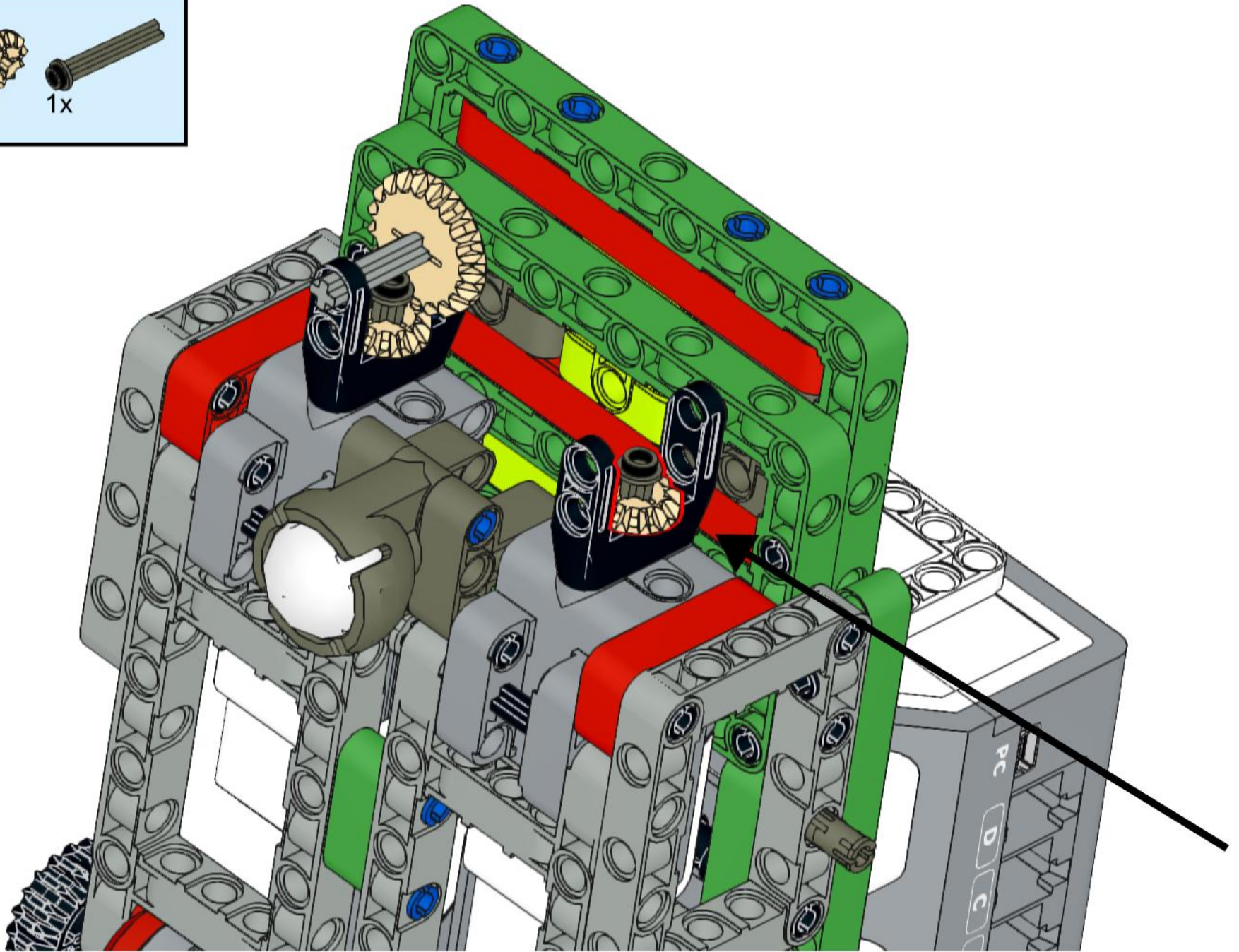
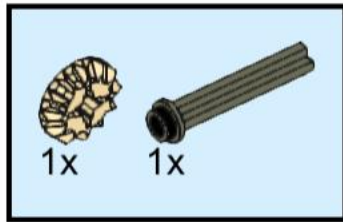
# 59



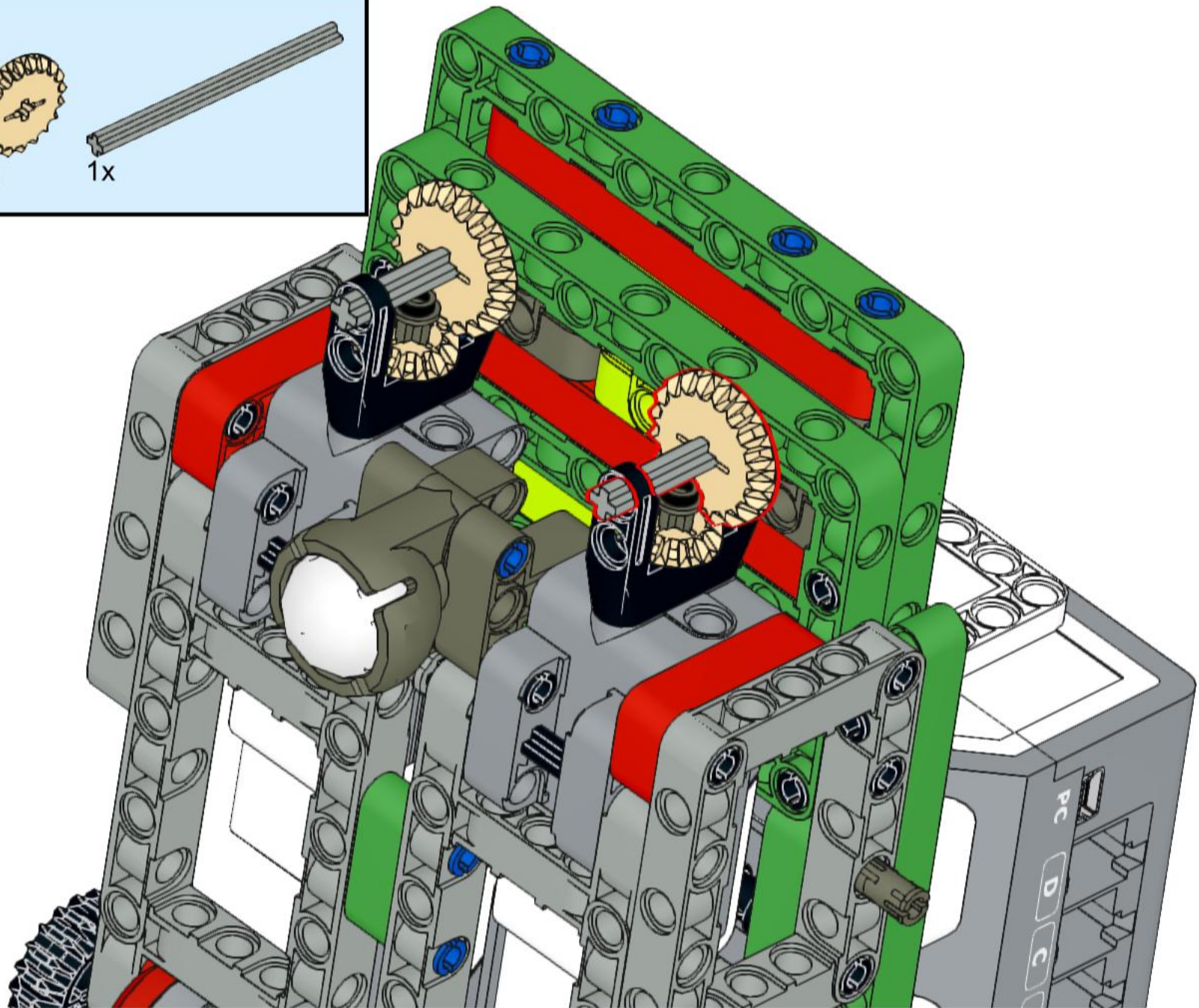
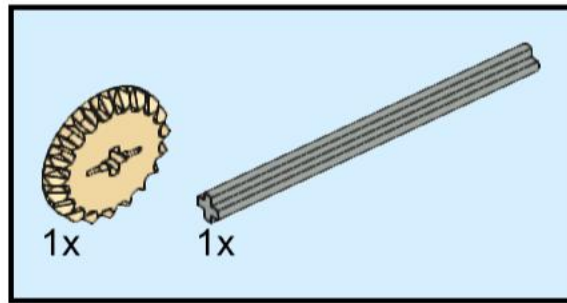
# 60



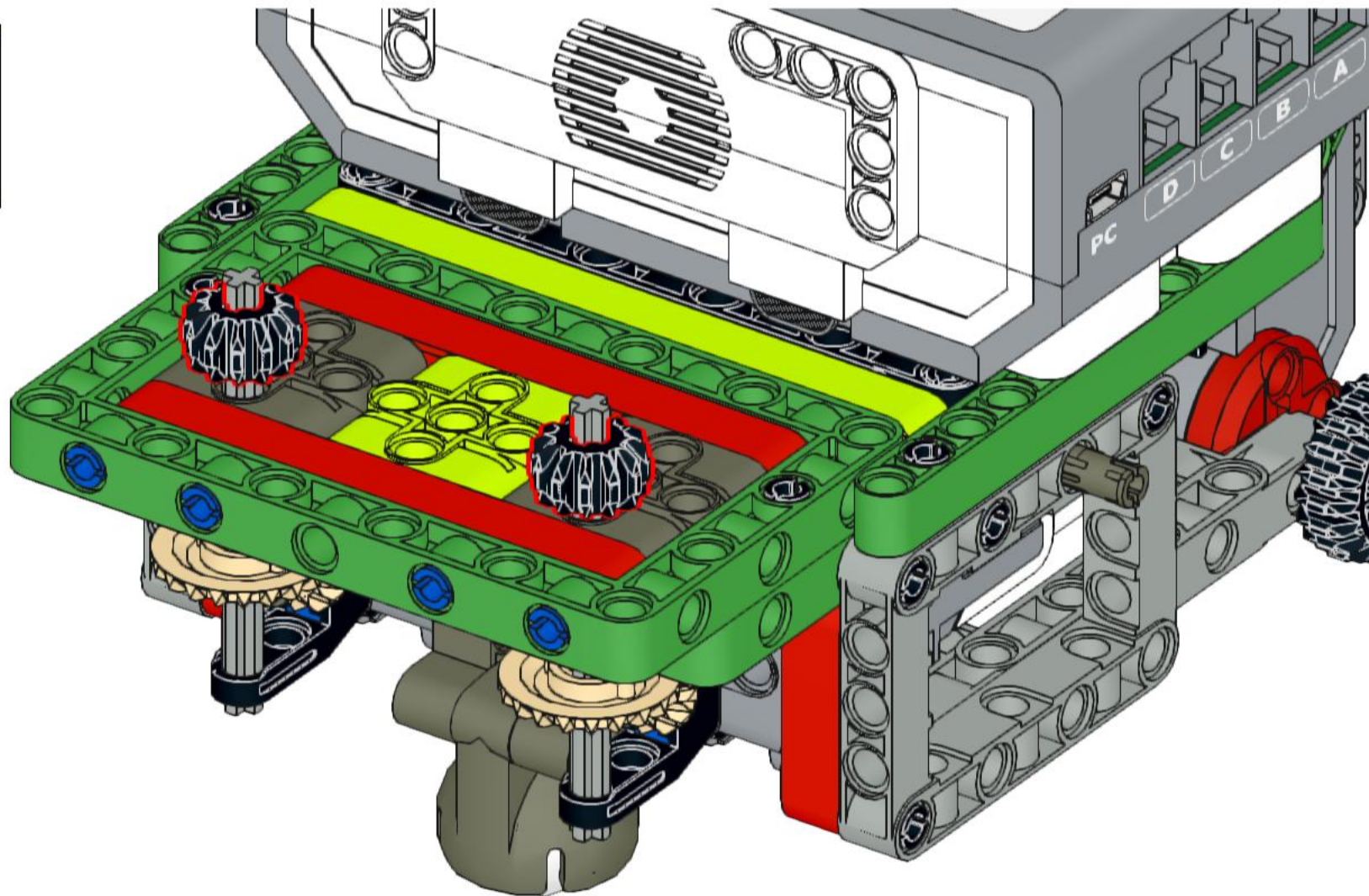
# 61



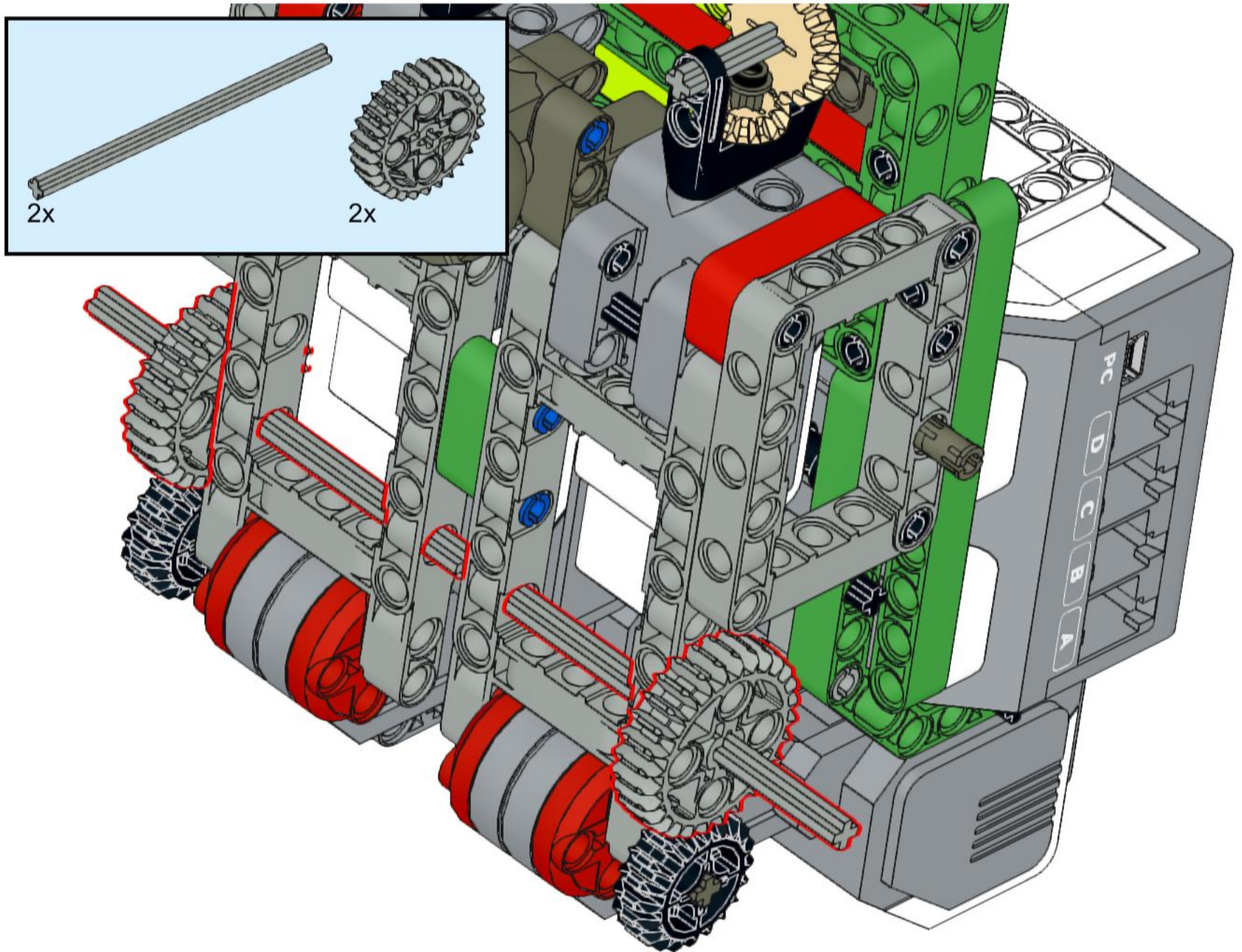
# 62



# 63

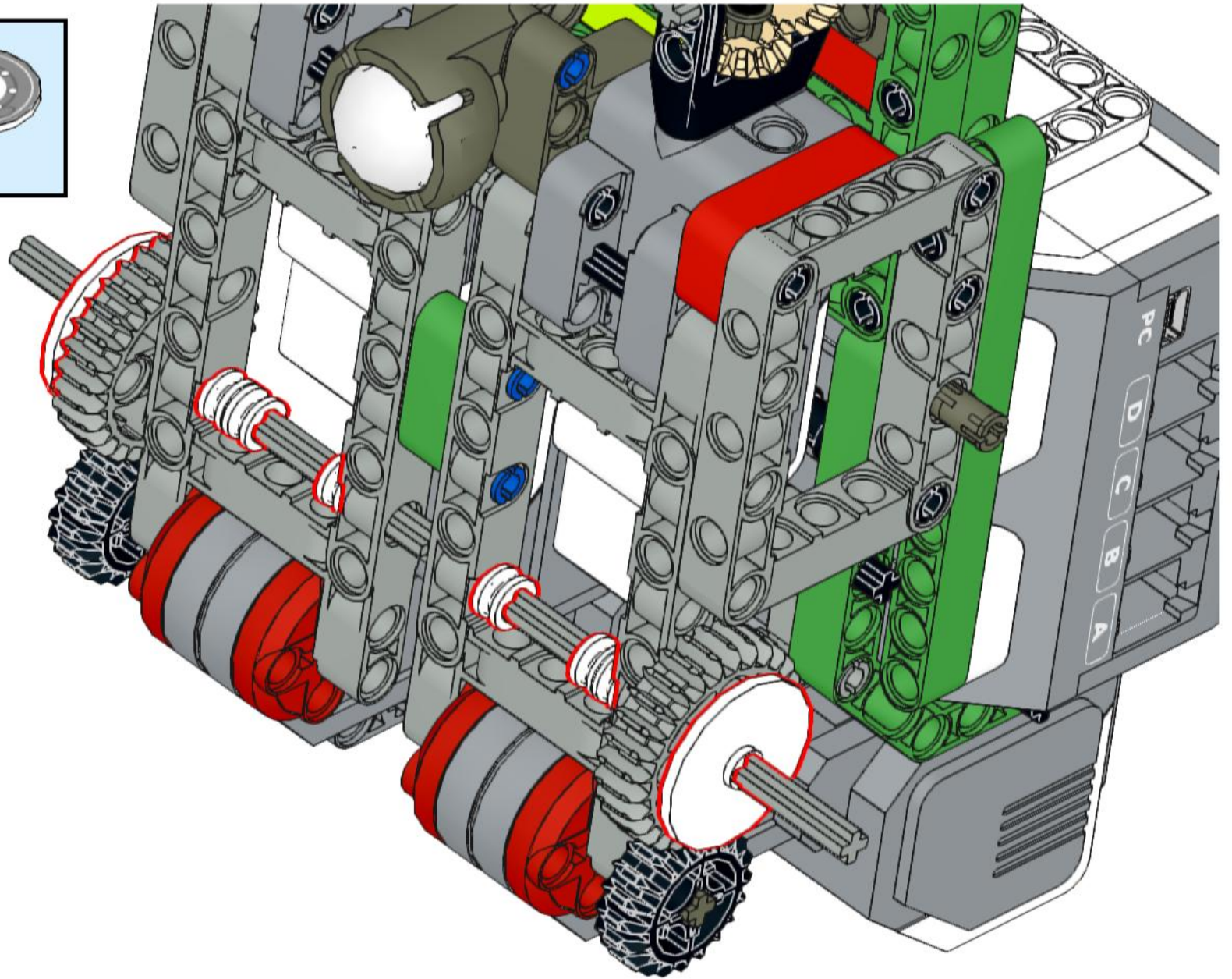
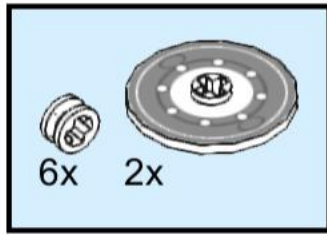


# 64

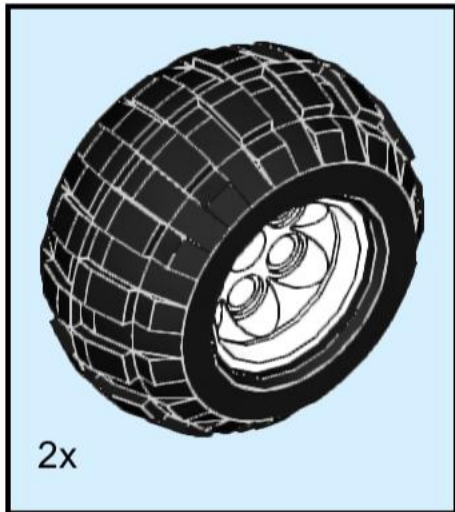
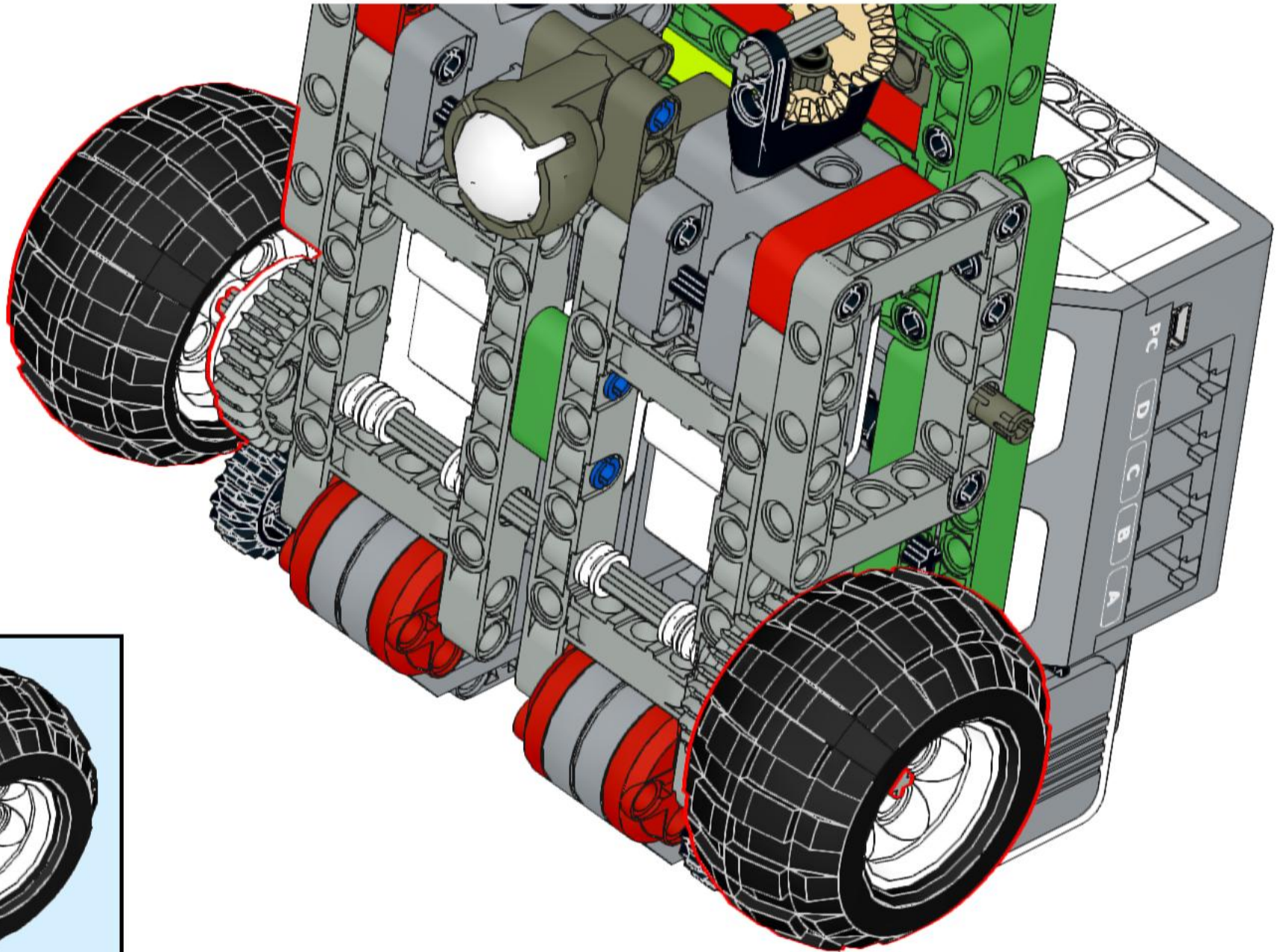




# 65

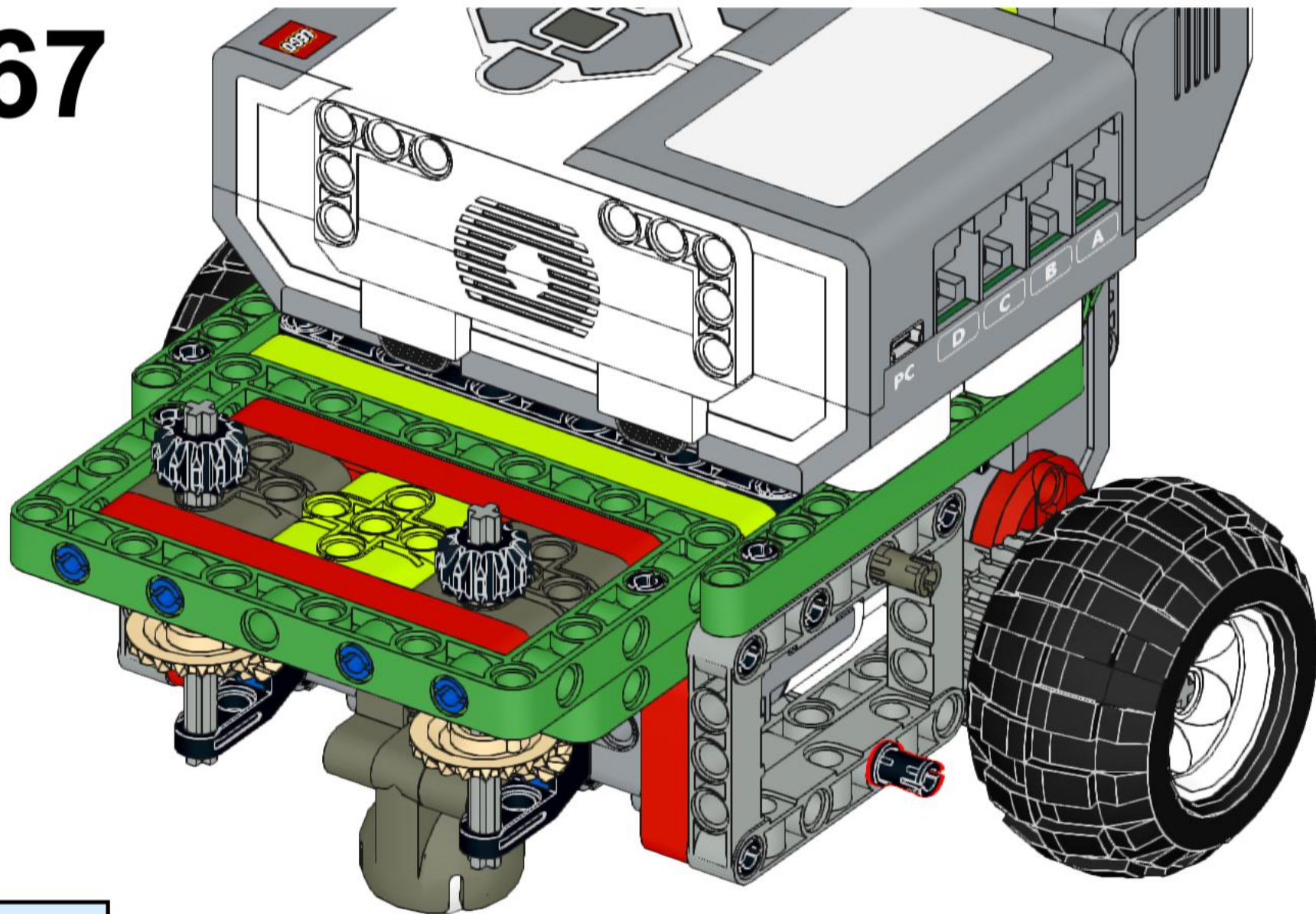


# 66

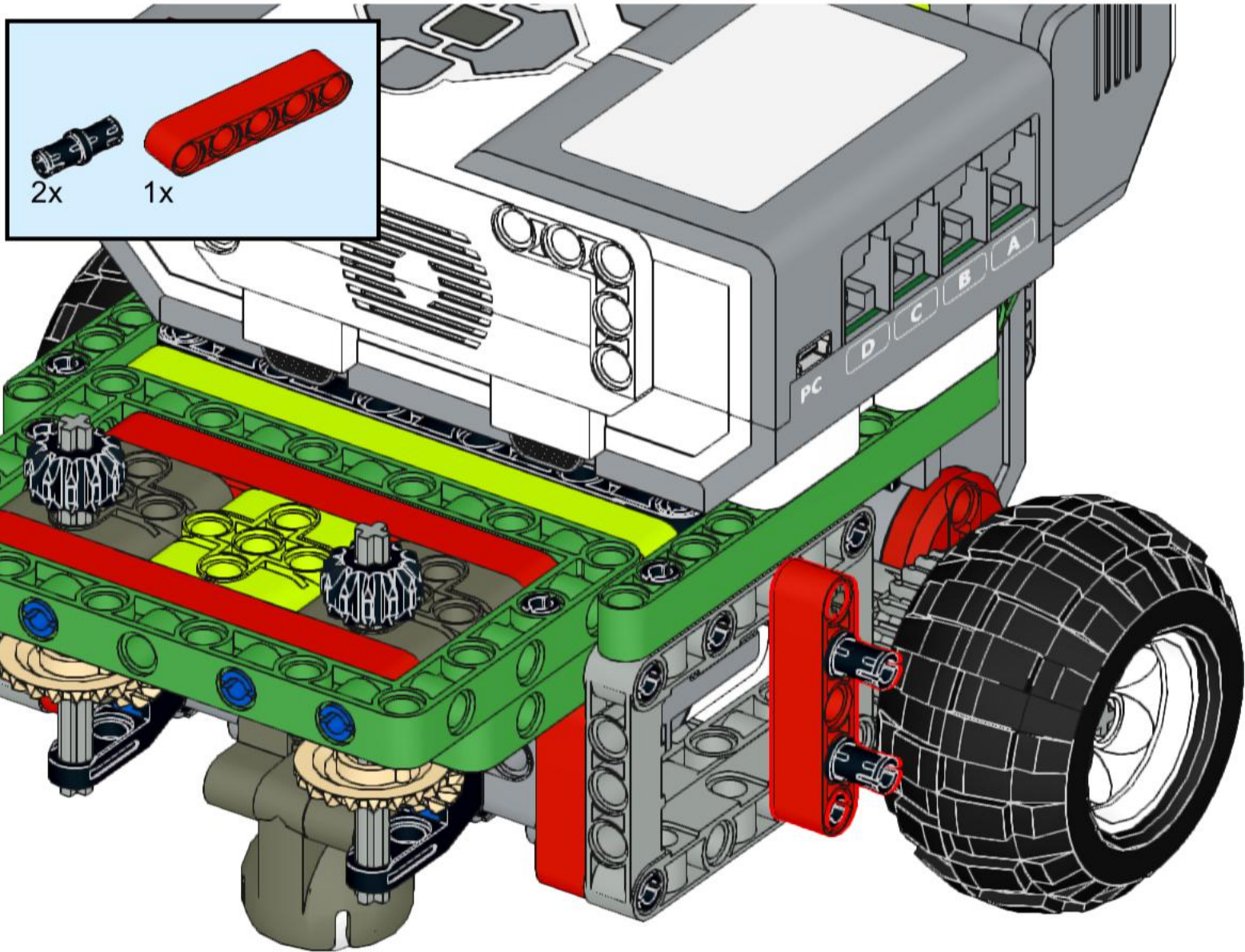


2x

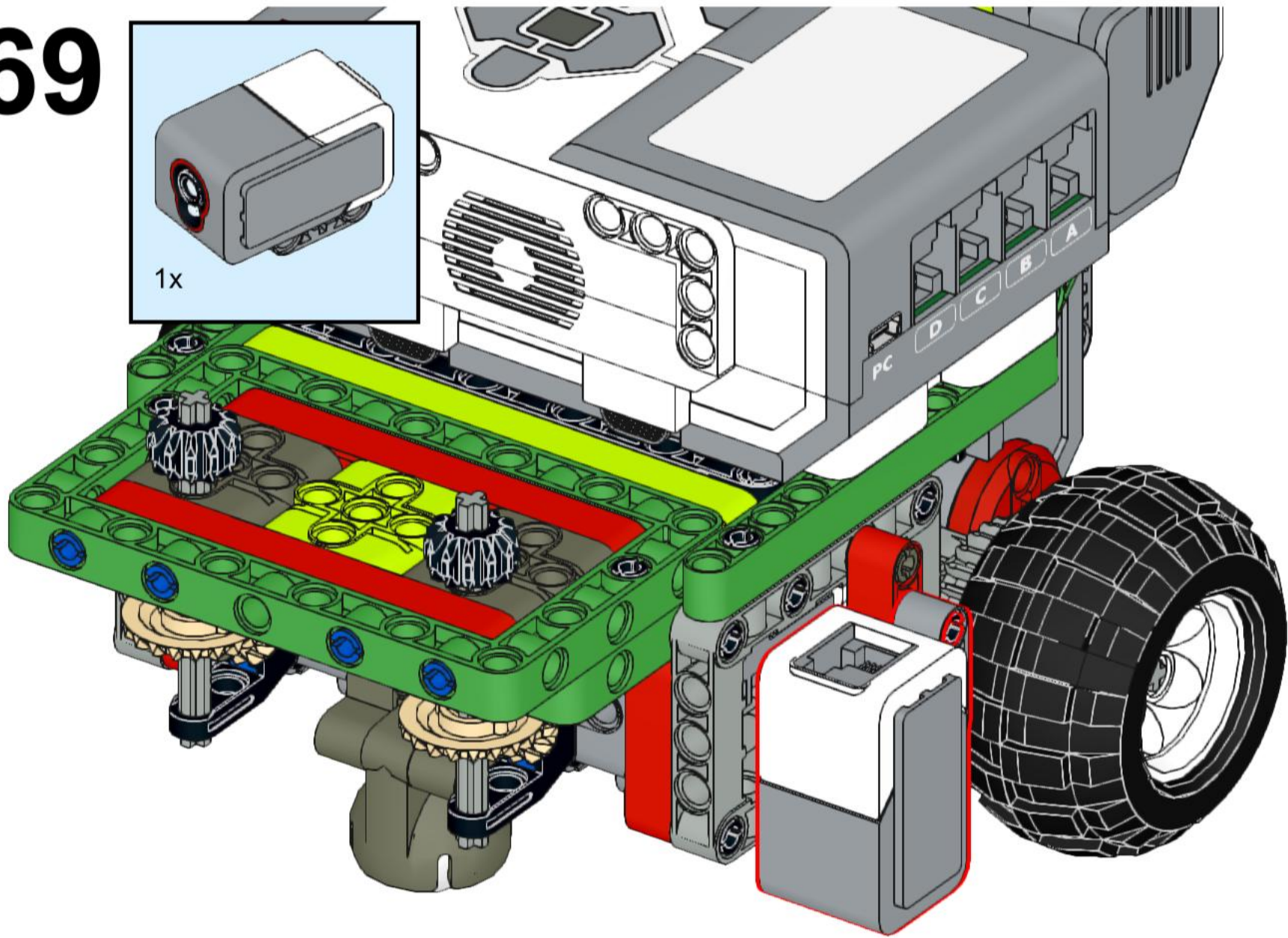
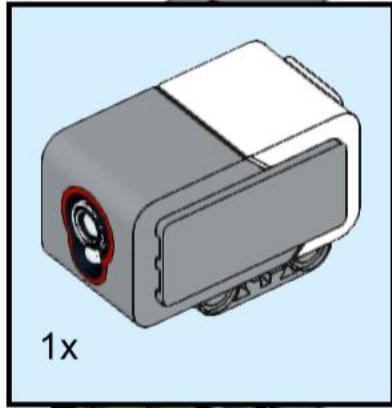
# 67



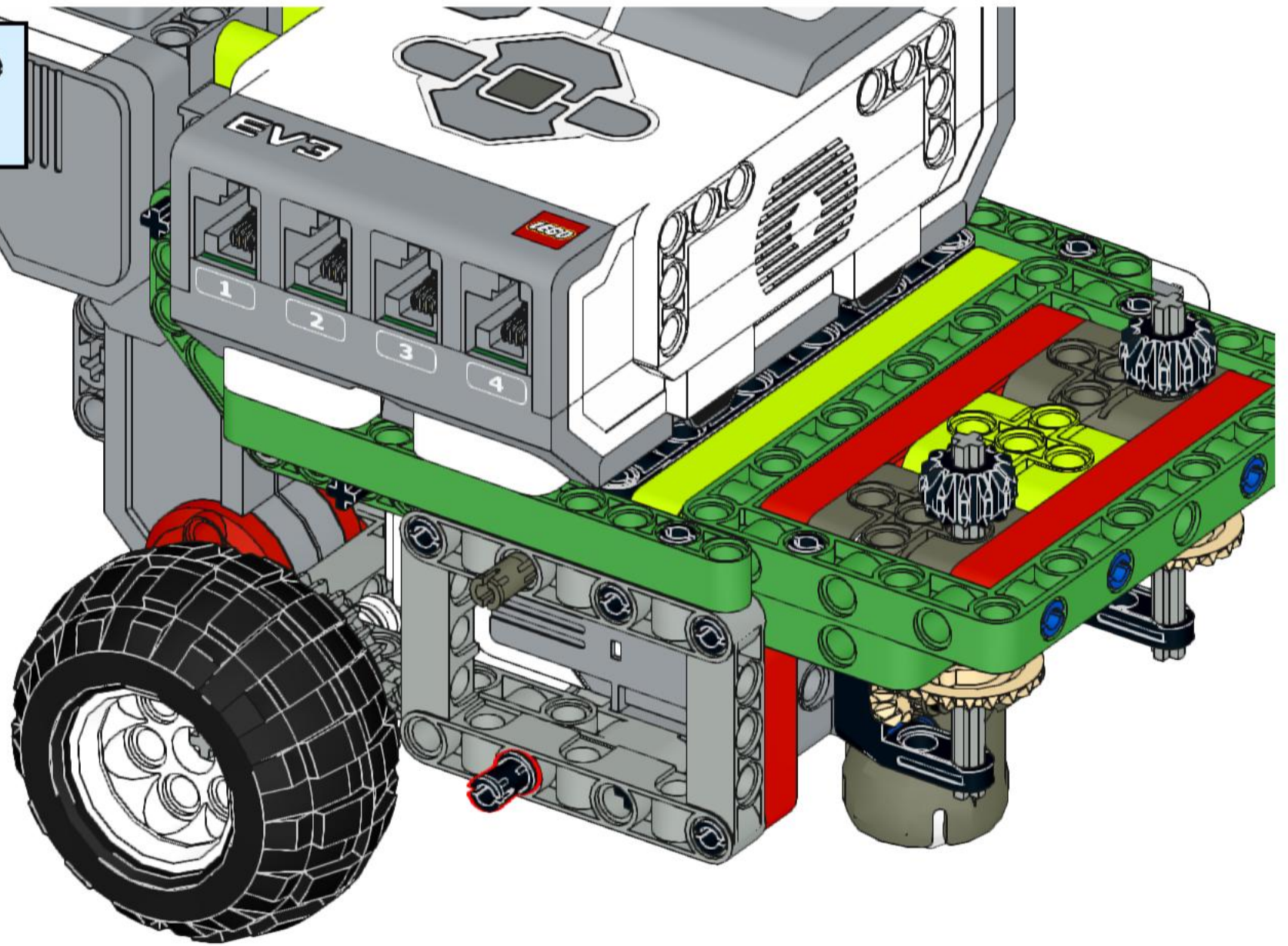
# 68



69

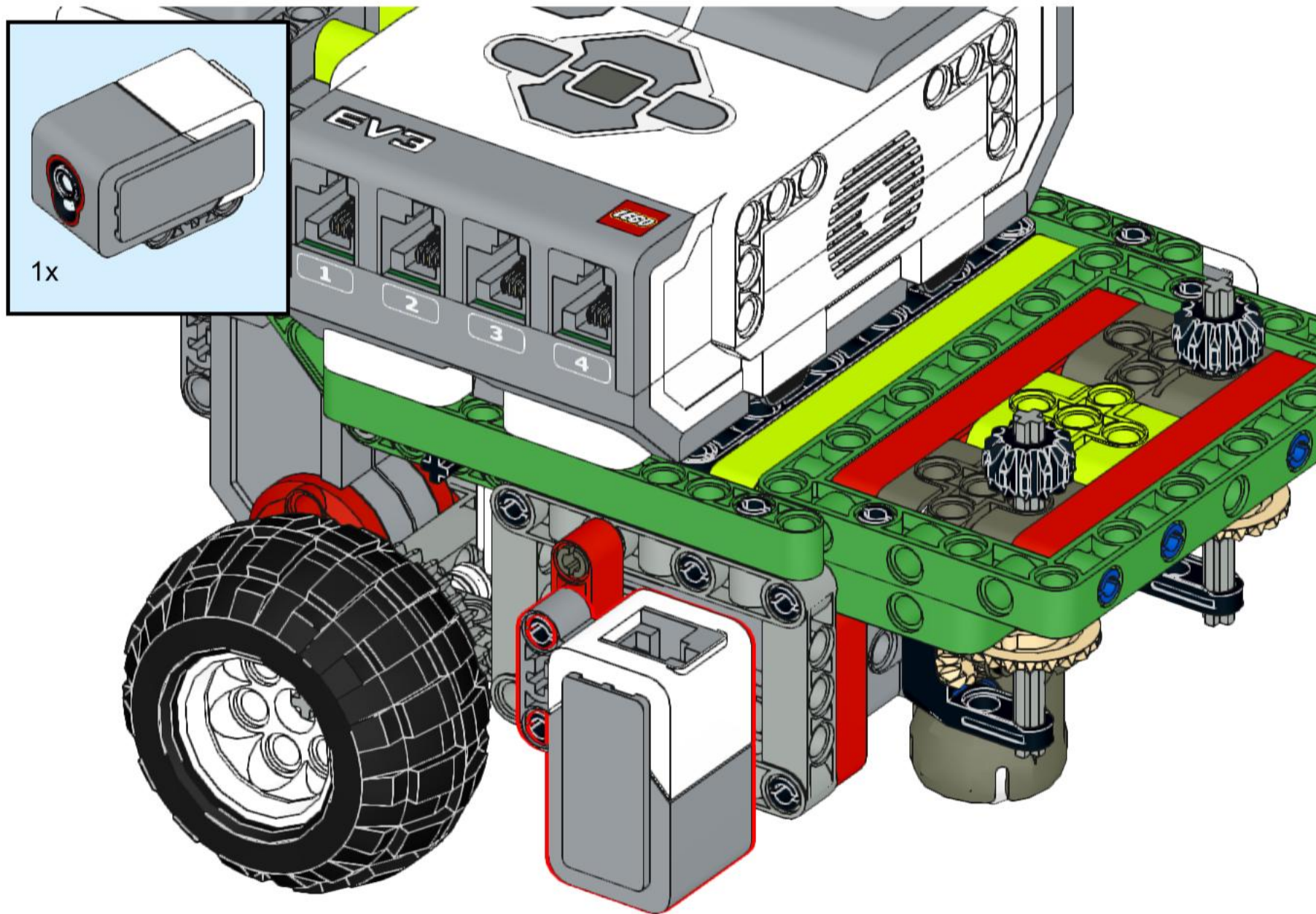


# 70



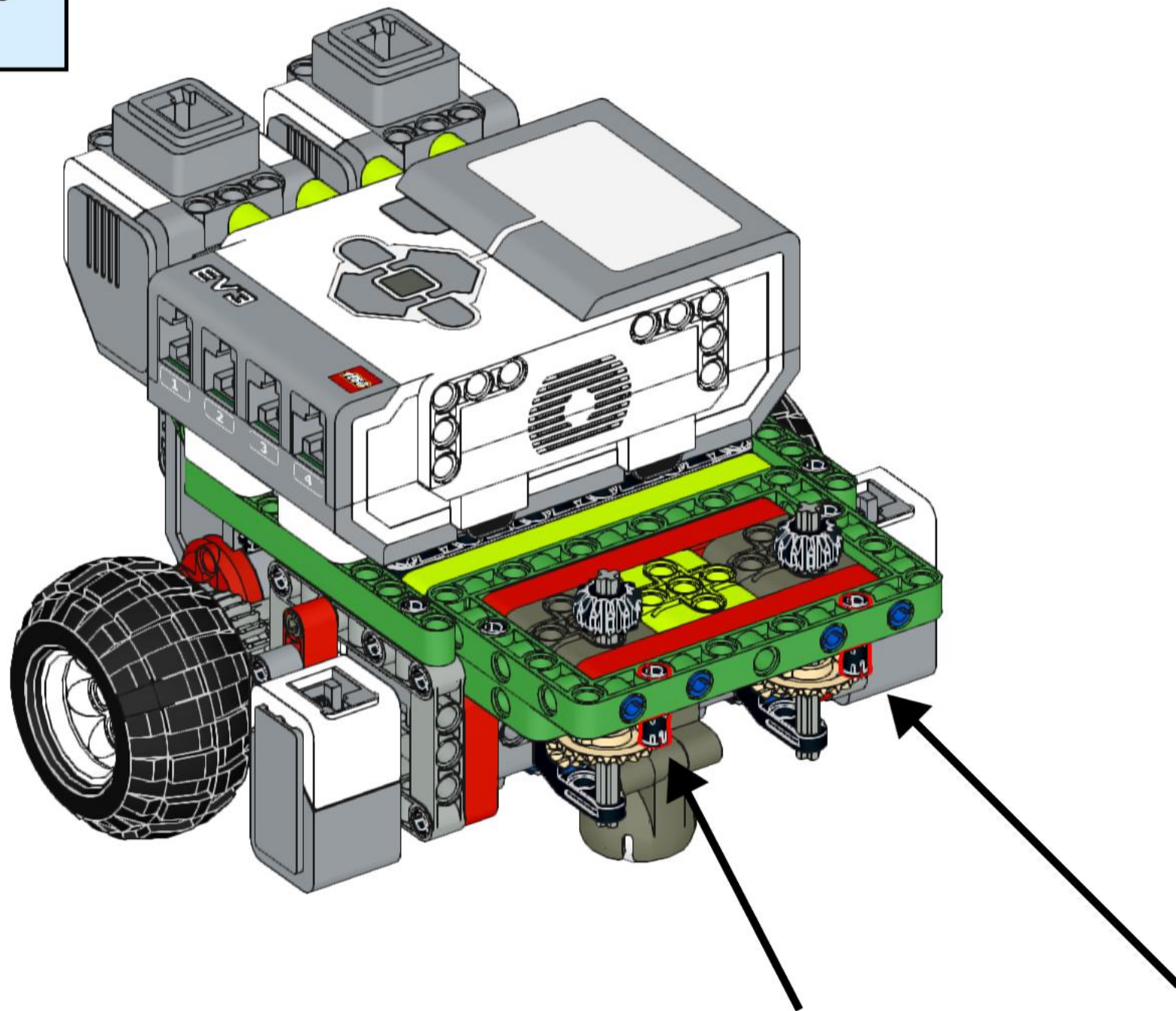


# 72

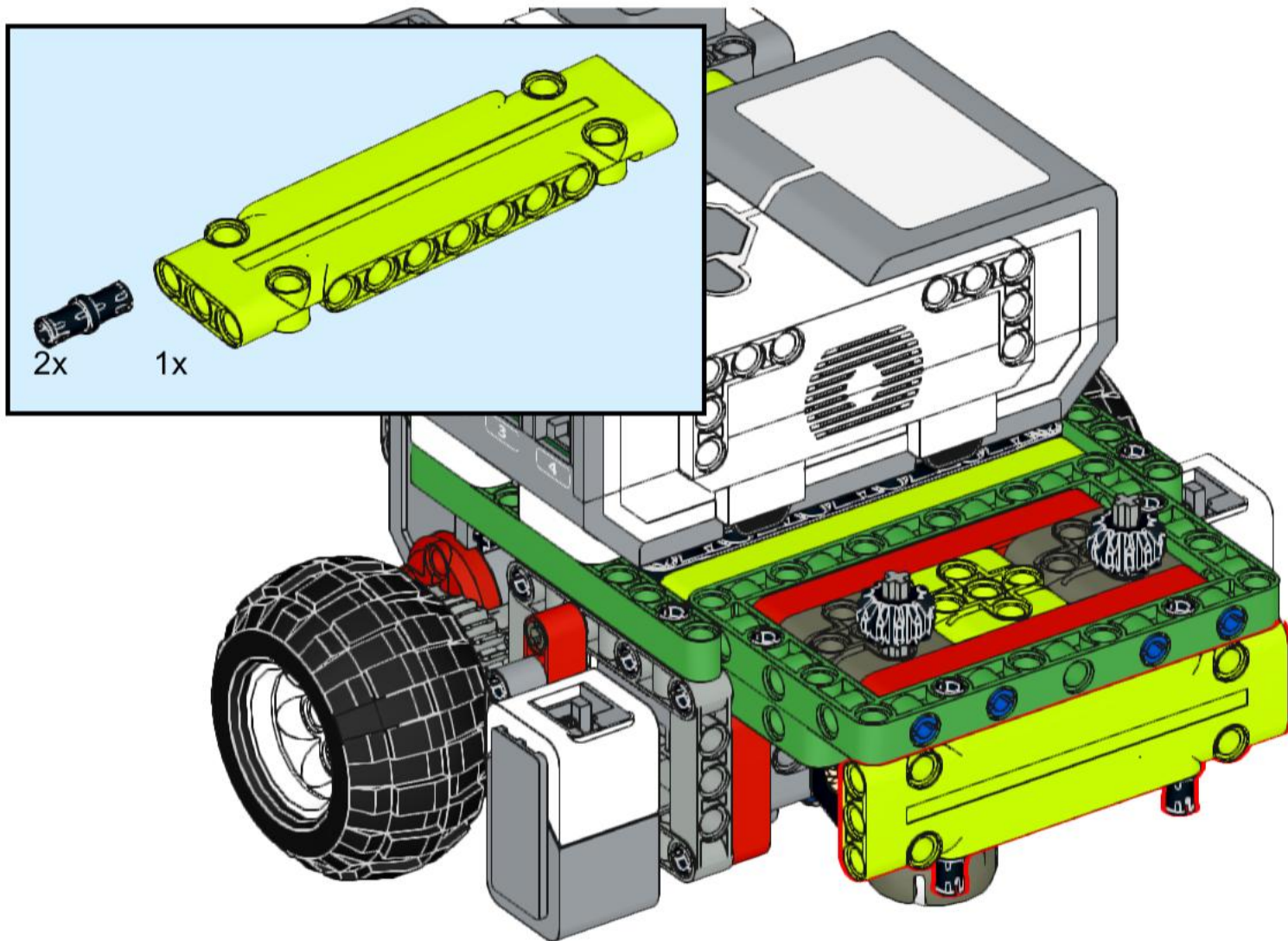




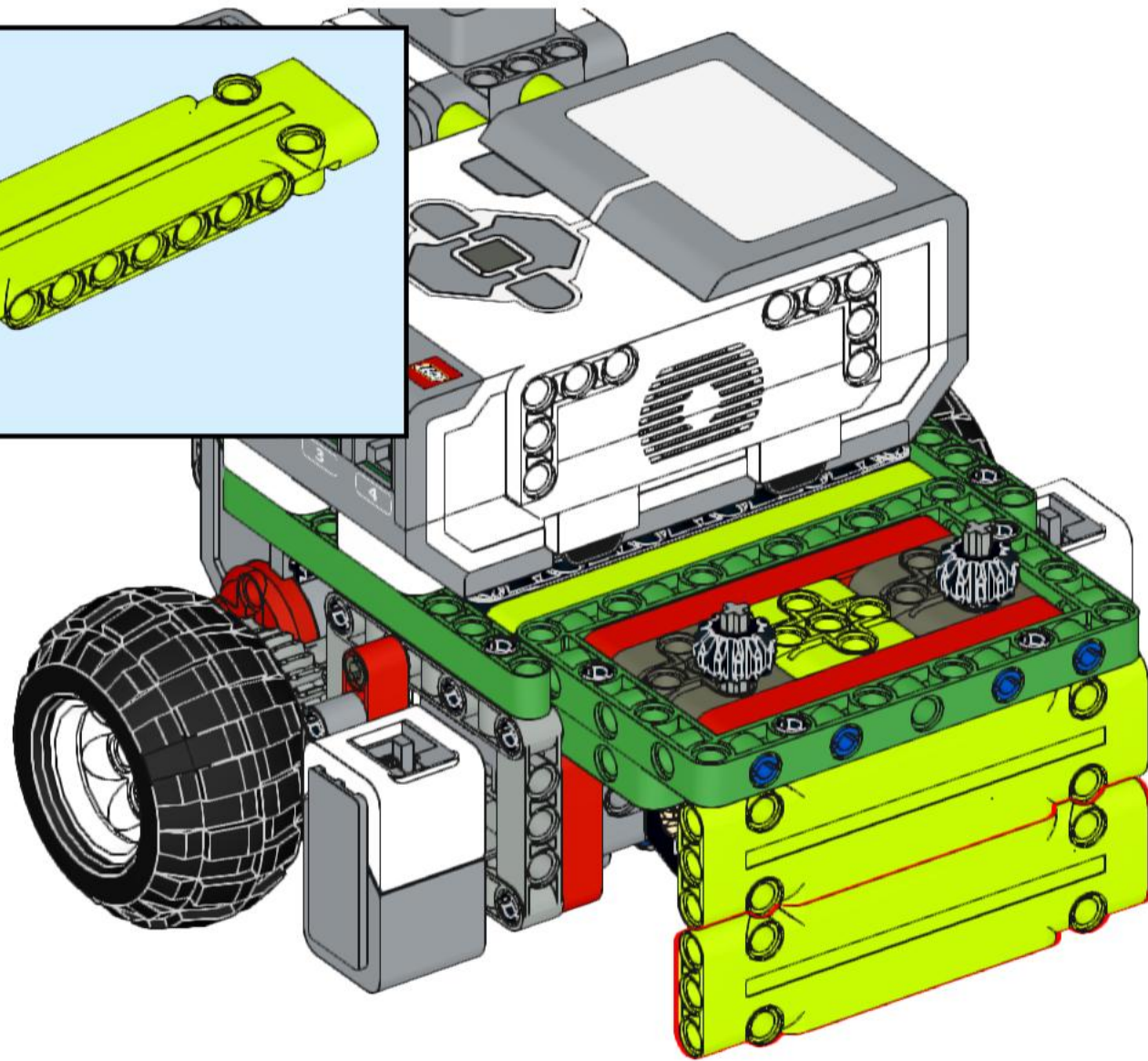
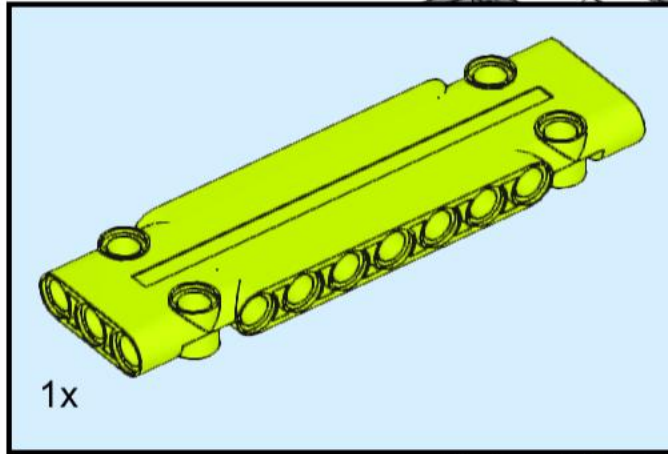
# 73



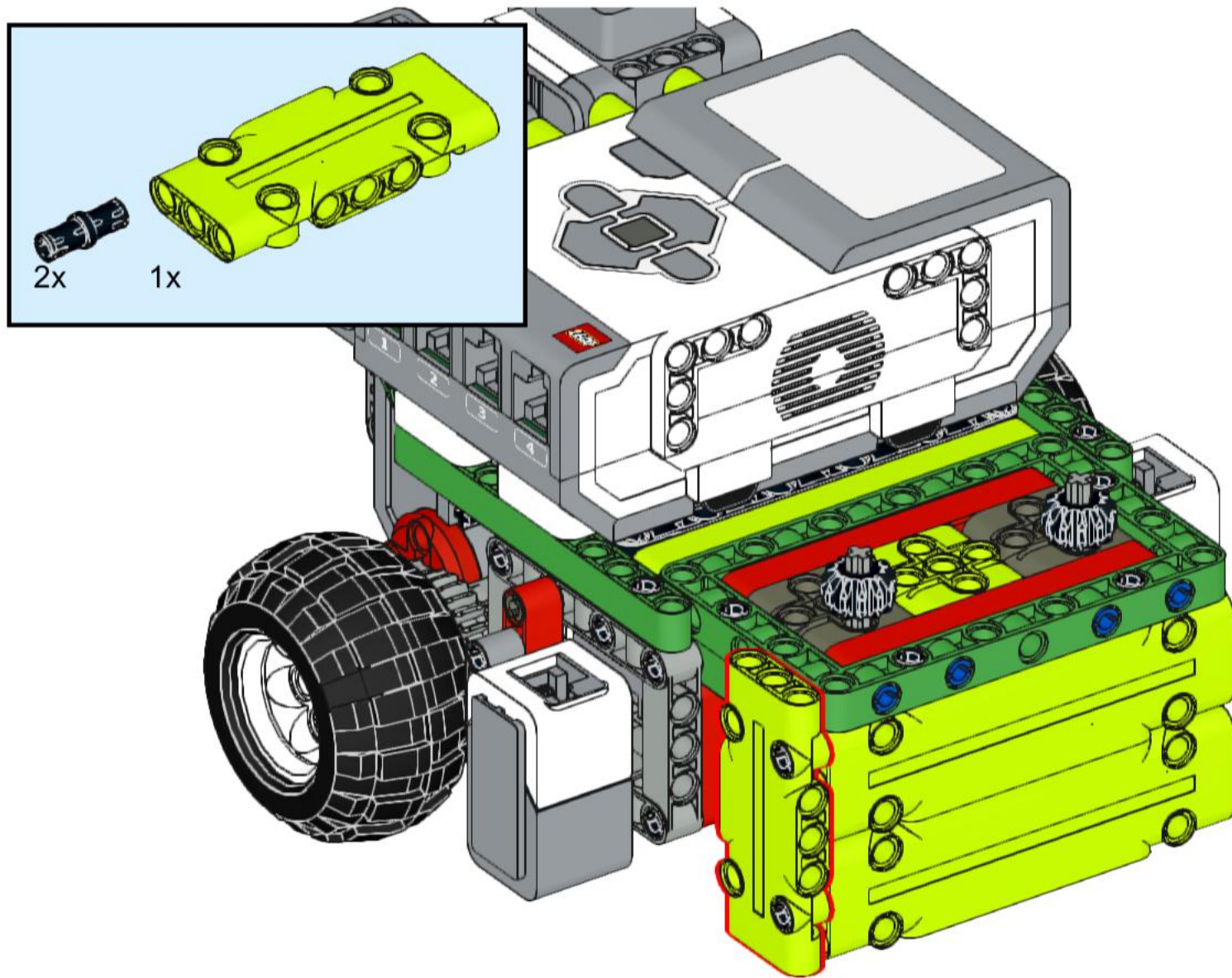
# 74



# 75



# 76



# 77

