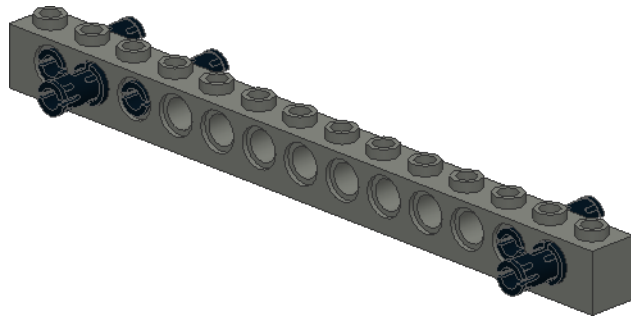
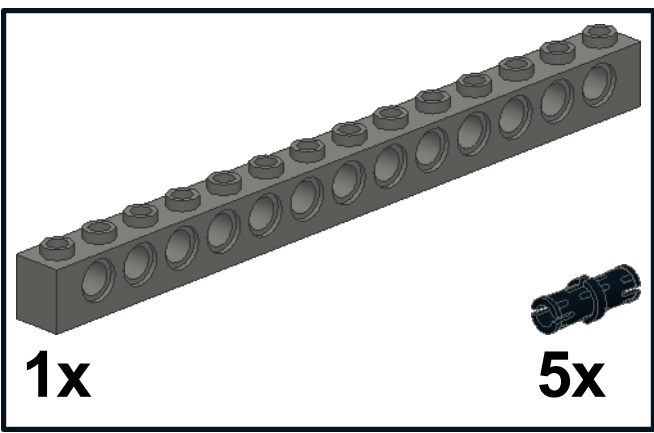
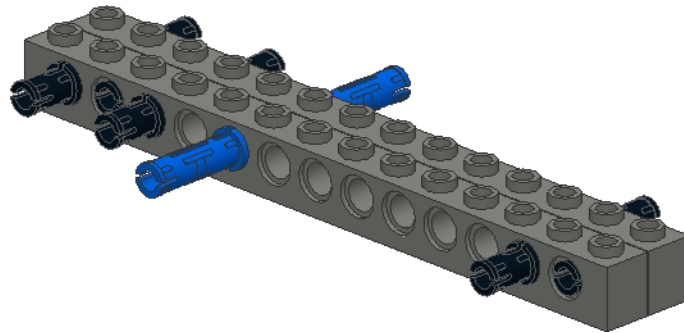
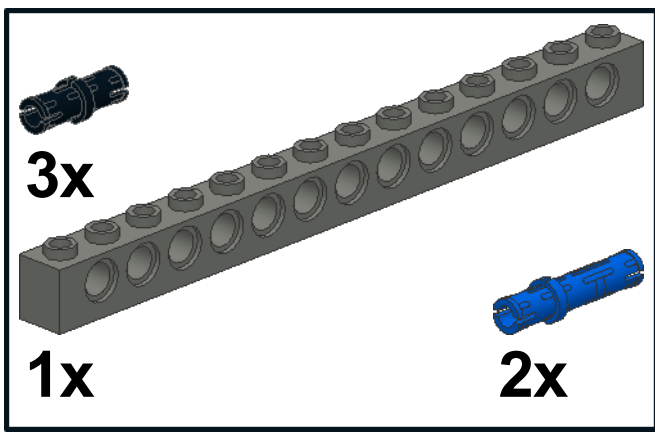


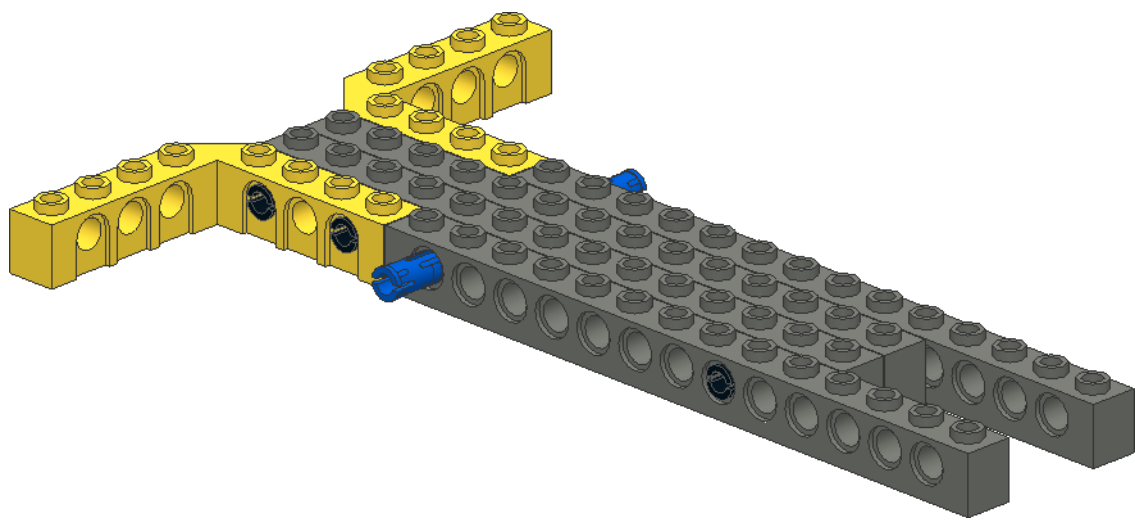
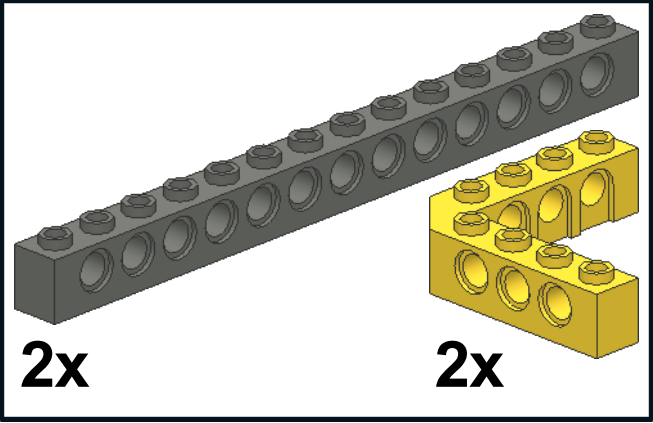
1



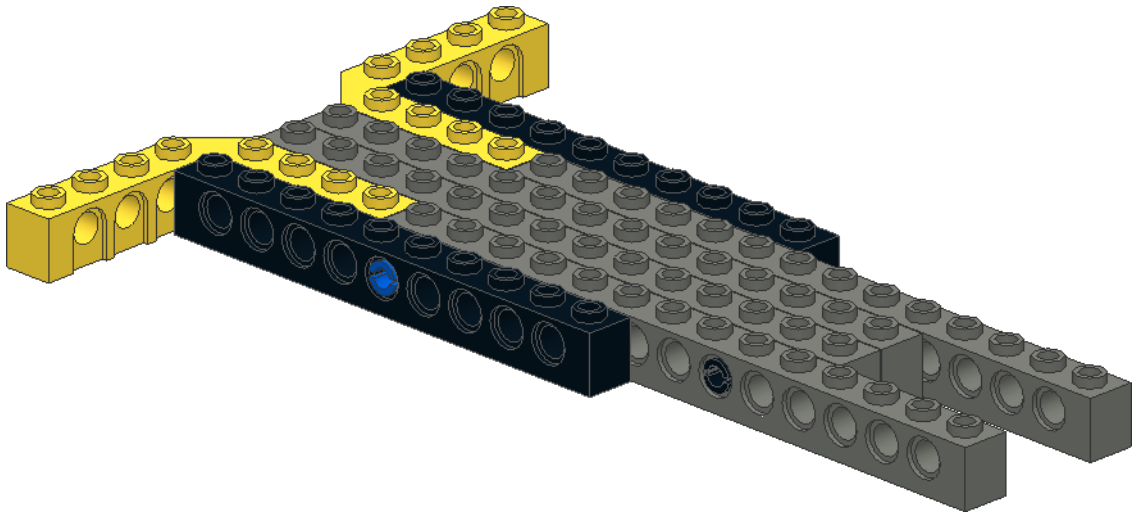
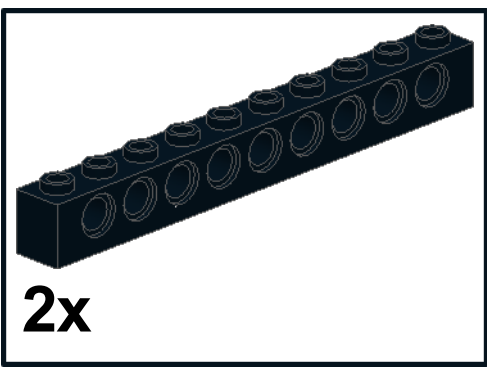
2



3



4



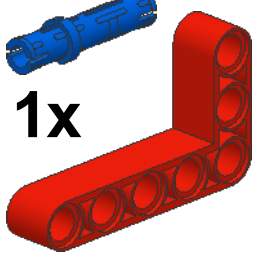
5



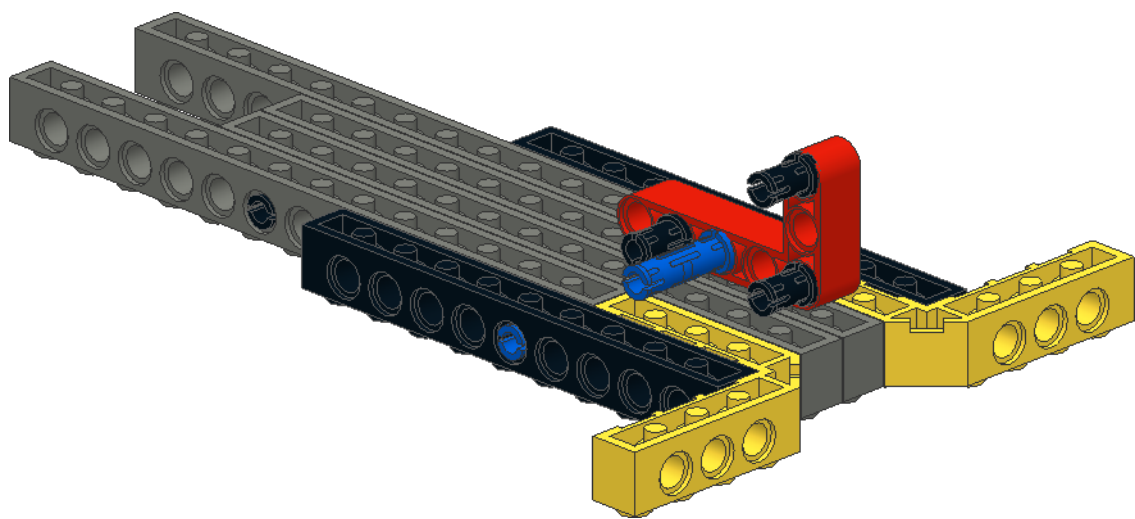
3x



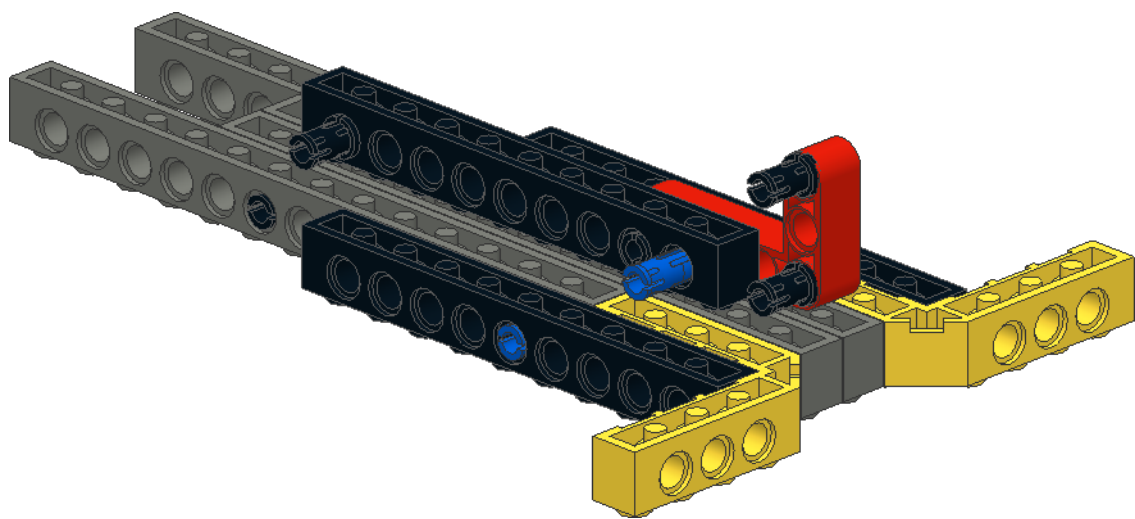
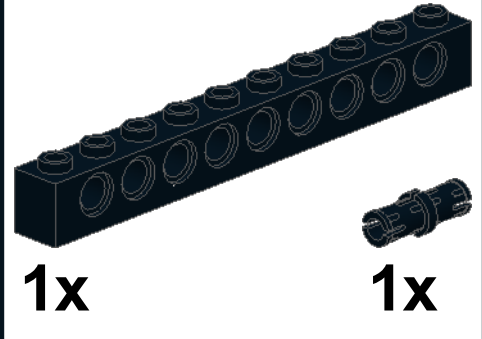
1x



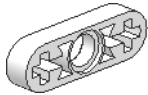

1x

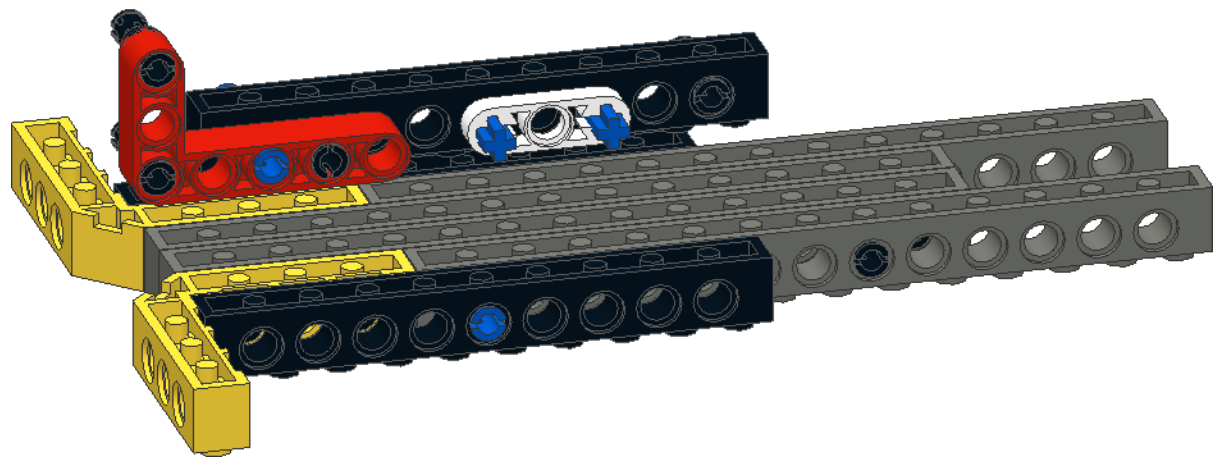


6

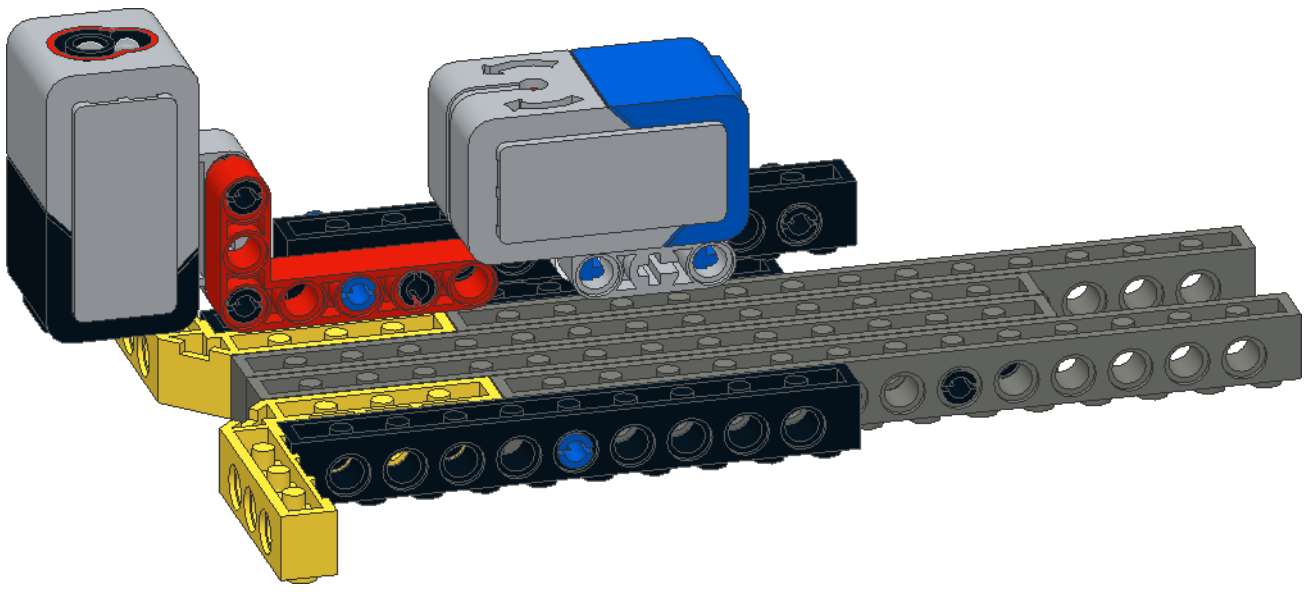
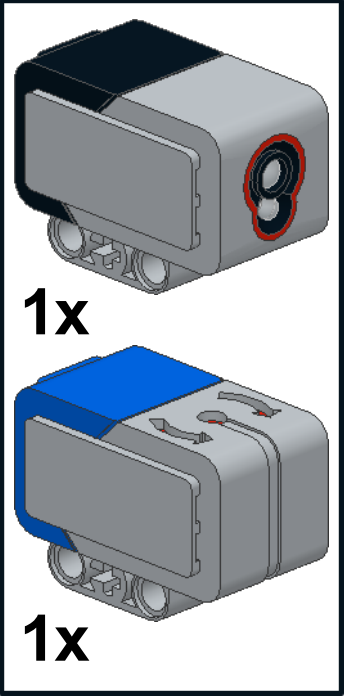


7

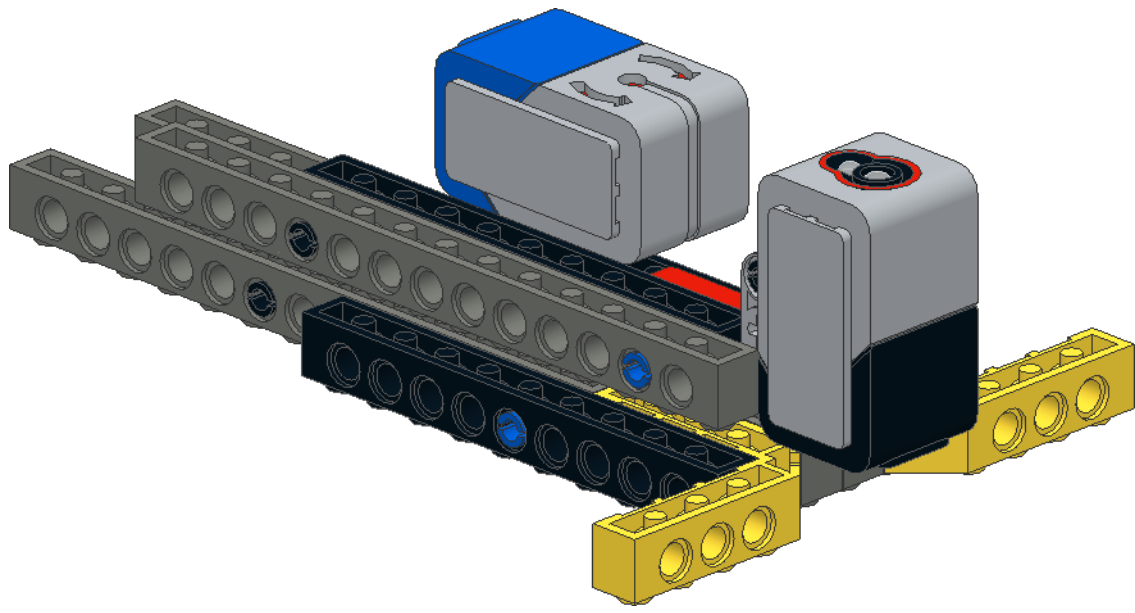
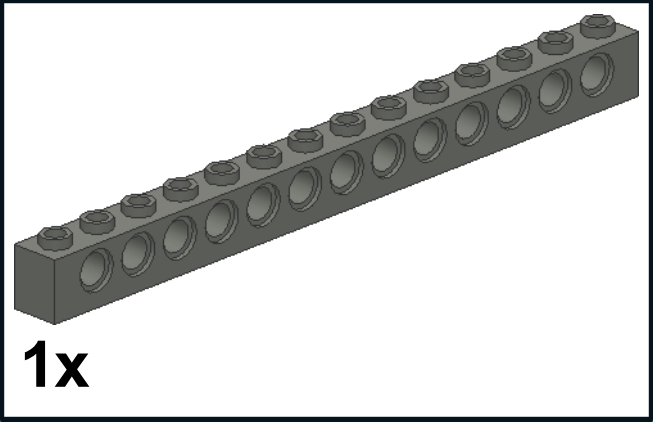
	
1x	2x





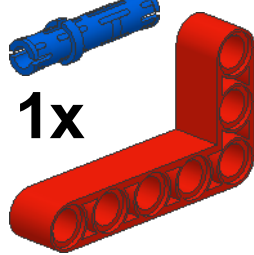
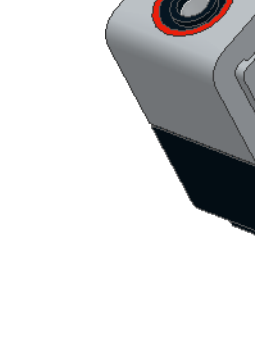
8

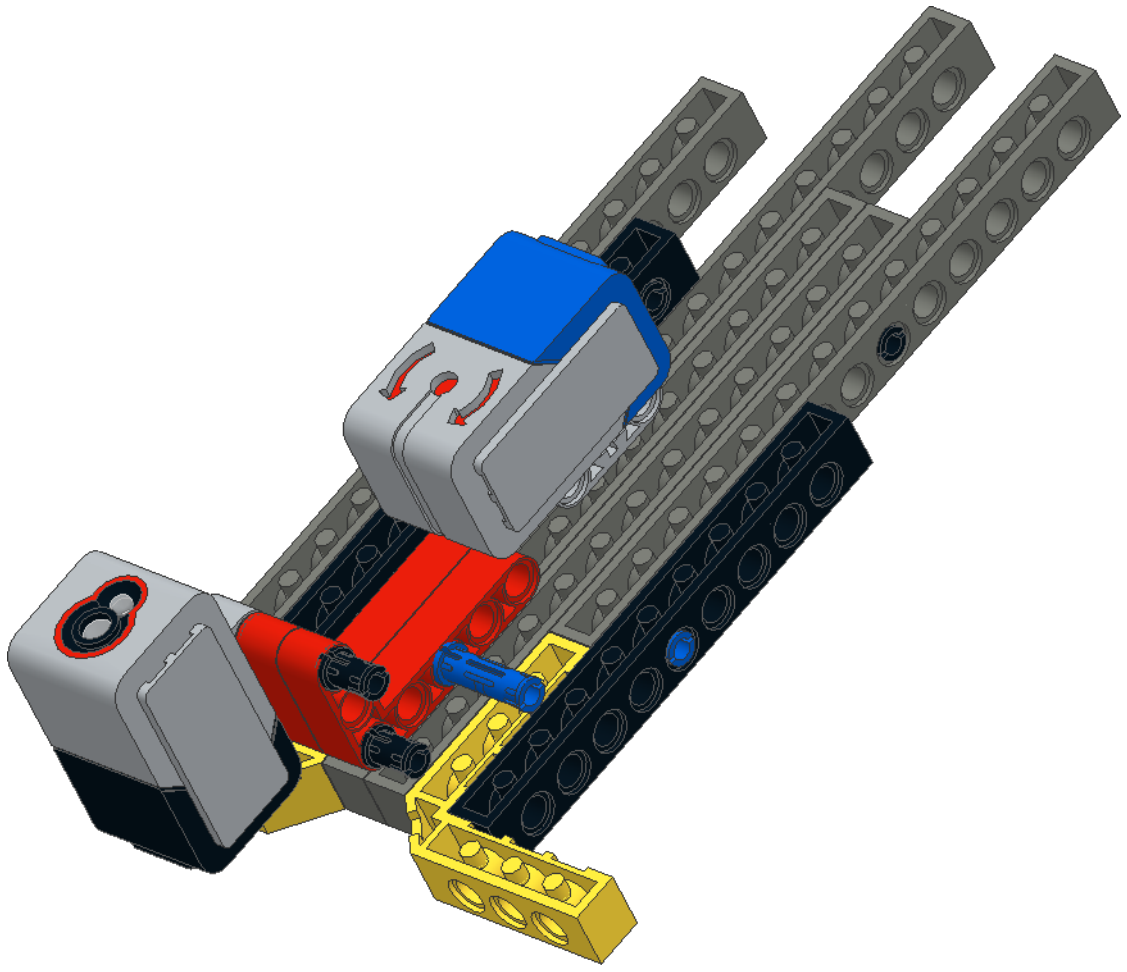


9

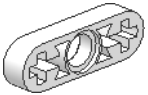

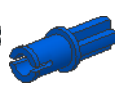


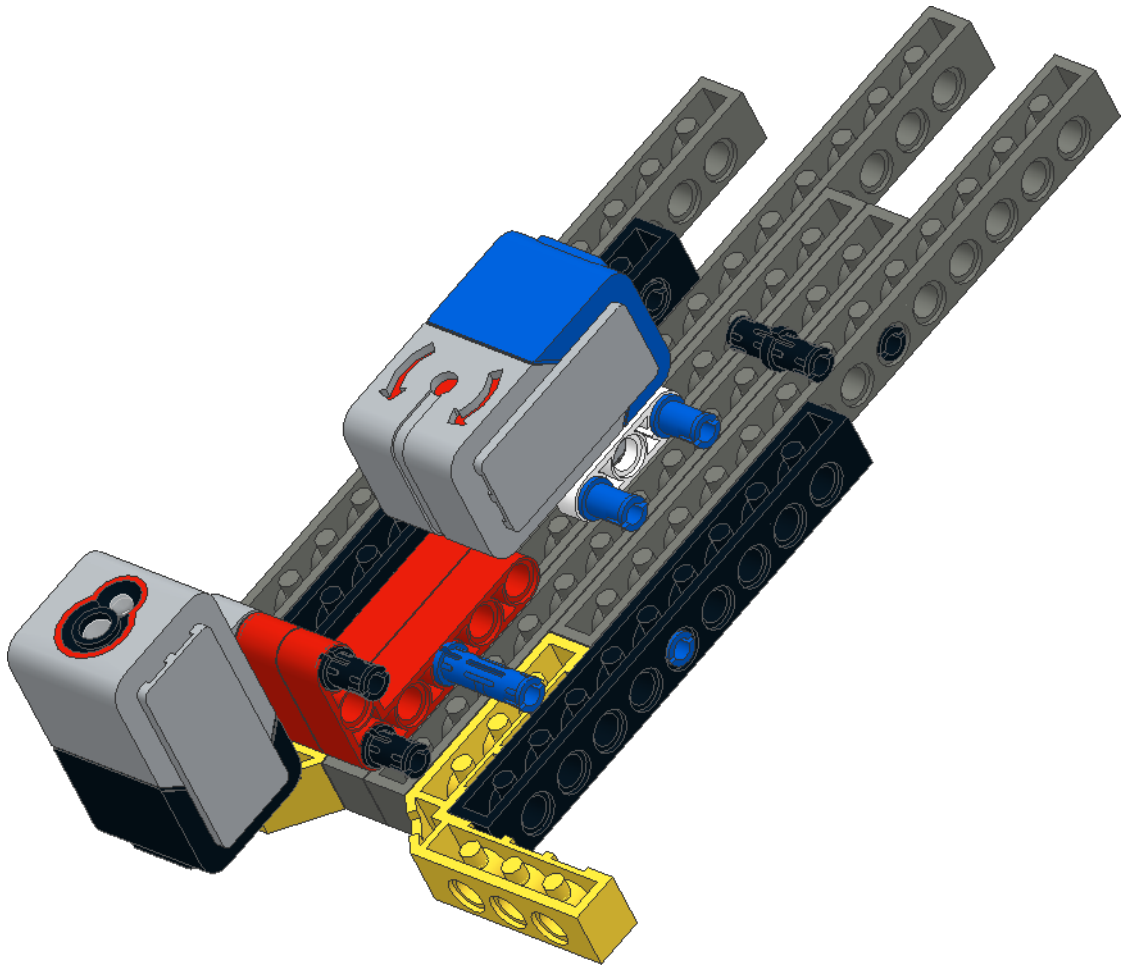
10

- 2x 
- 1x 
- 1x 
- 1x 

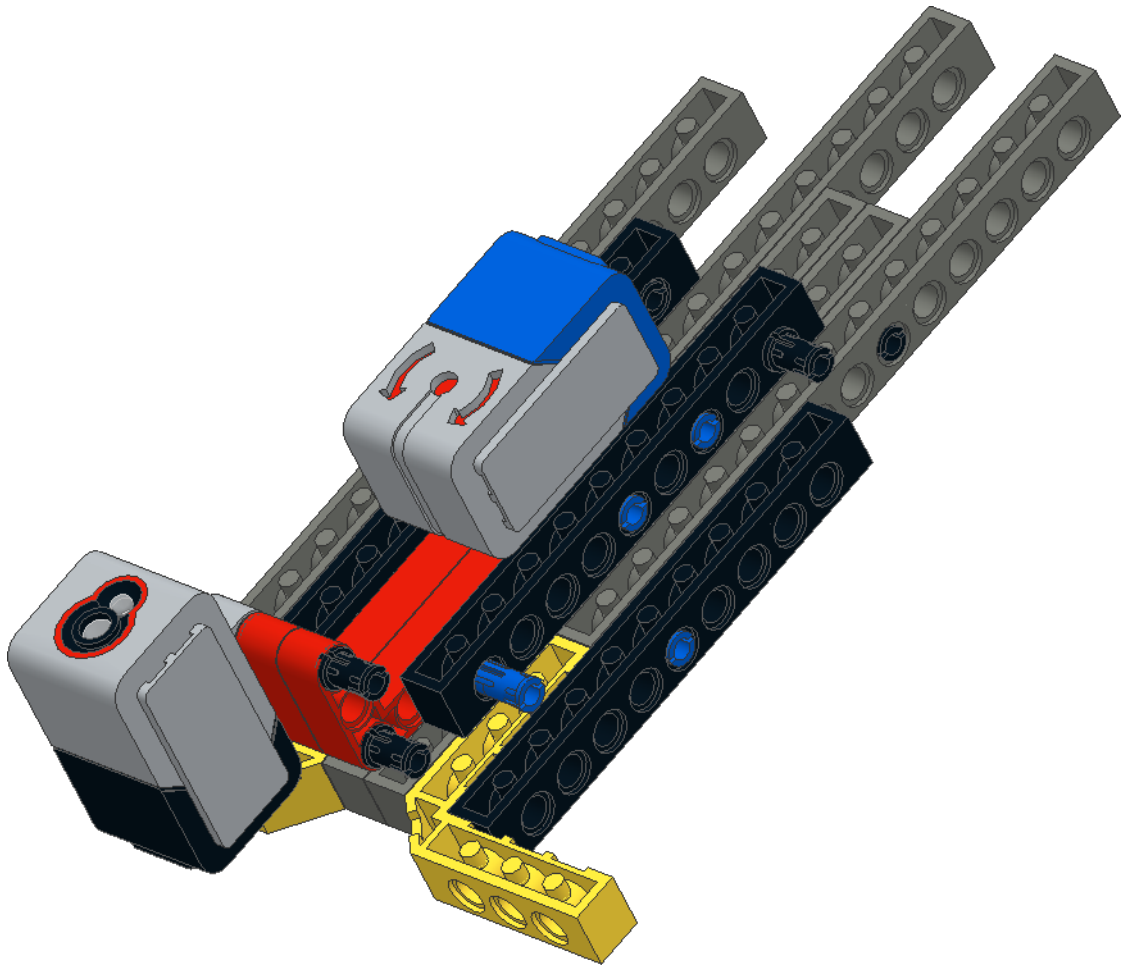
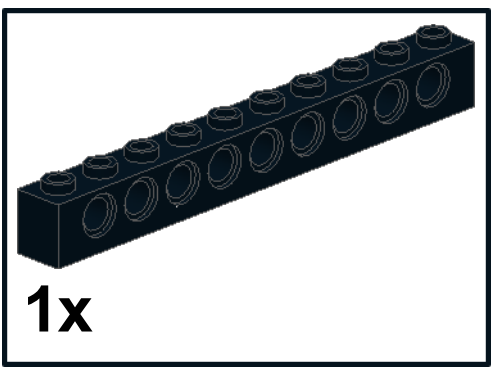


11

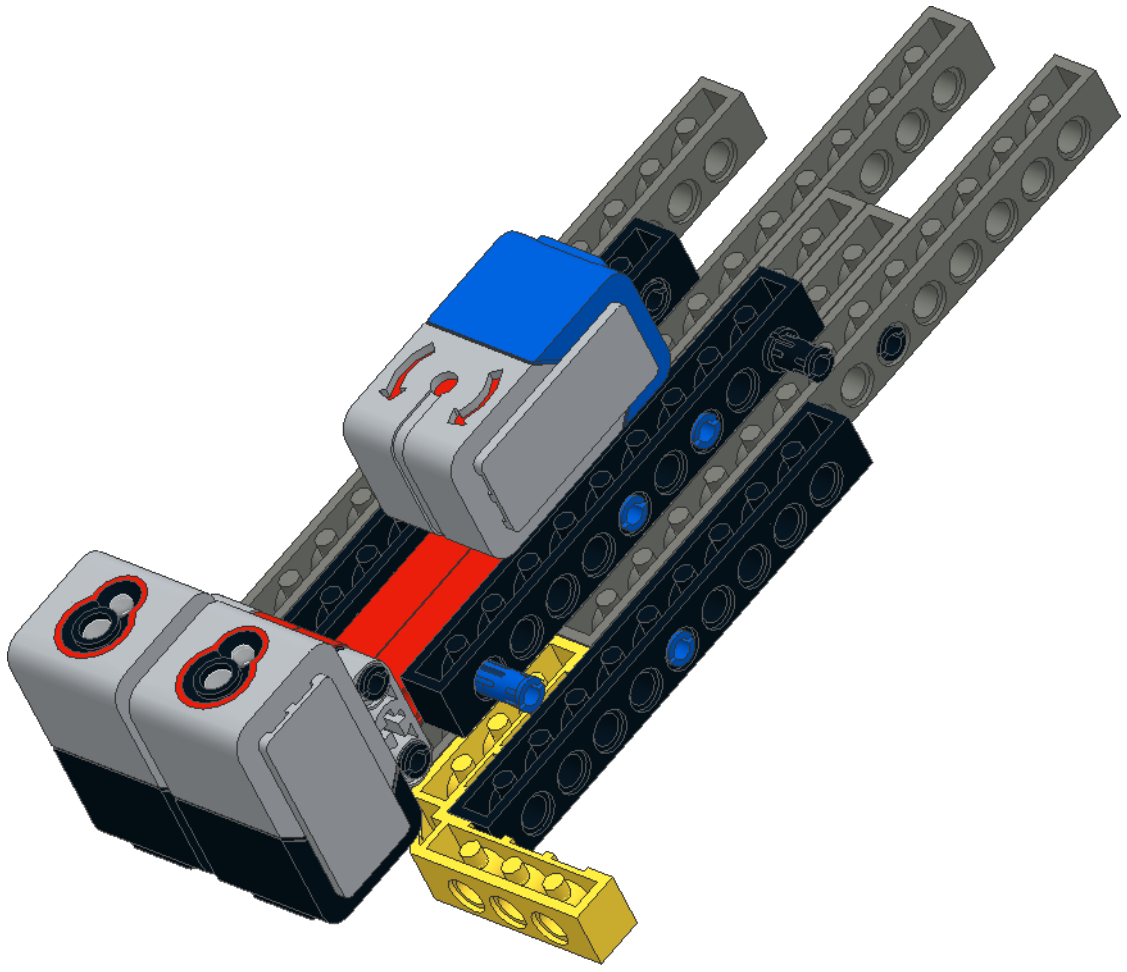
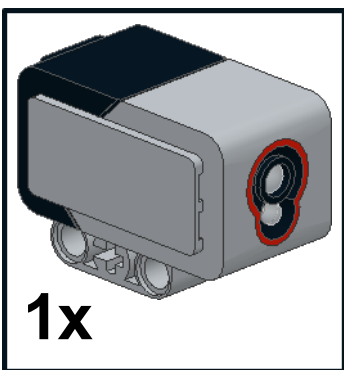
		
1x	1x	2x



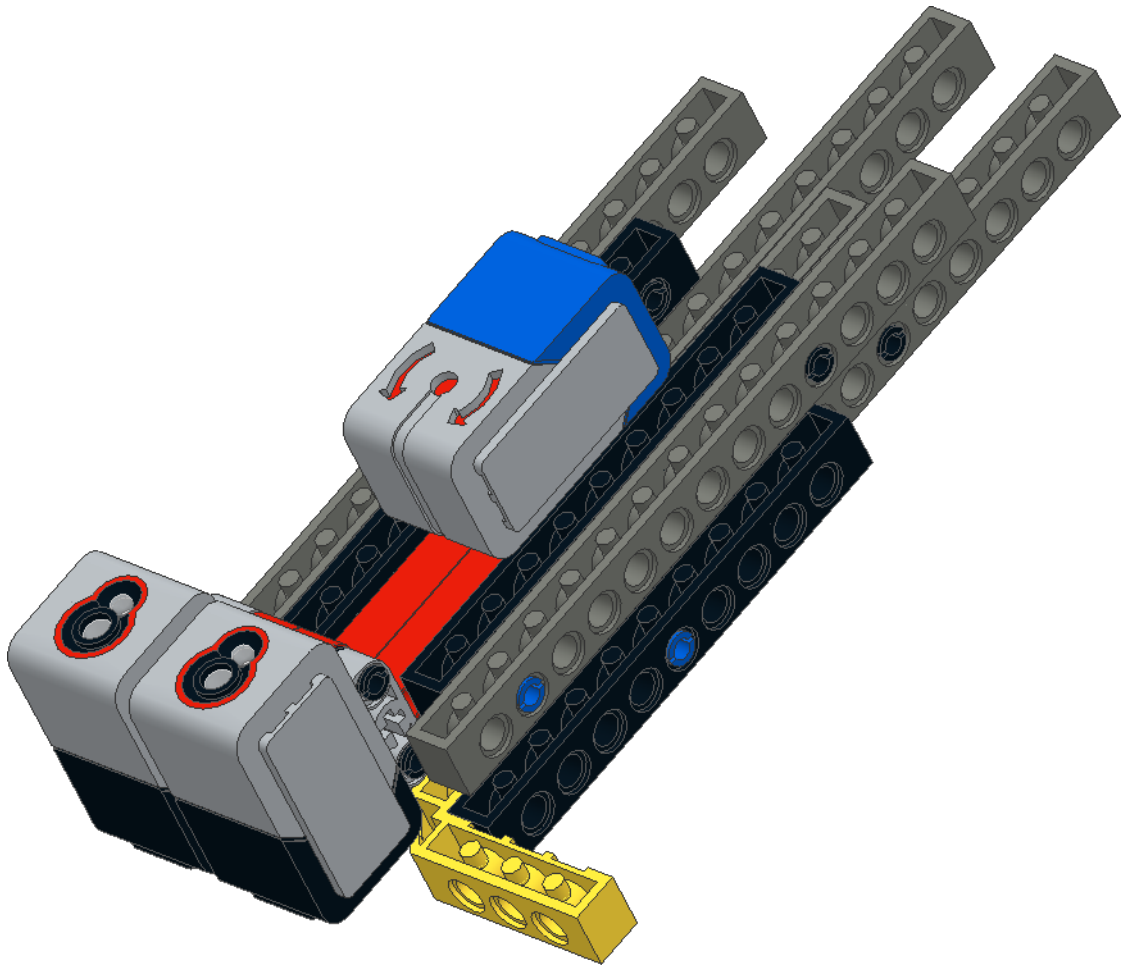
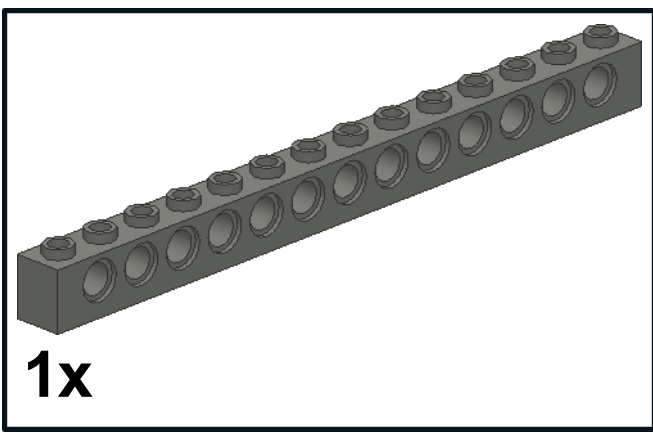
12



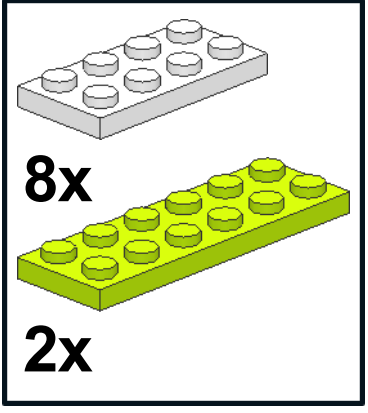
13



14



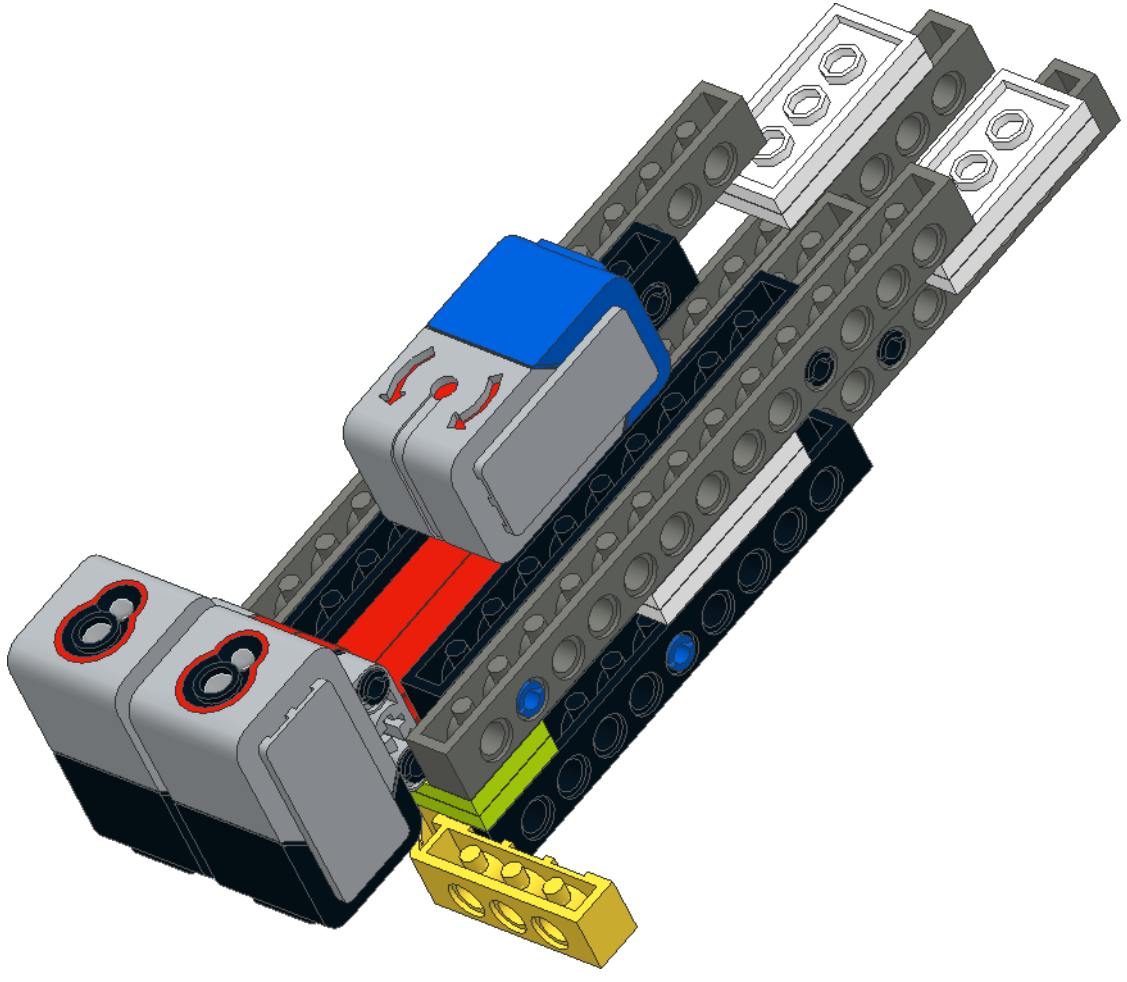
15



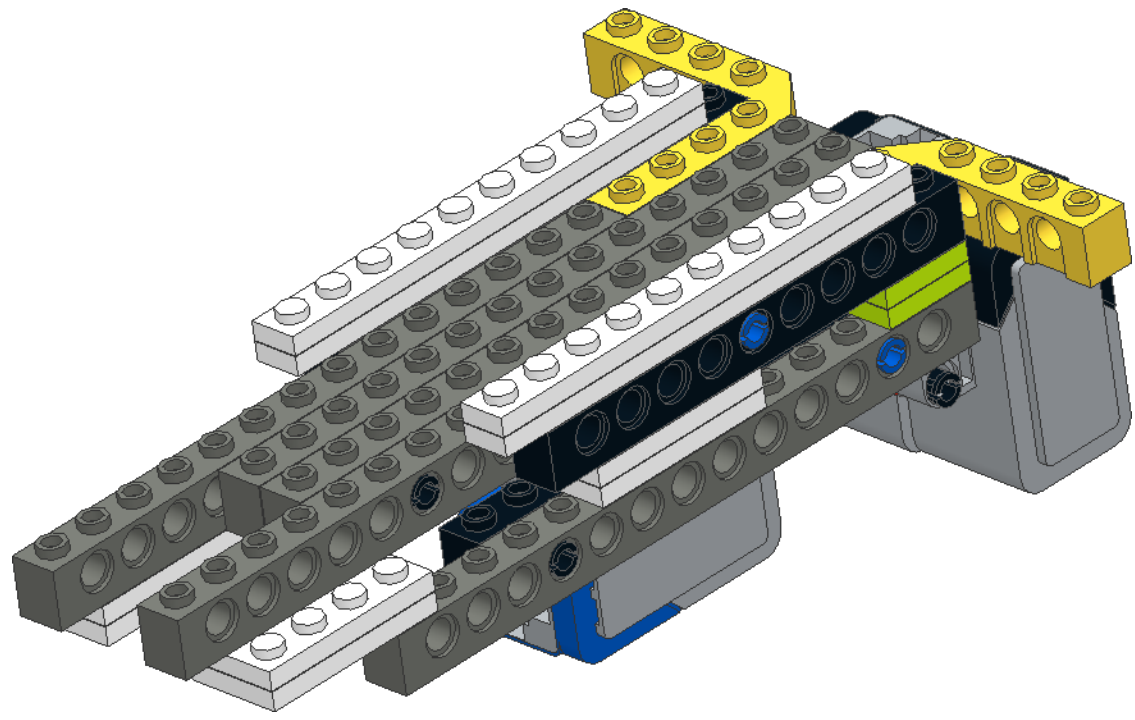
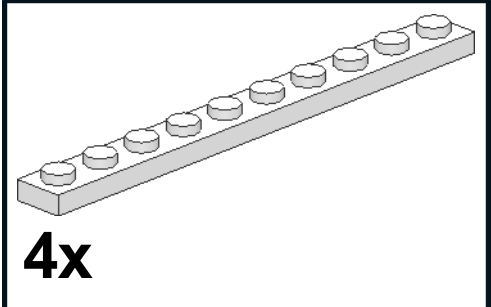
8x

2x

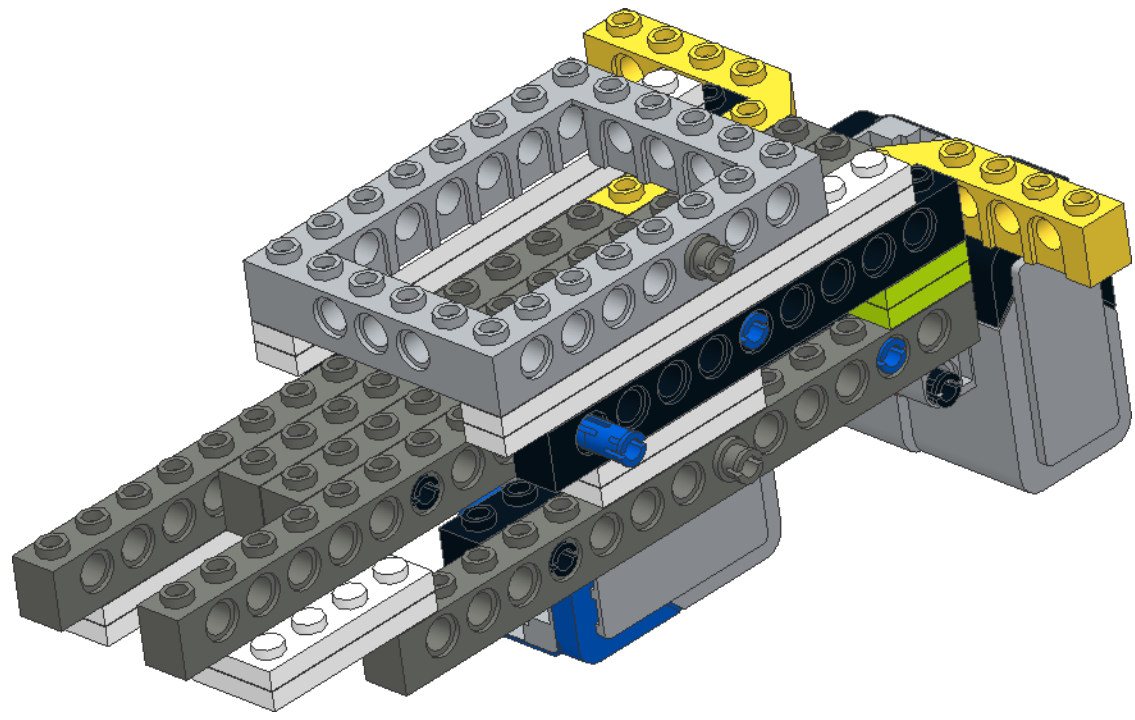
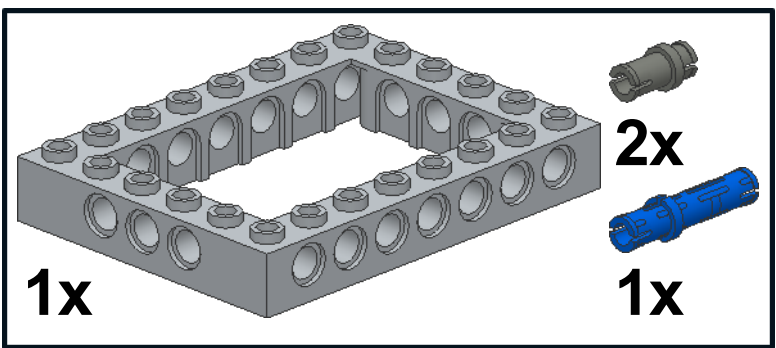
This inset box lists the parts required for step 15. It shows a white 1x8 Technic brick with 8 holes, followed by the quantity '8x' and a yellow 1x8 Technic brick with 8 holes, followed by the quantity '2x'.



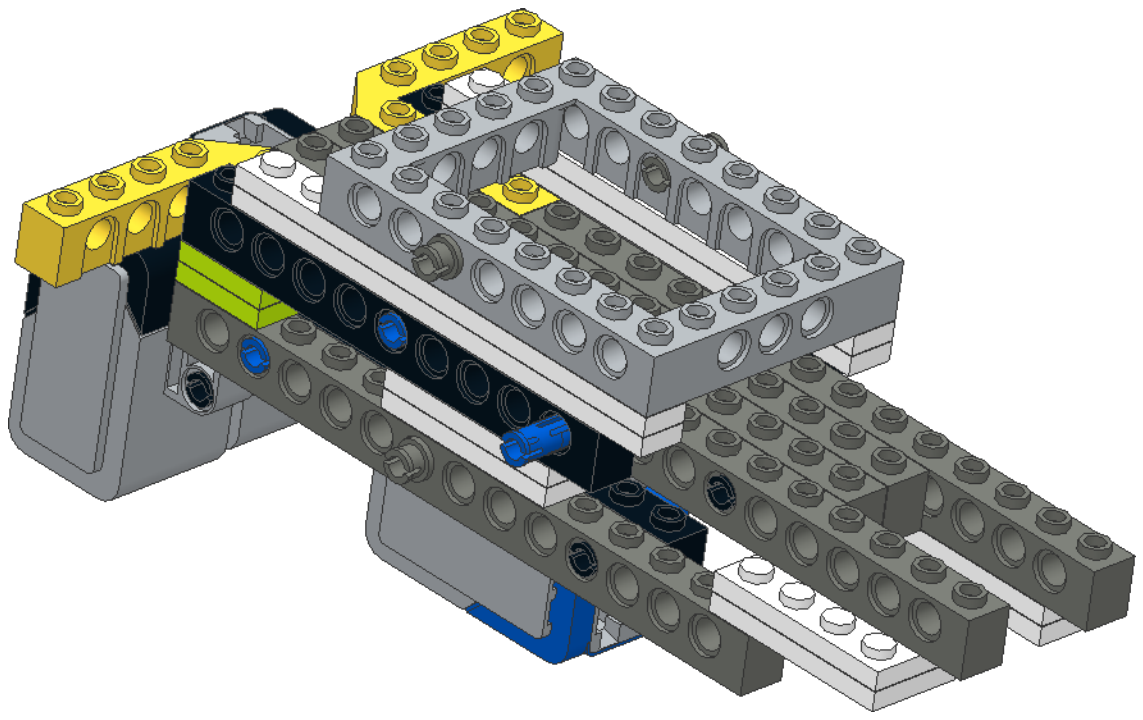
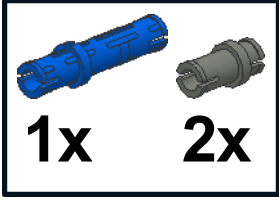
16



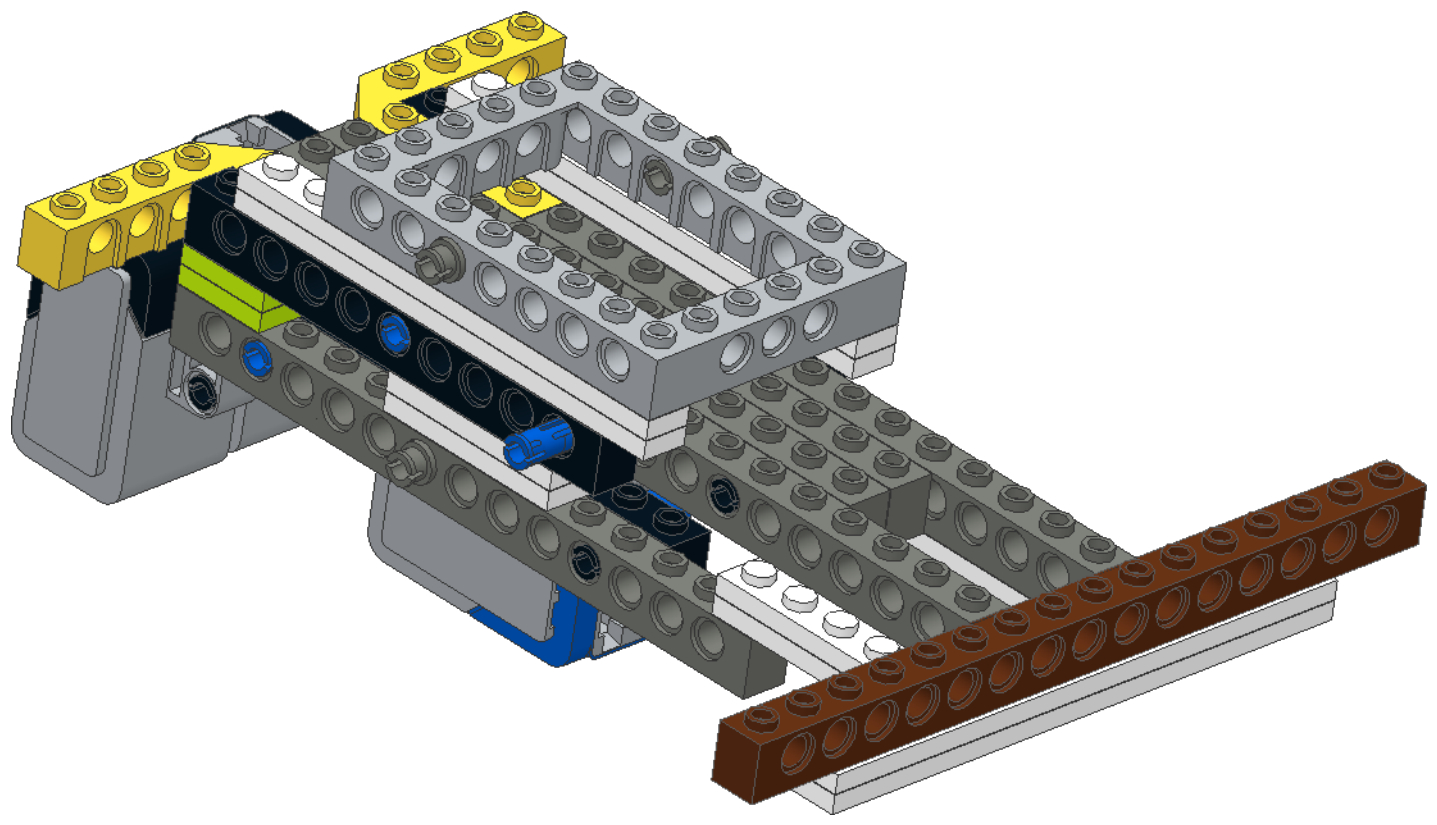
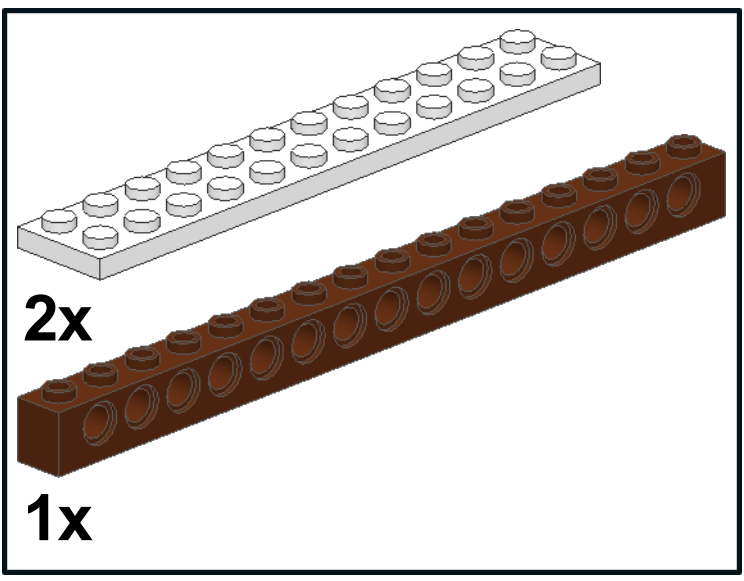
17



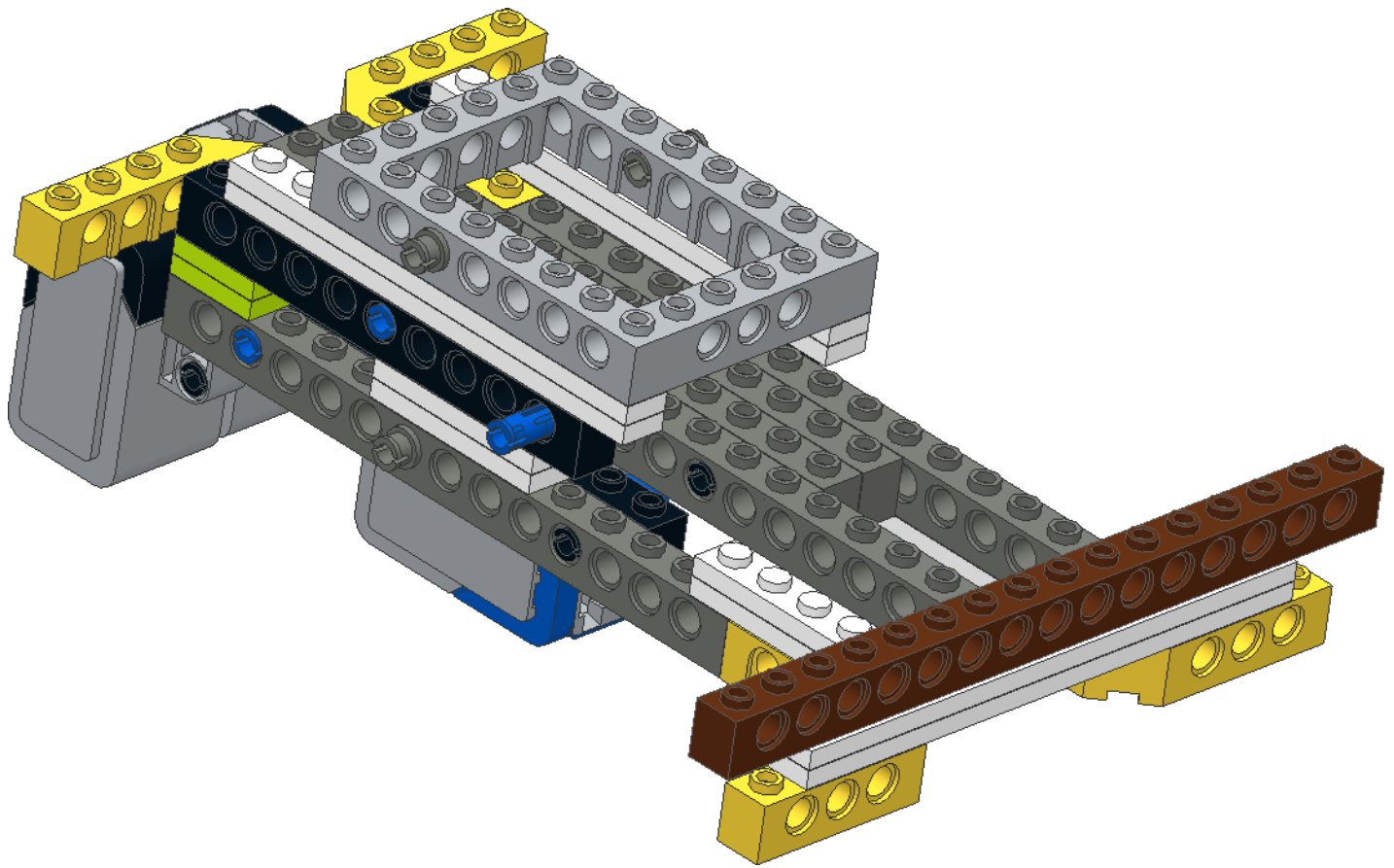
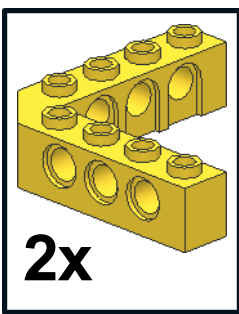
18




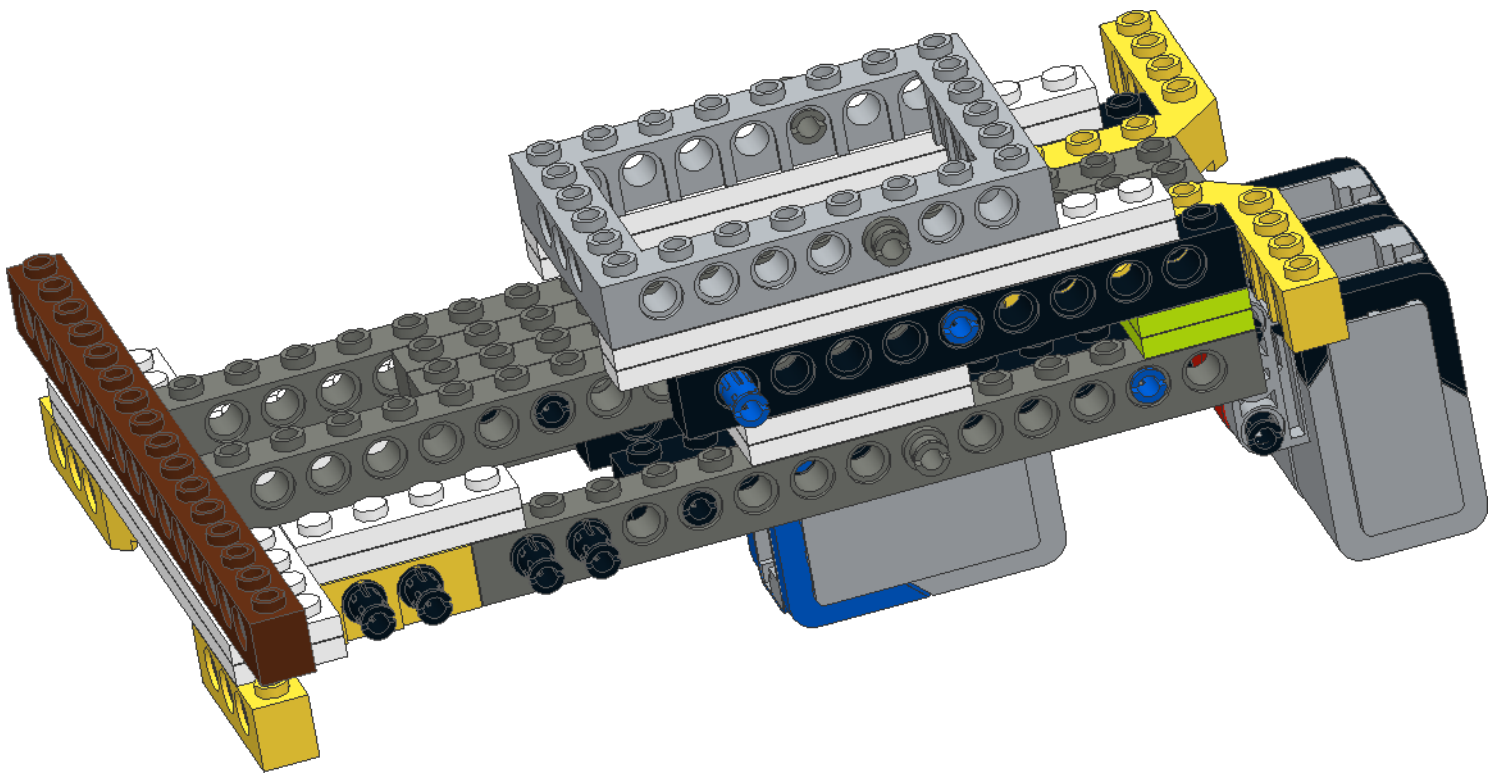
19



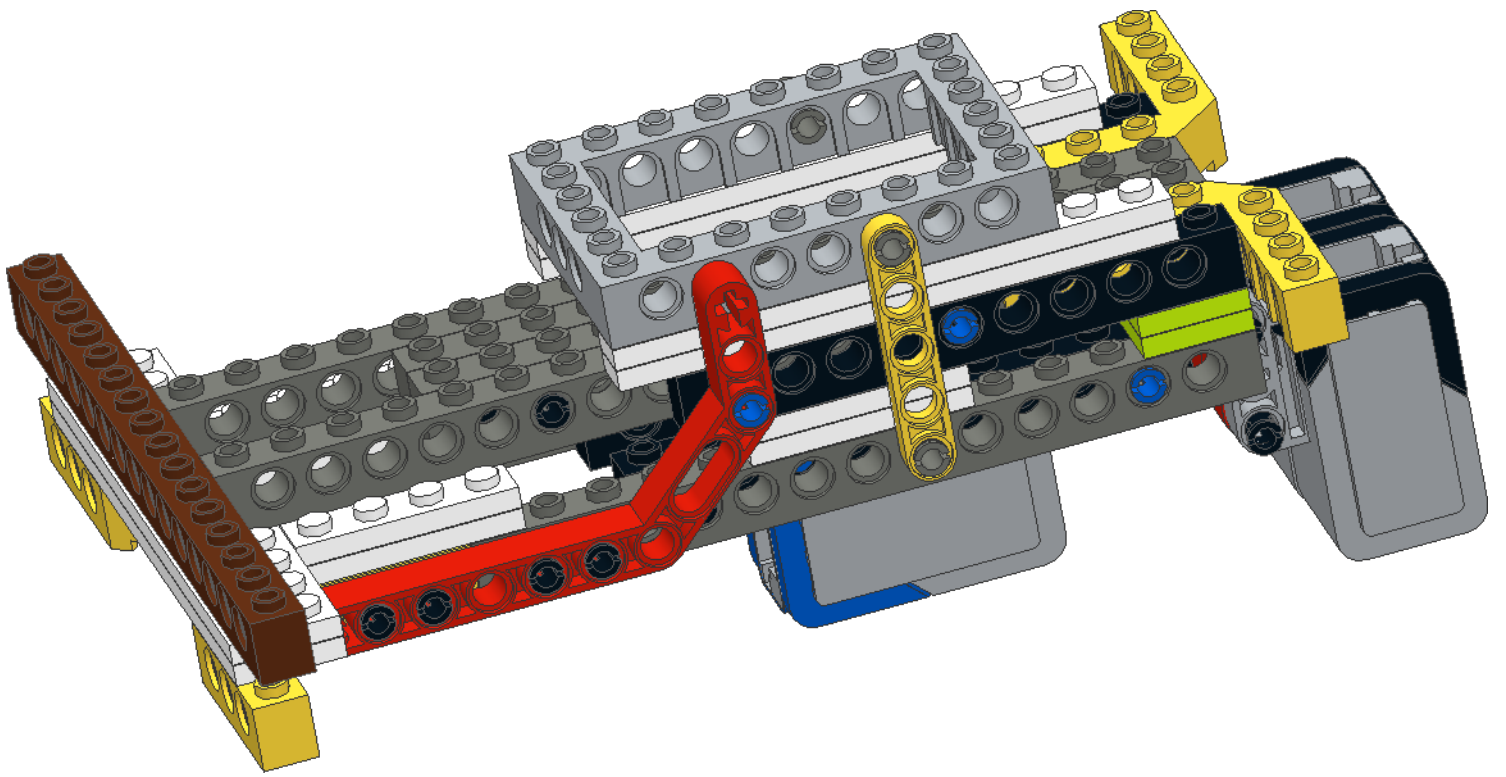
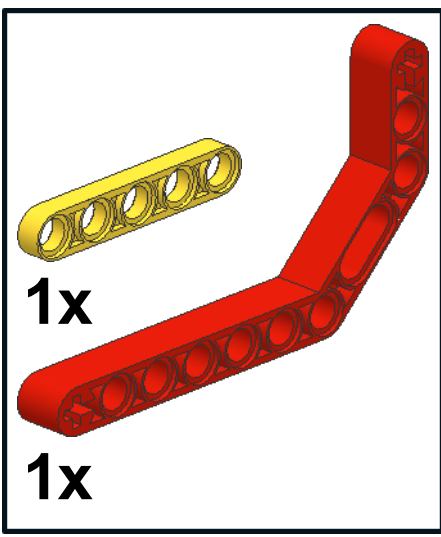
20




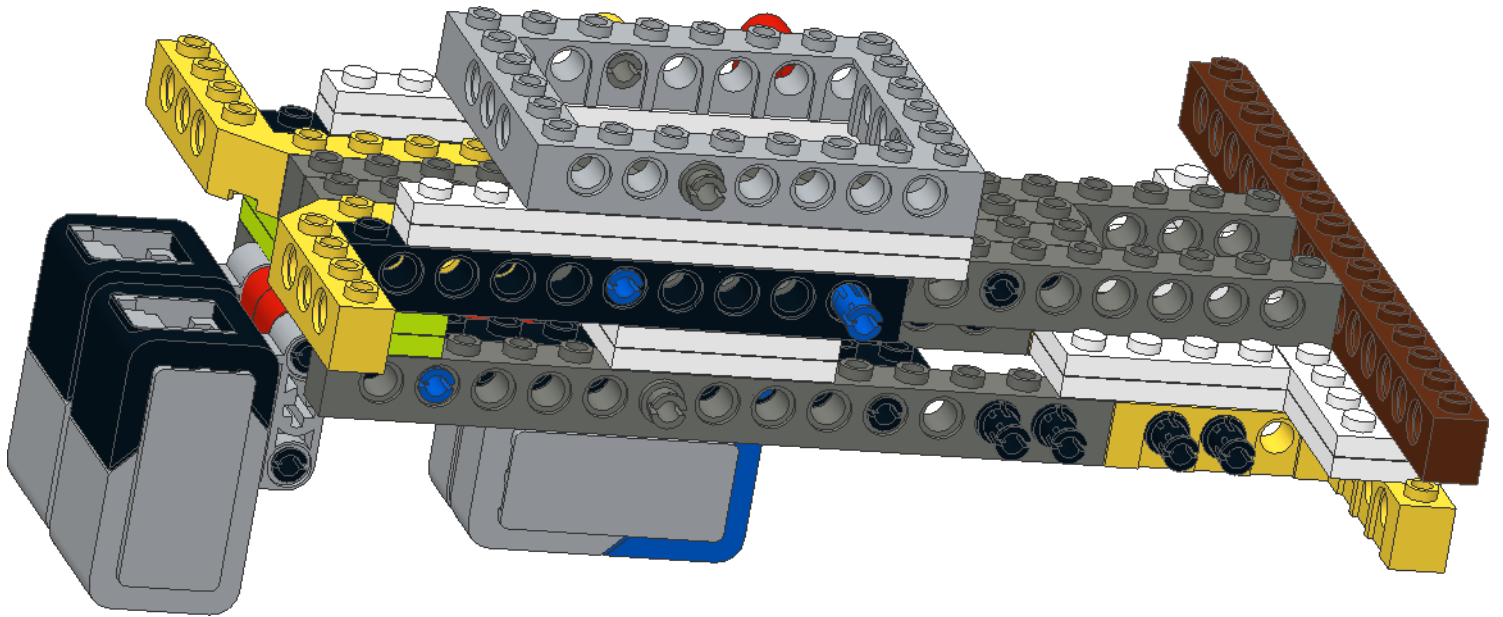
21 
4x



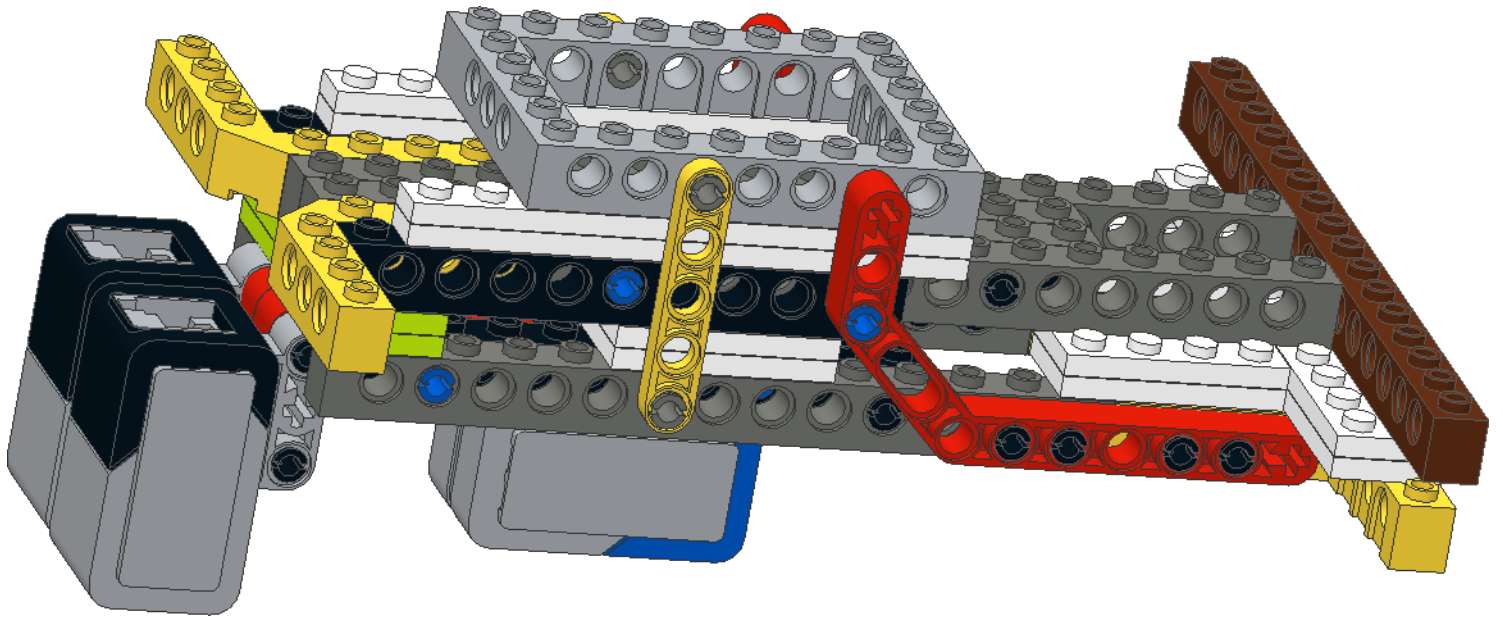
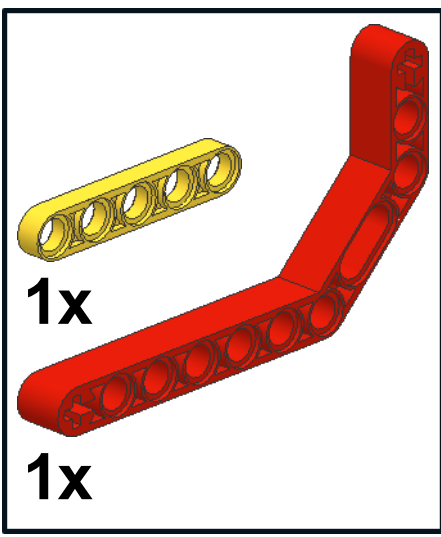
22



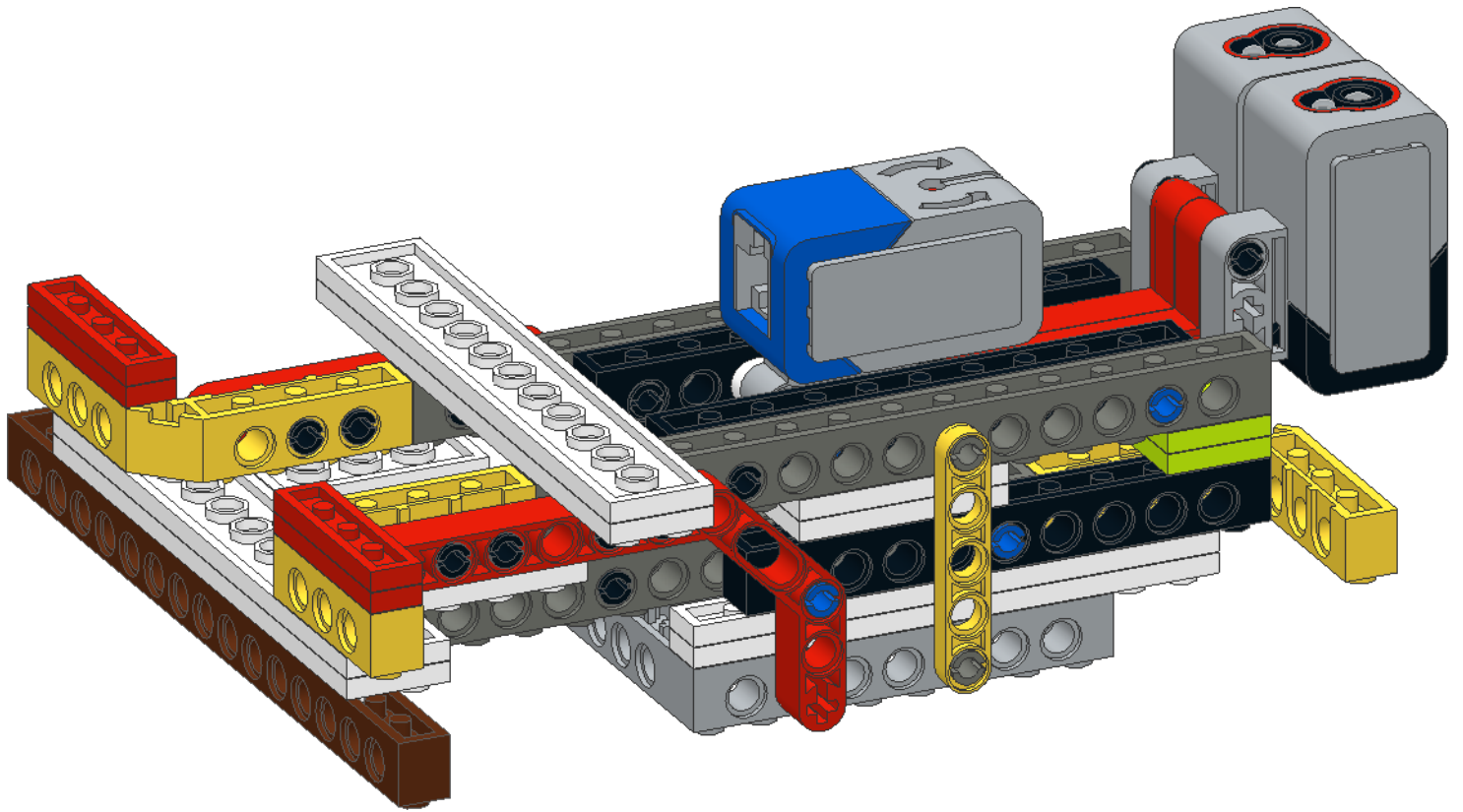
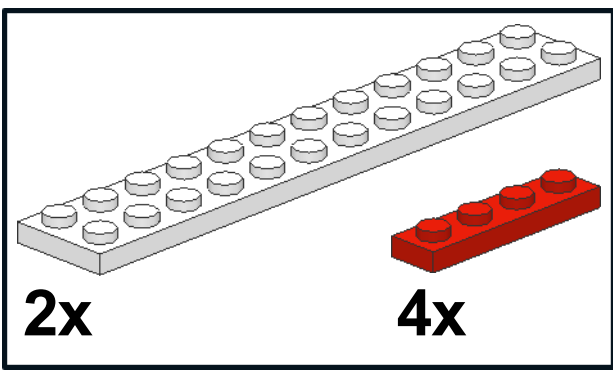
23  4x



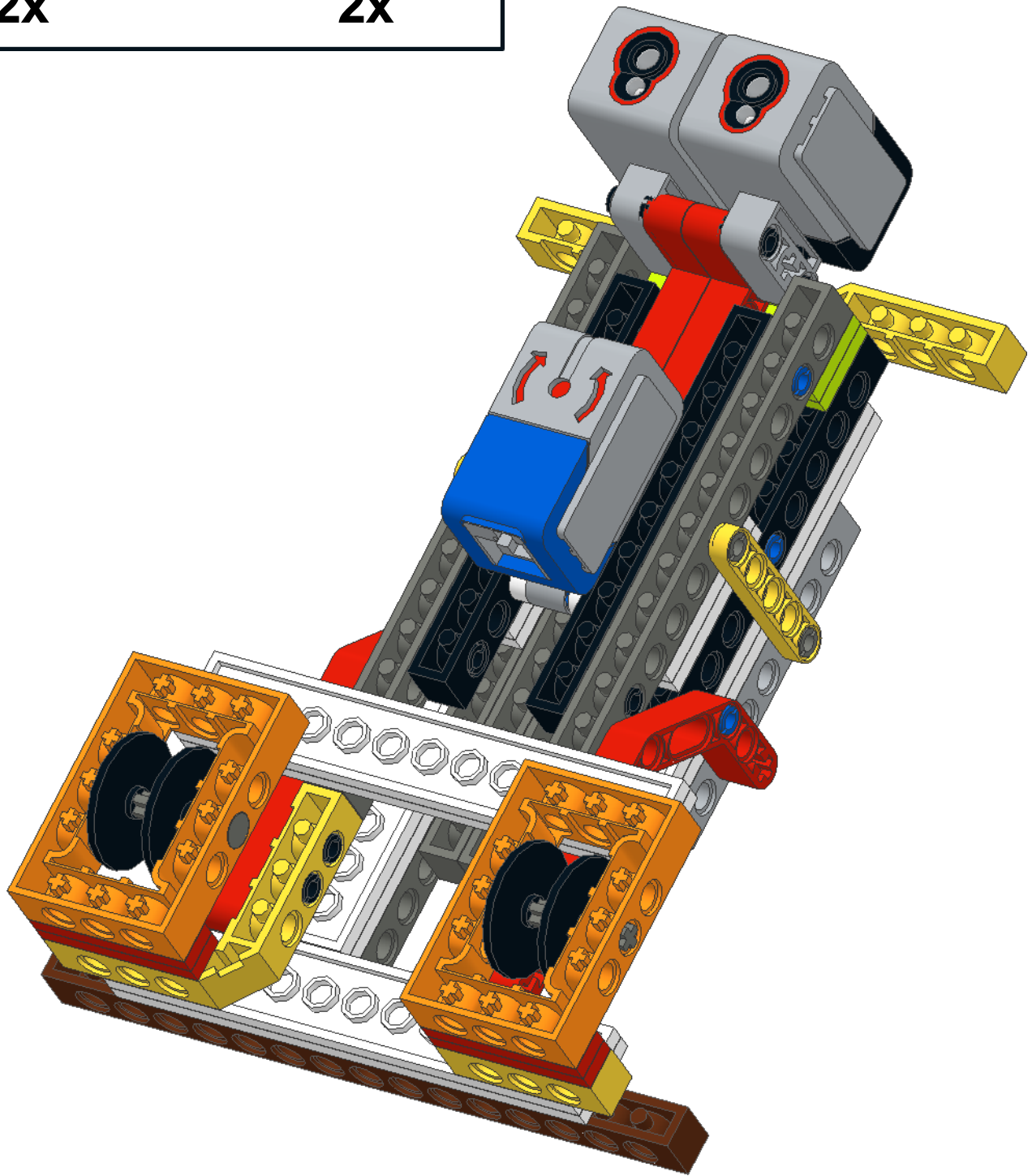
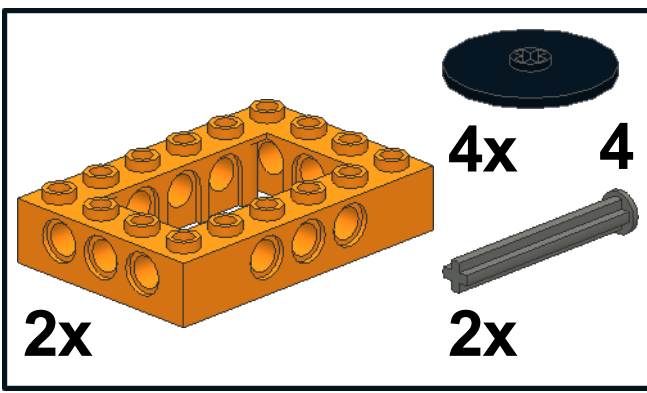
24



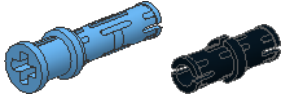
25



26

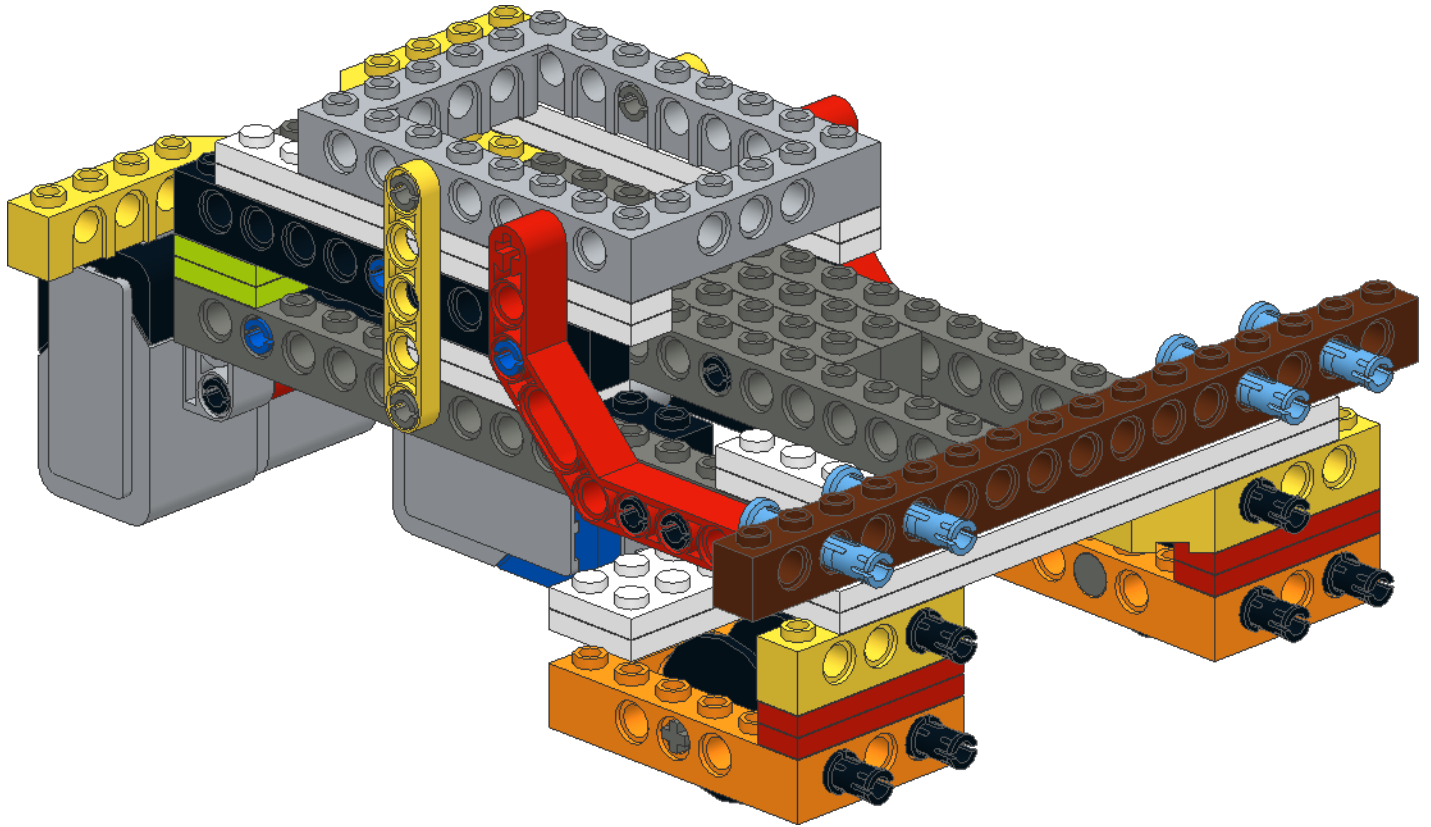


27

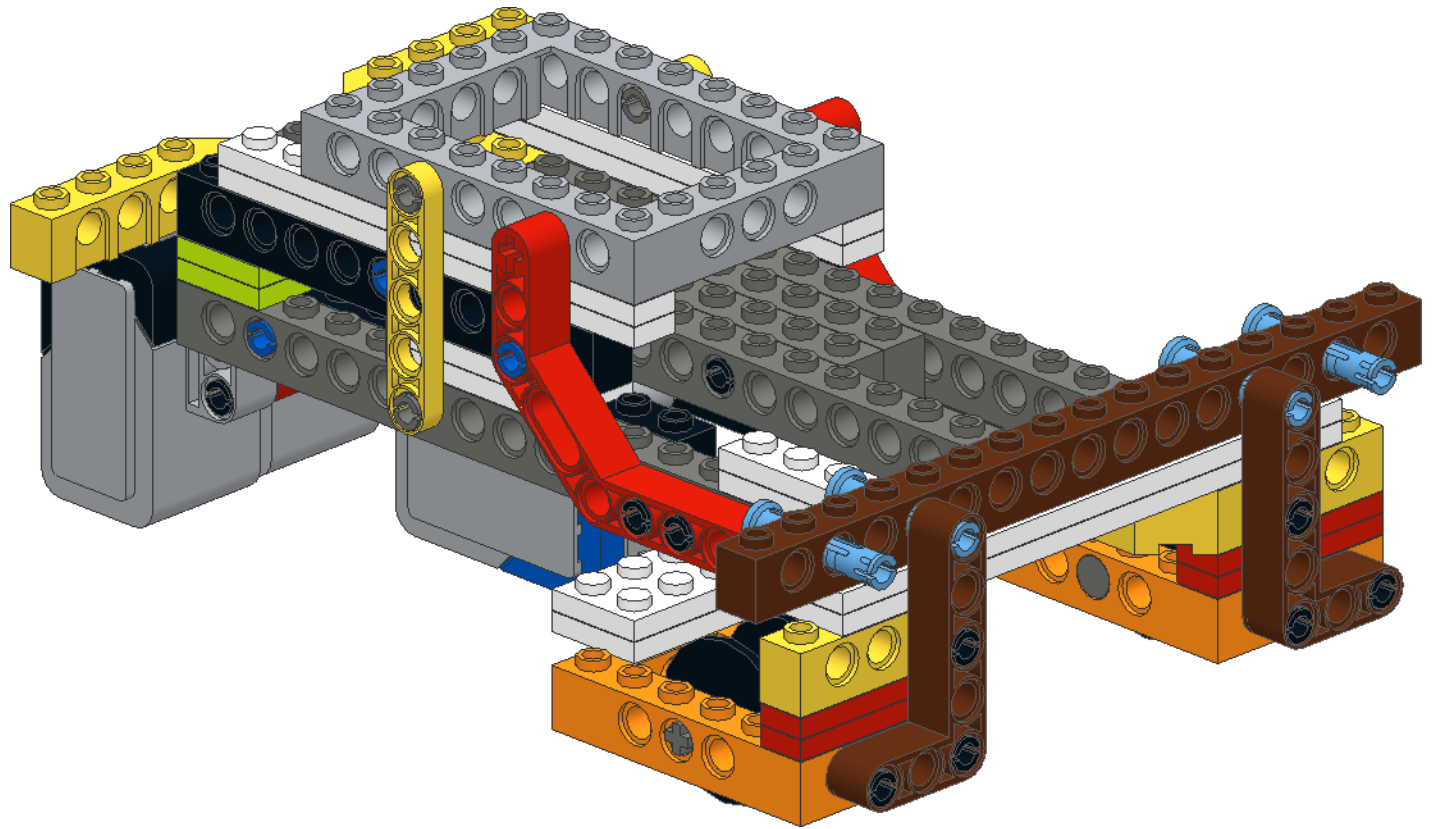
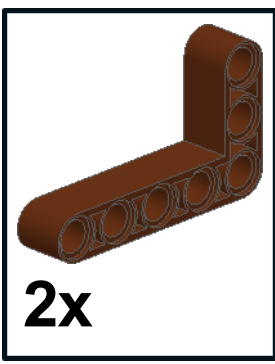


4x

6x

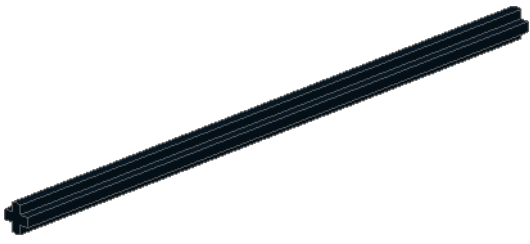


28



29

12



1x

