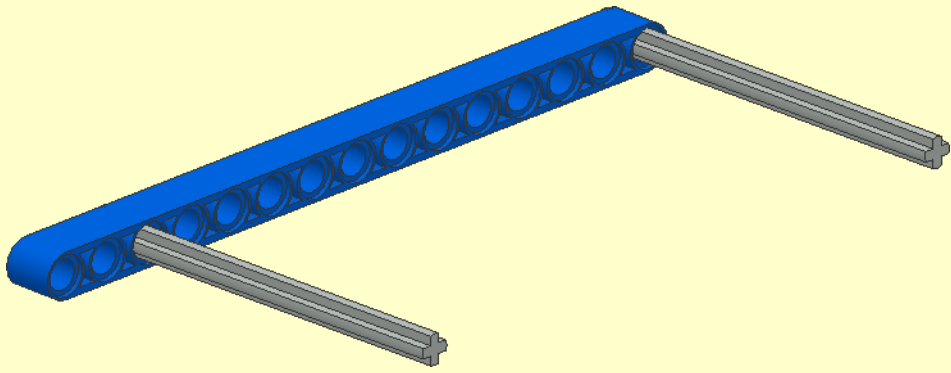
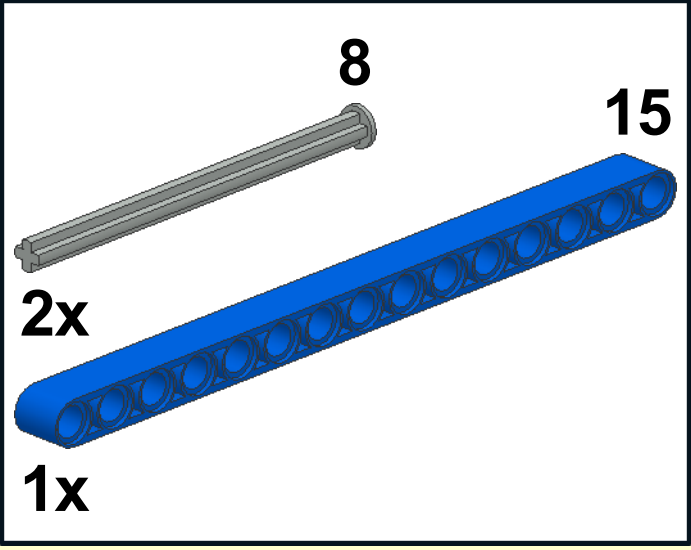
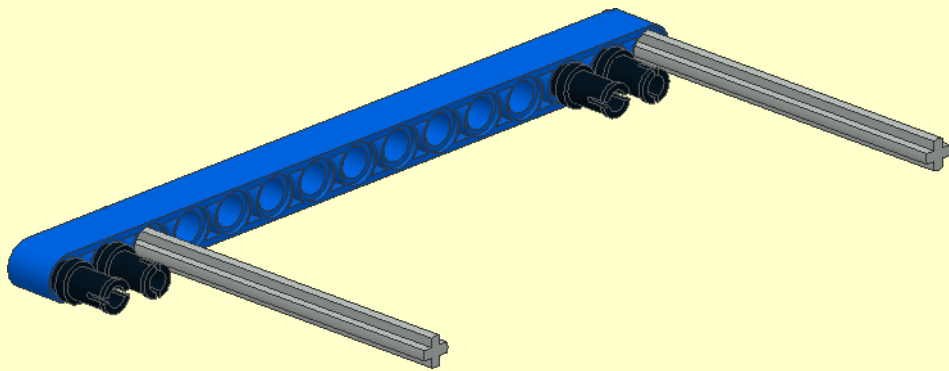
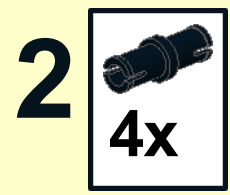


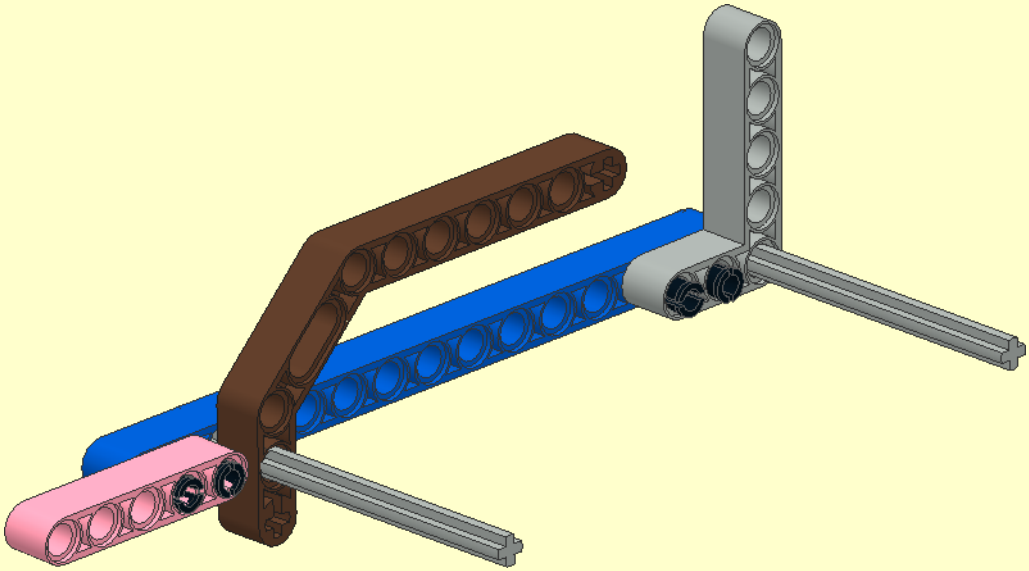
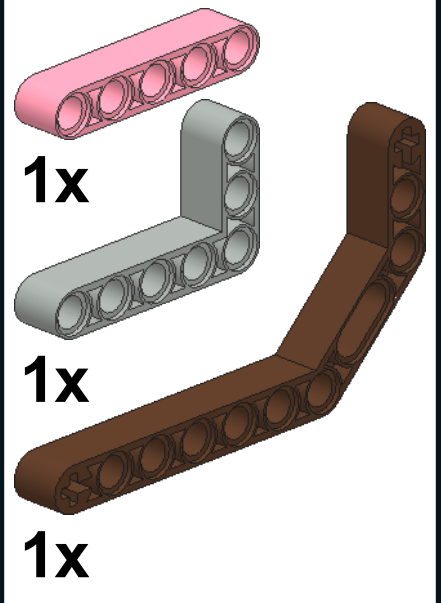
1



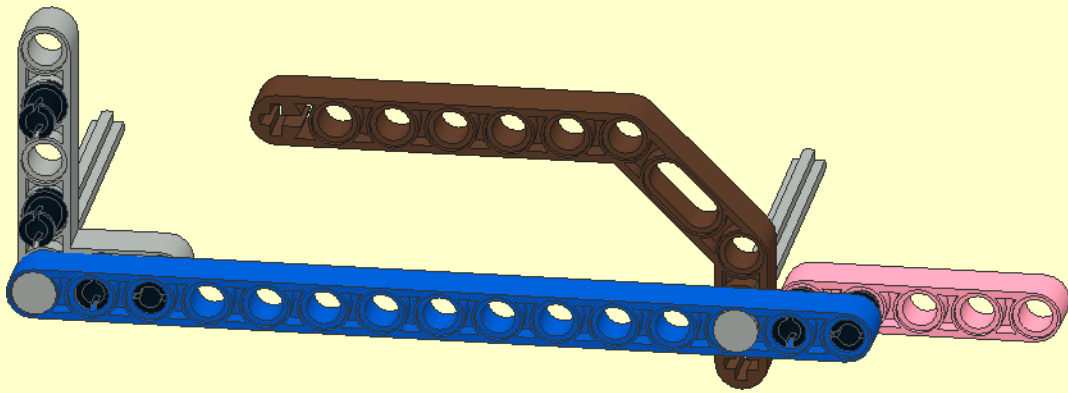


3

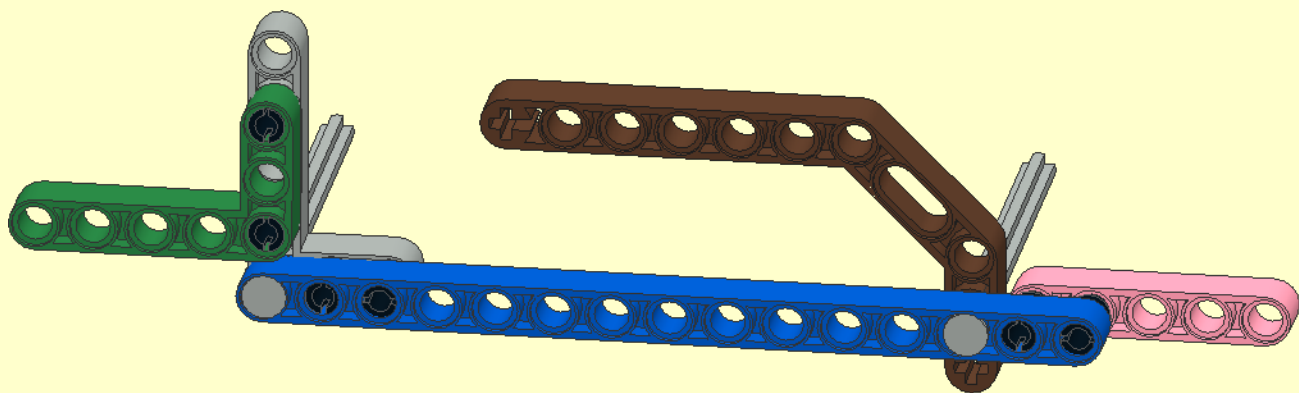
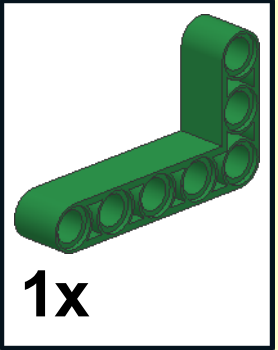
5



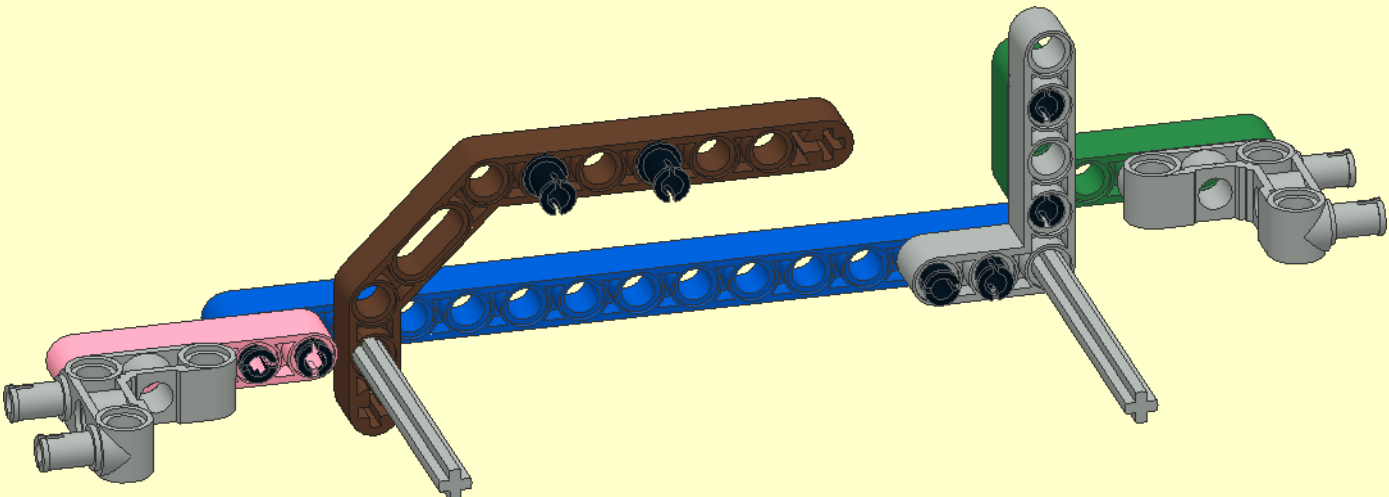
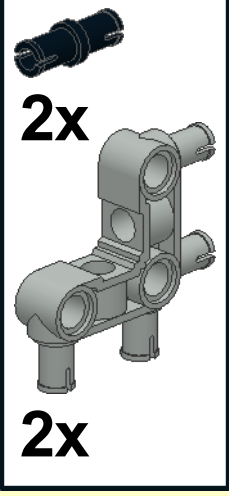
4  2x



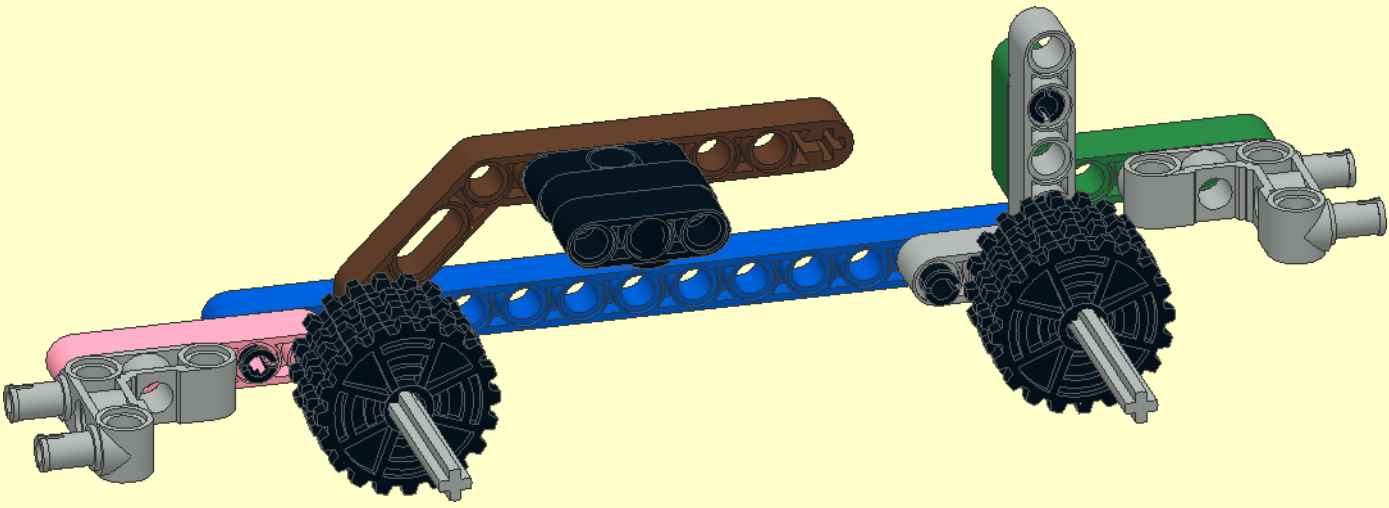
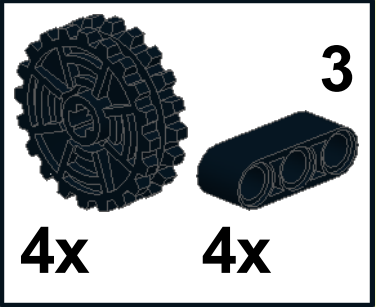
5



6



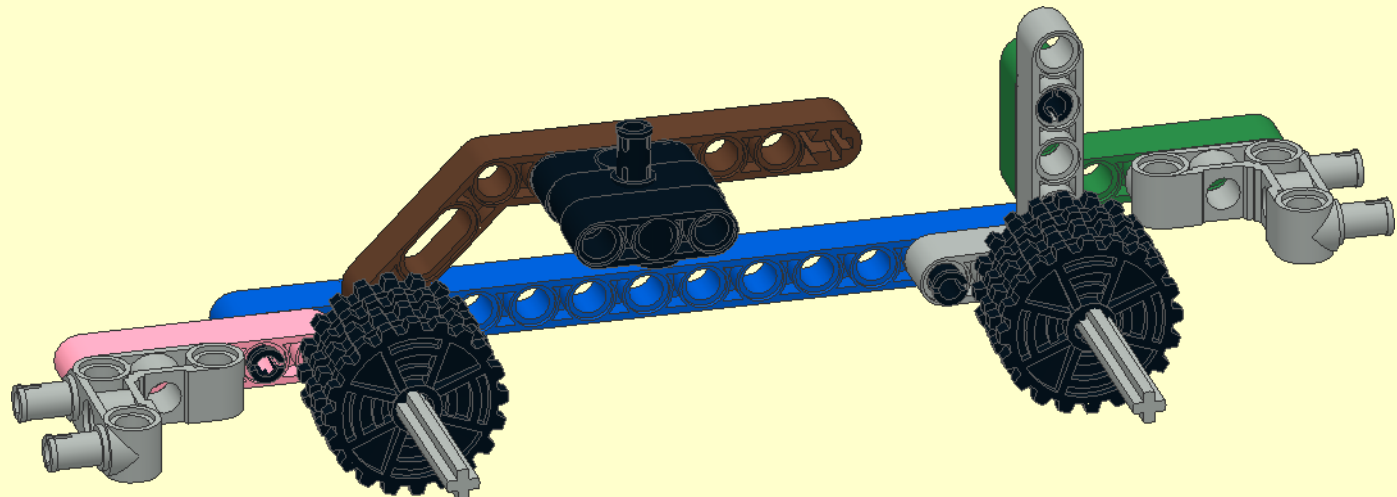
7



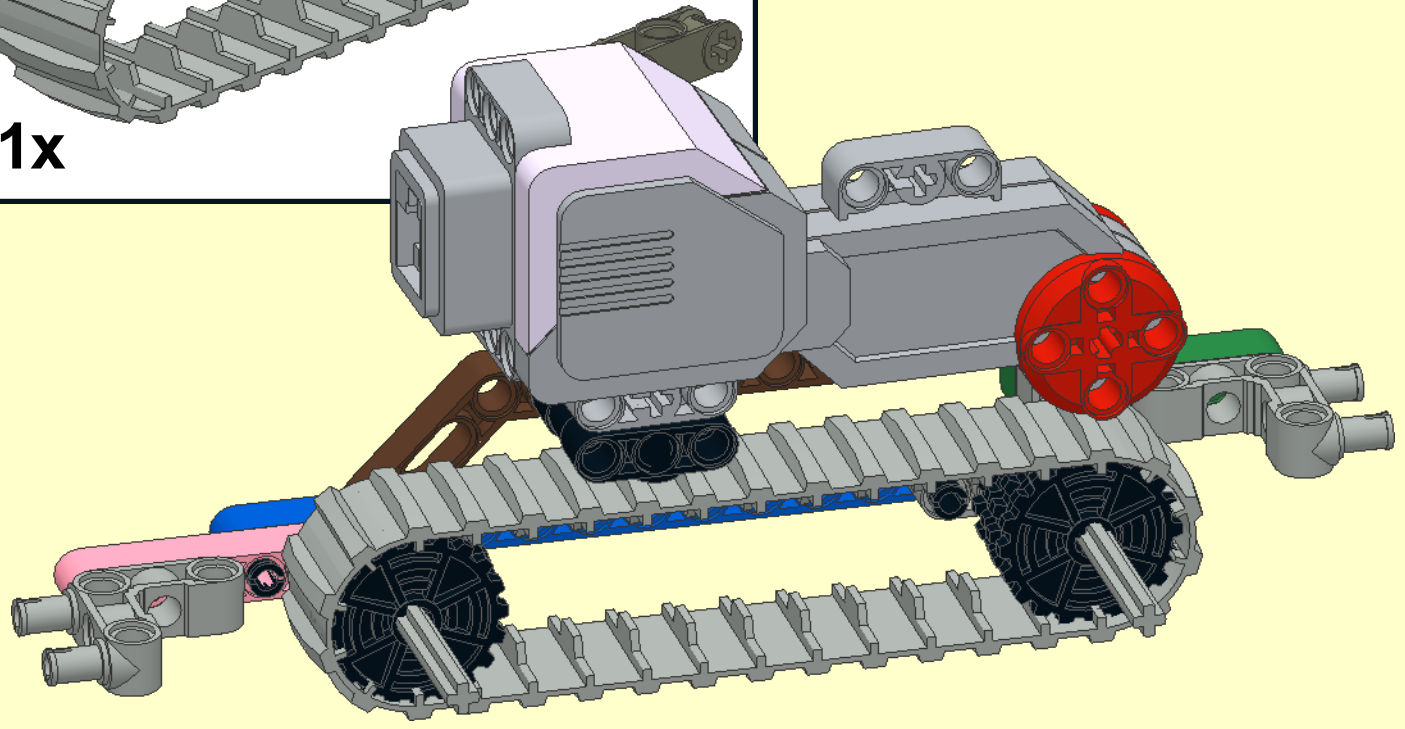
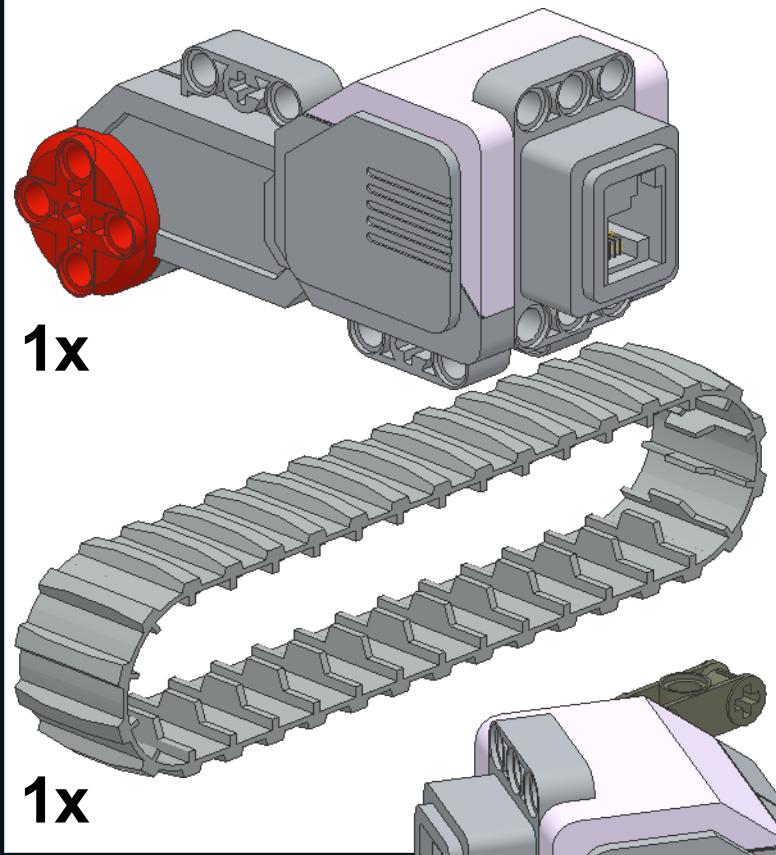
8



1x

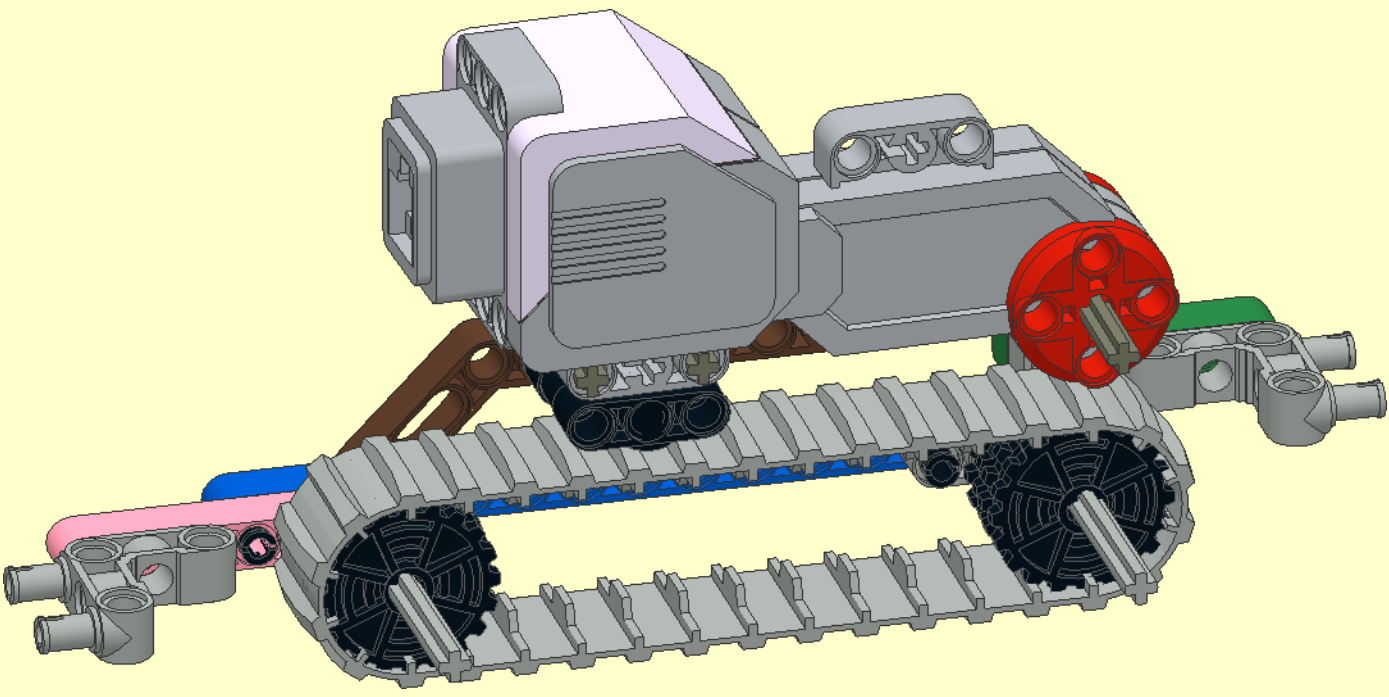
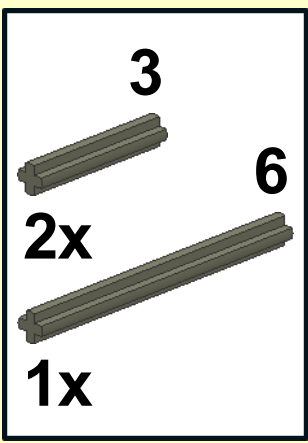


9

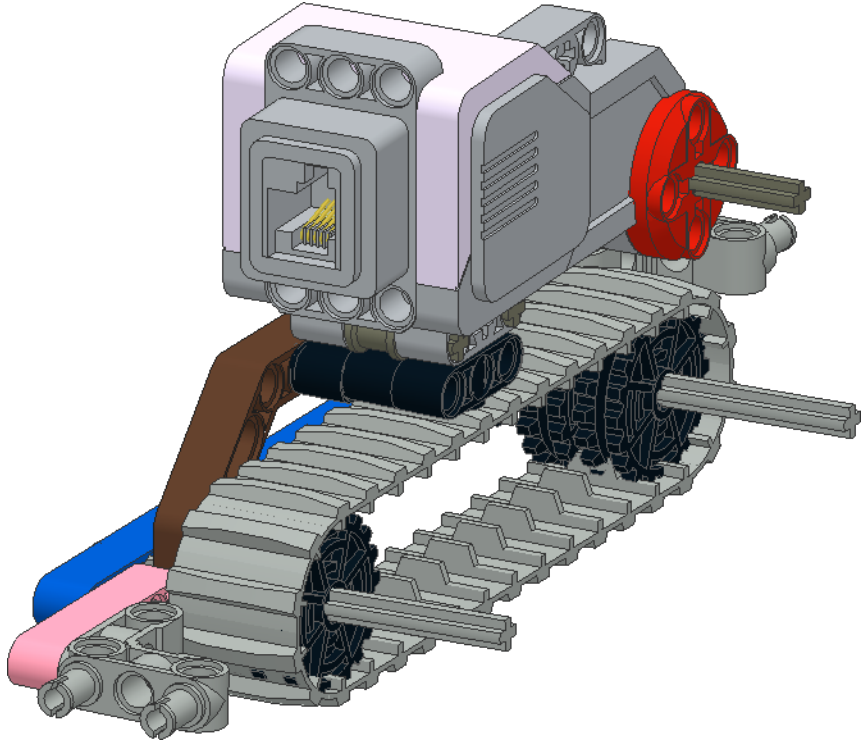


10

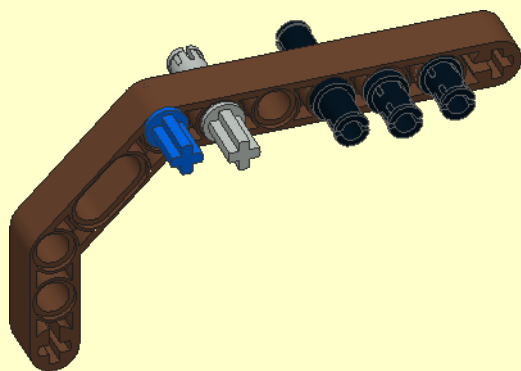
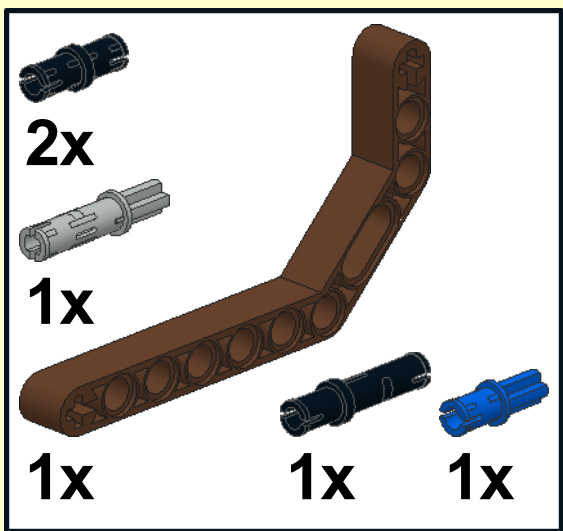
3
2x
1x
6



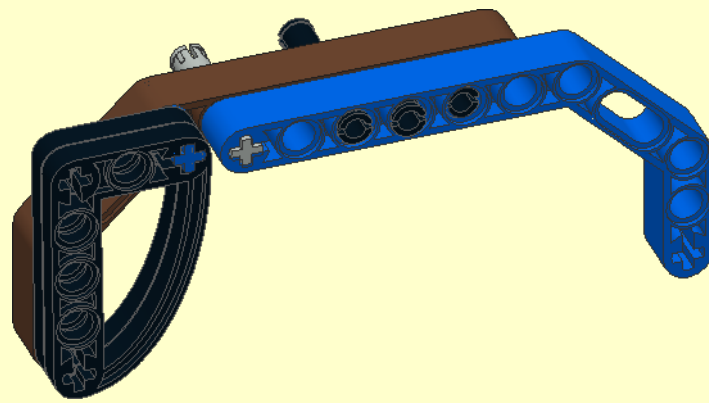
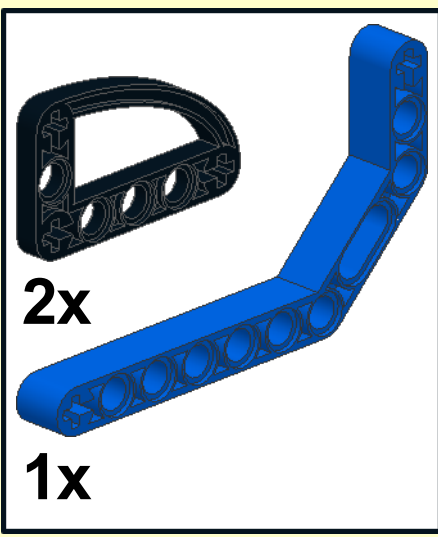
1





1

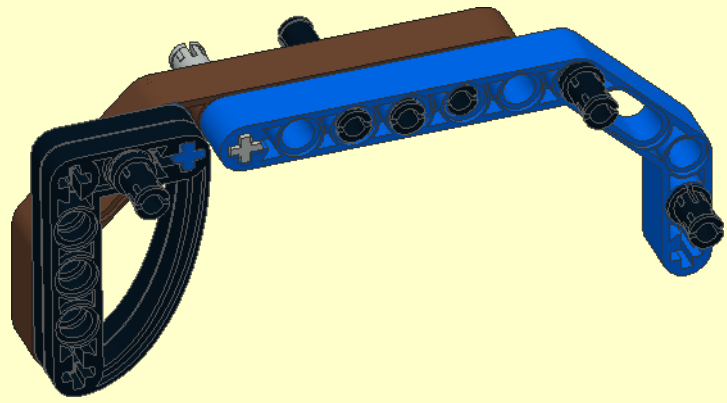


2



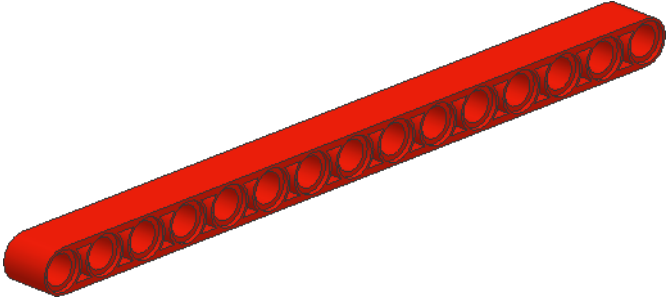
3

-  1x
-  2x

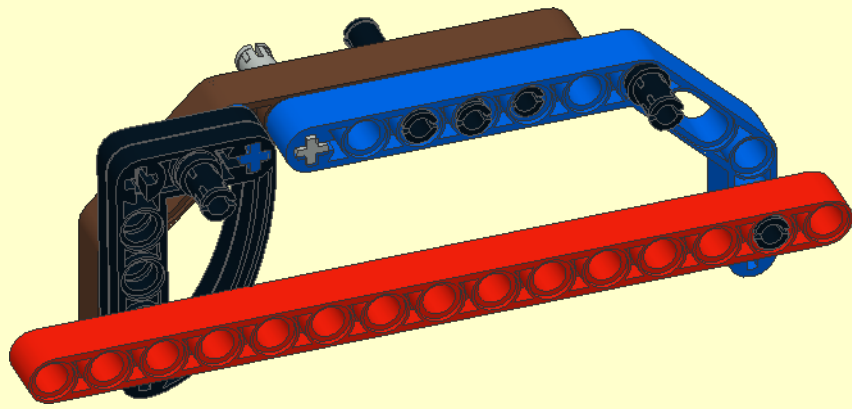


4

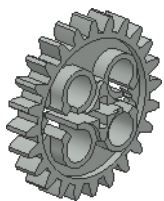
15



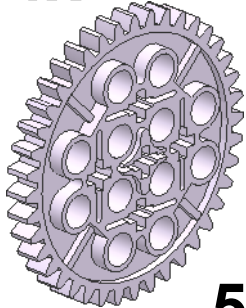
1x



5

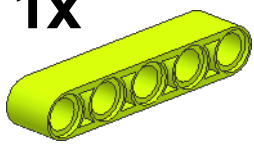


1x

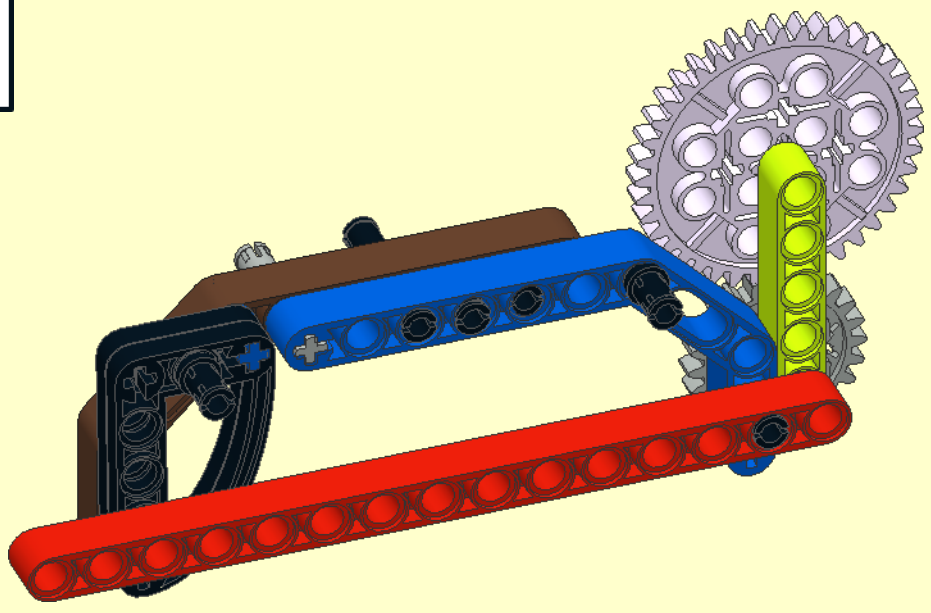


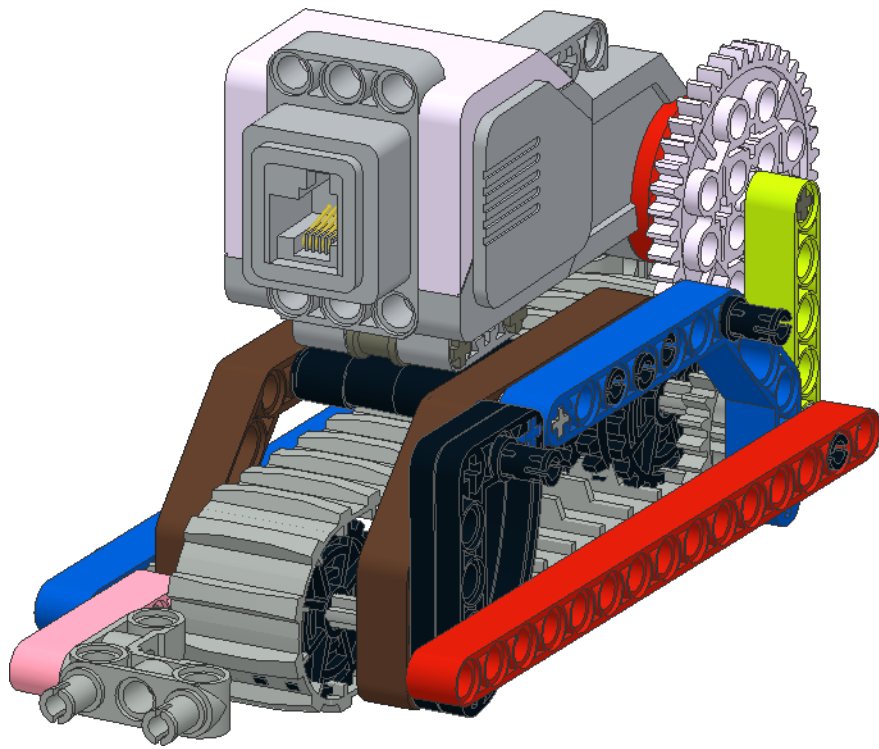
1x

5

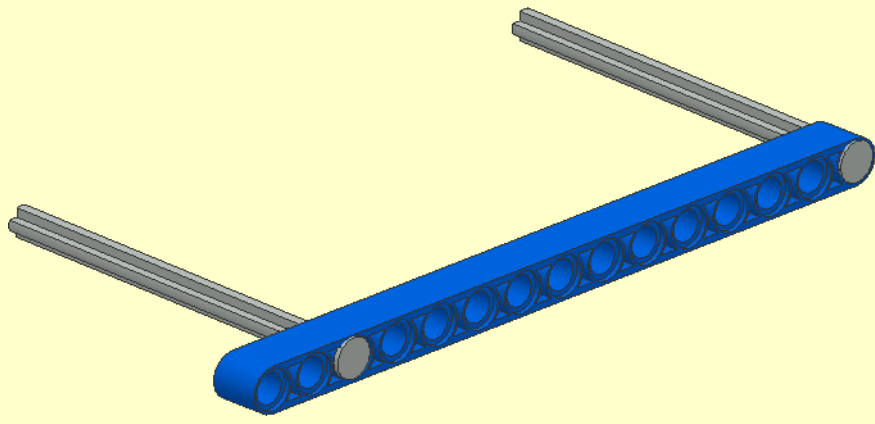
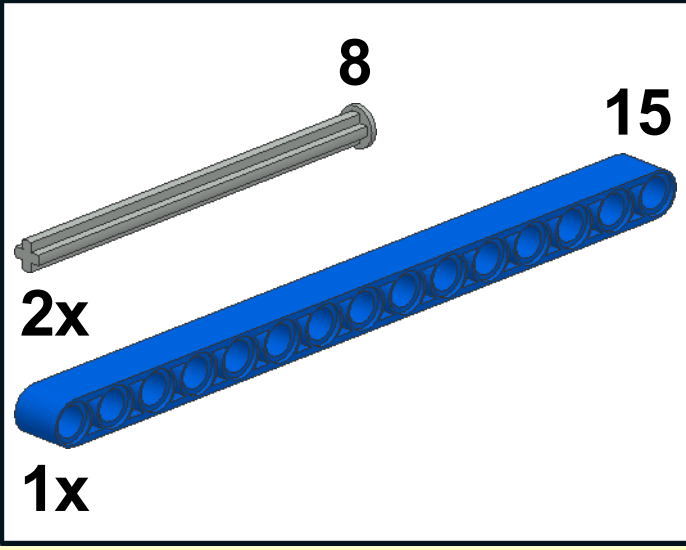


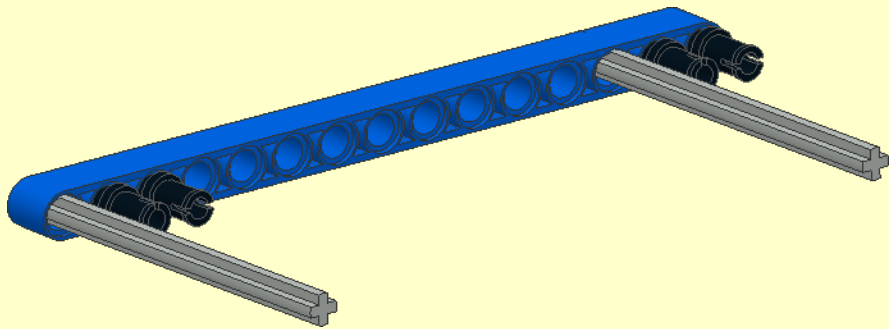
1x





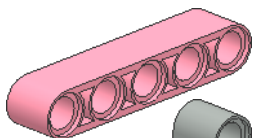
1



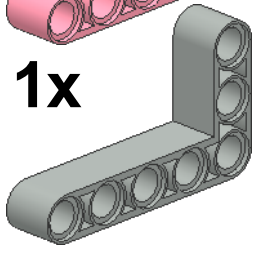


3

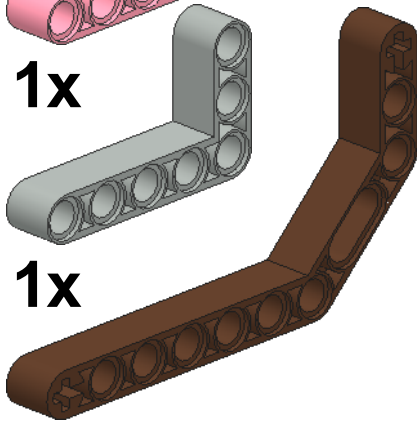
5



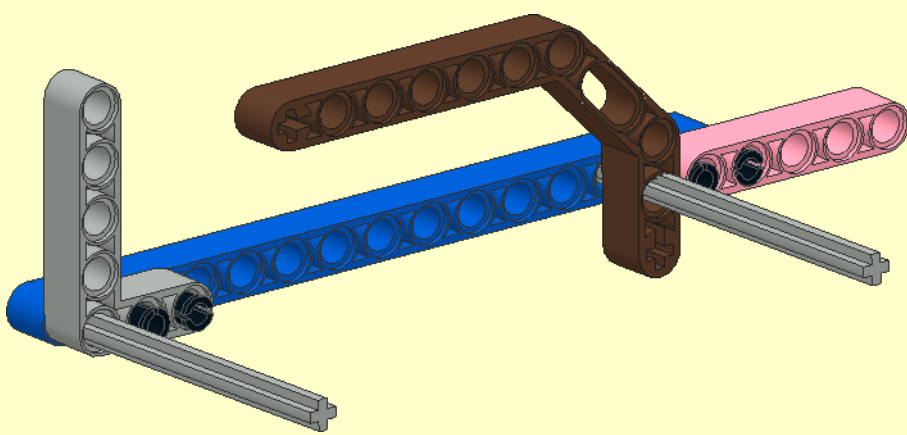
1x



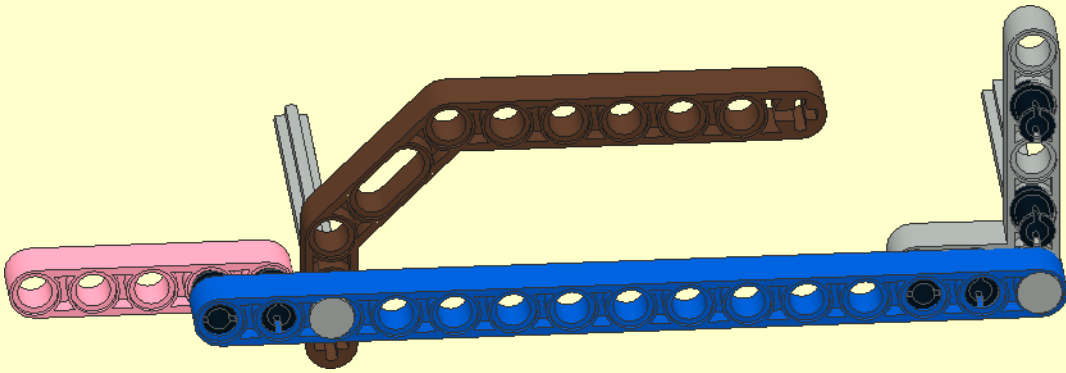
1x



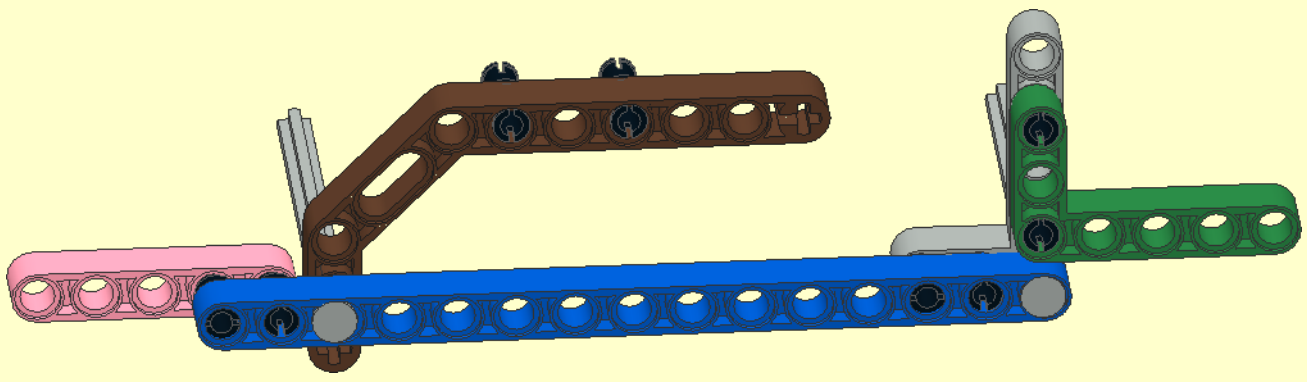
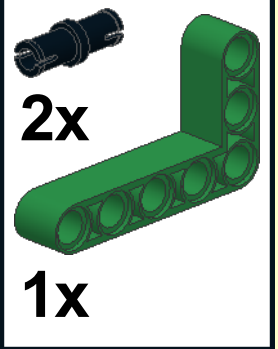
1x



4
2x



5



6

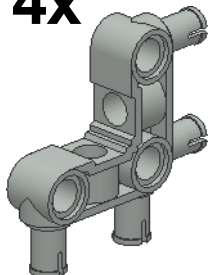
3



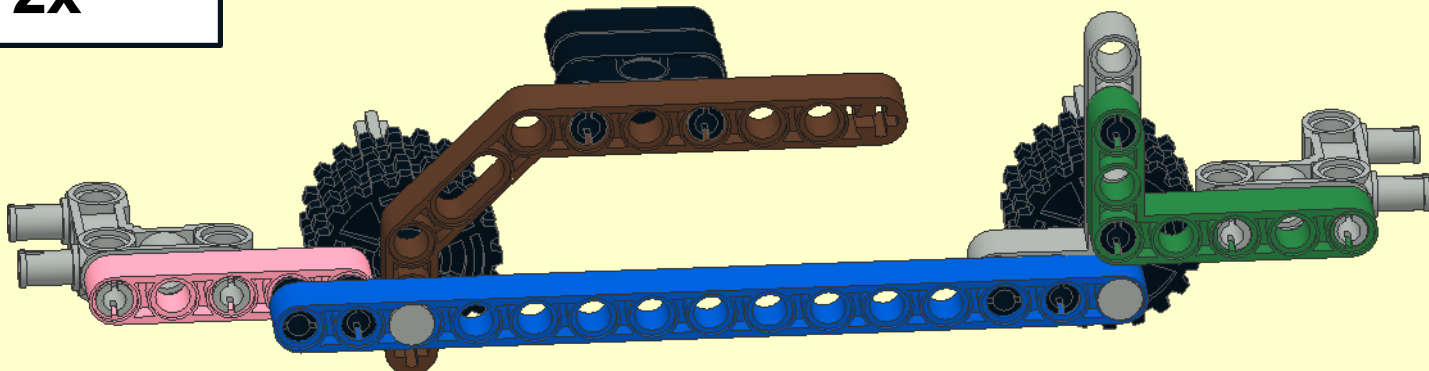
4x



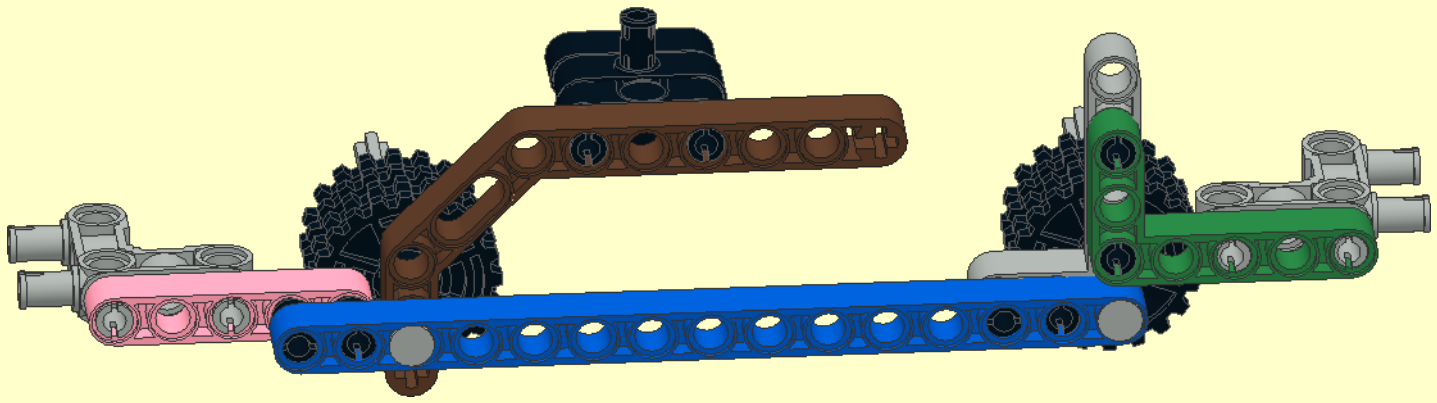
4x



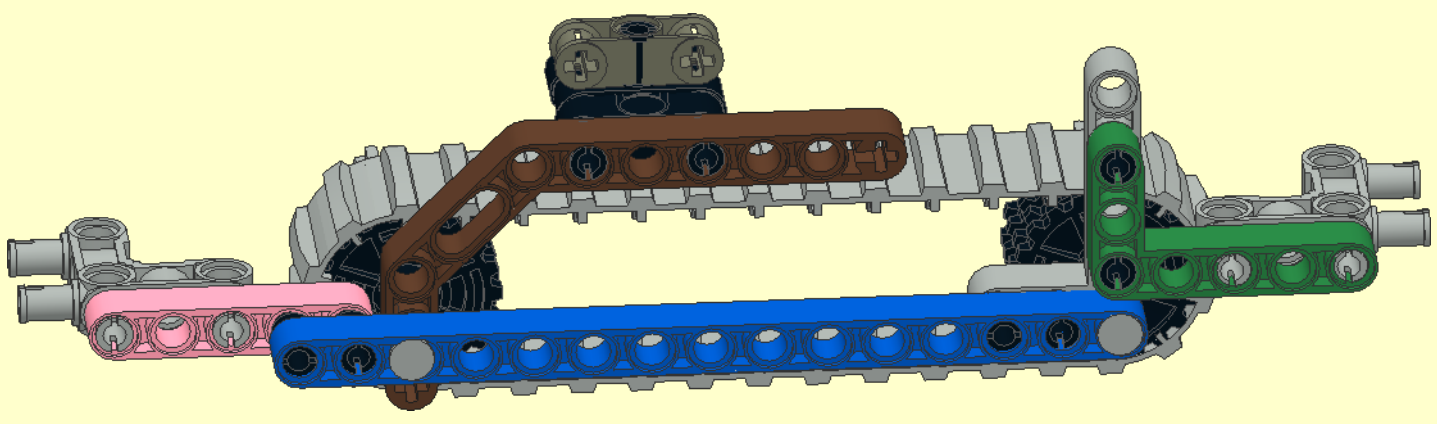
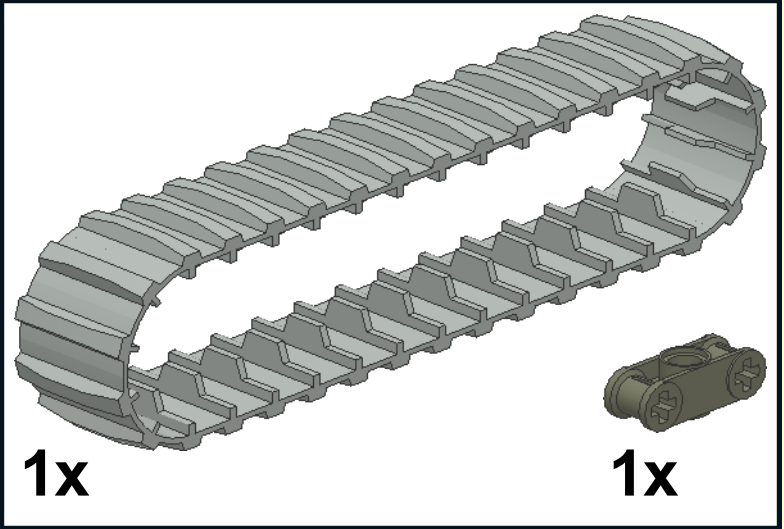
2x



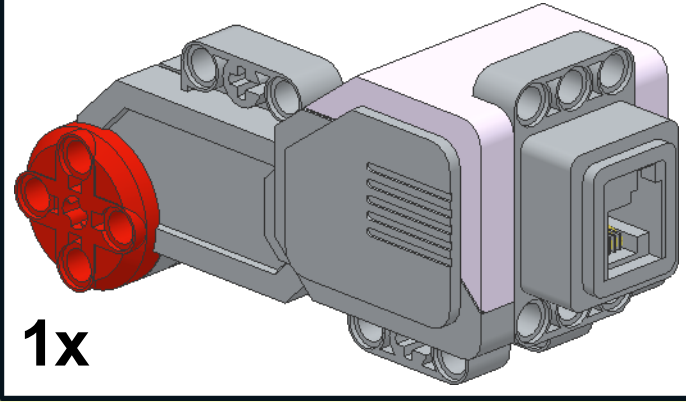
7



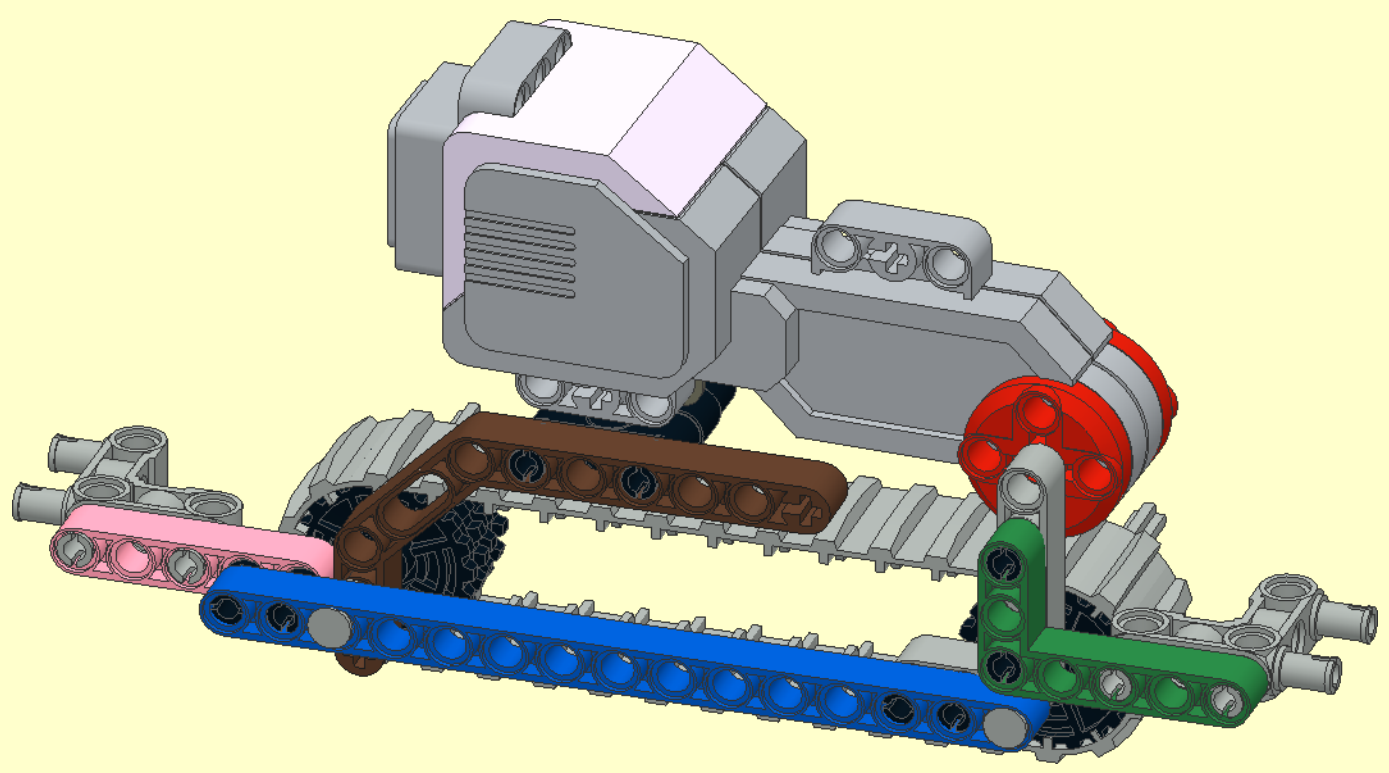
8



9

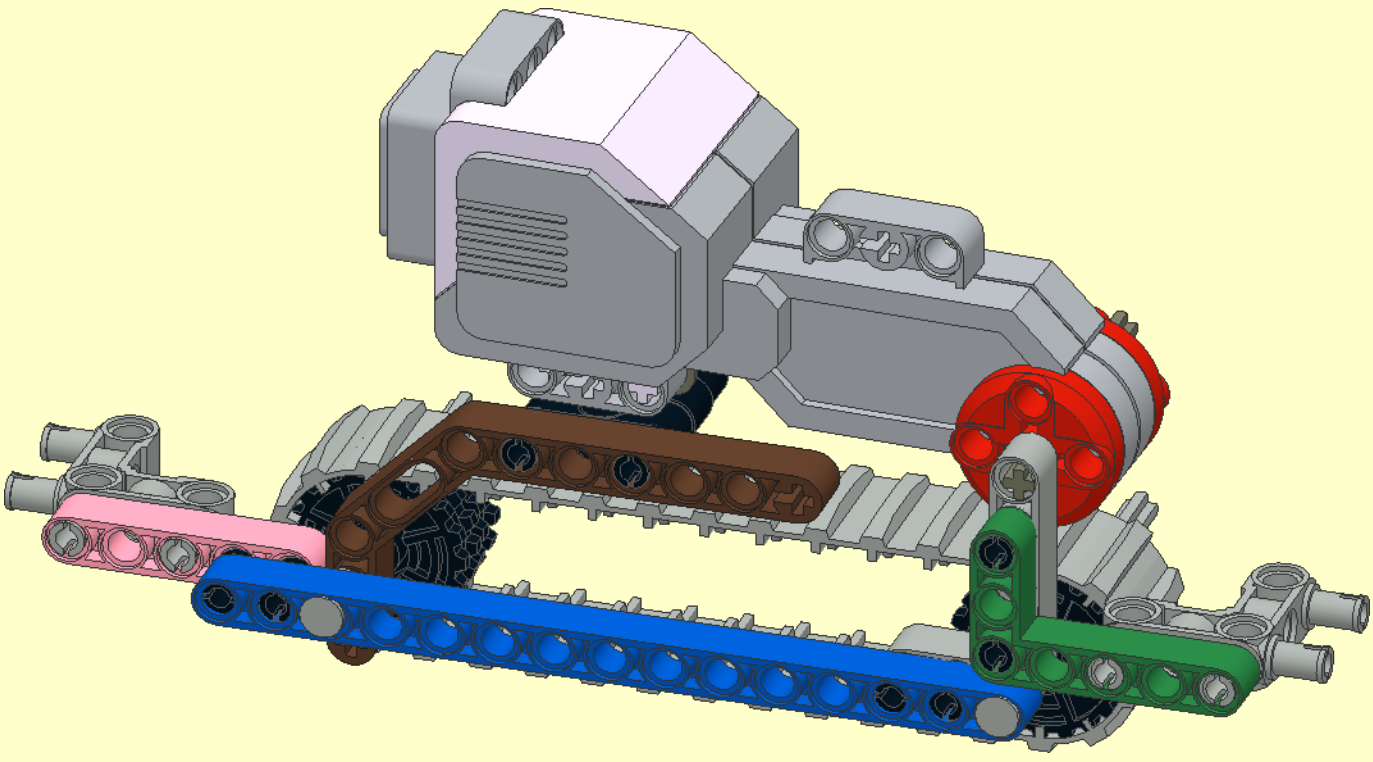
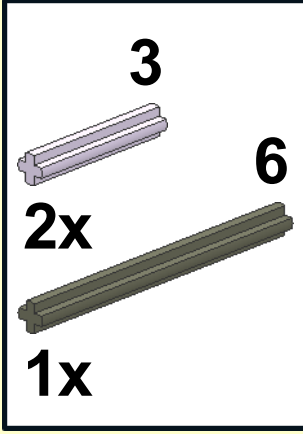


1x

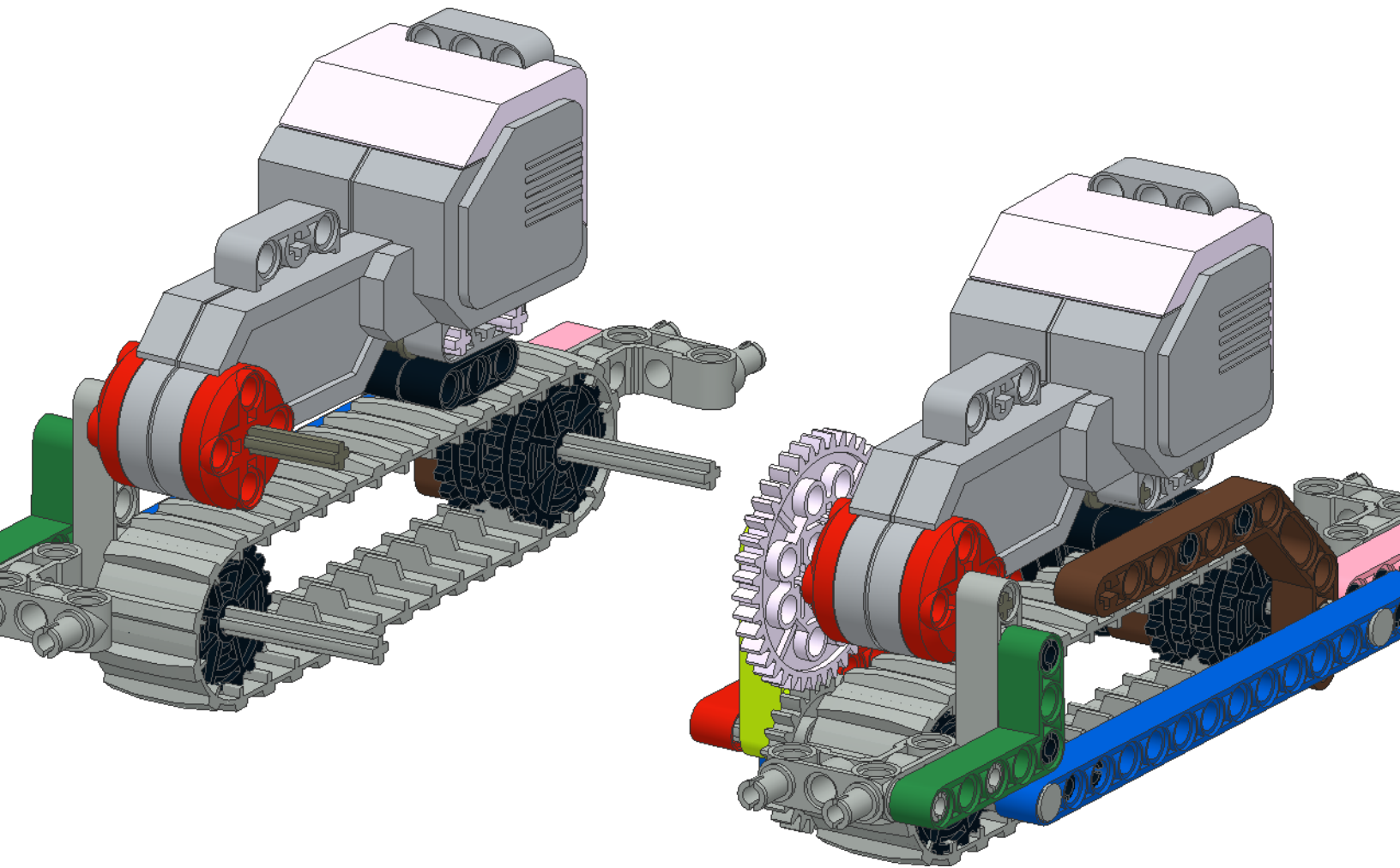


10

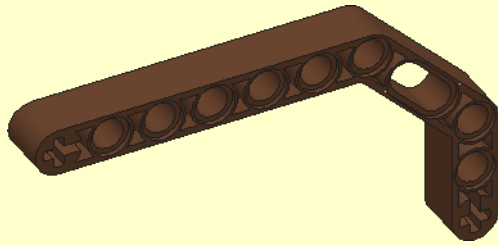
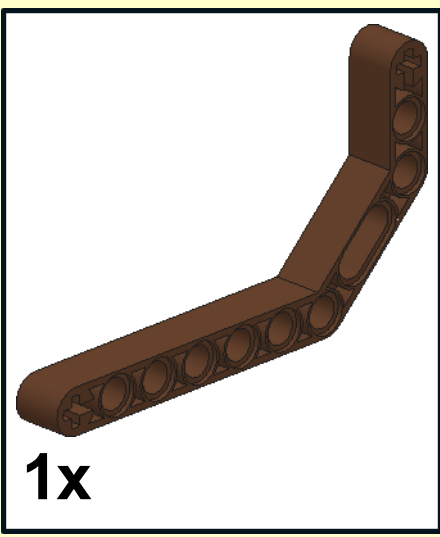
3
2x
1x
6



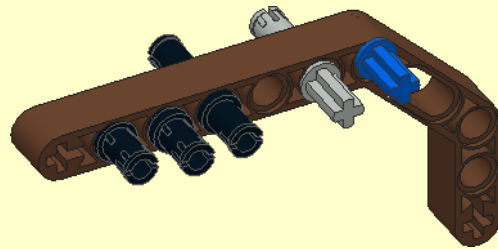
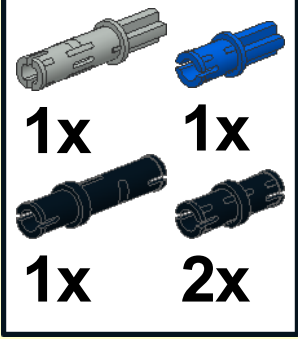
3



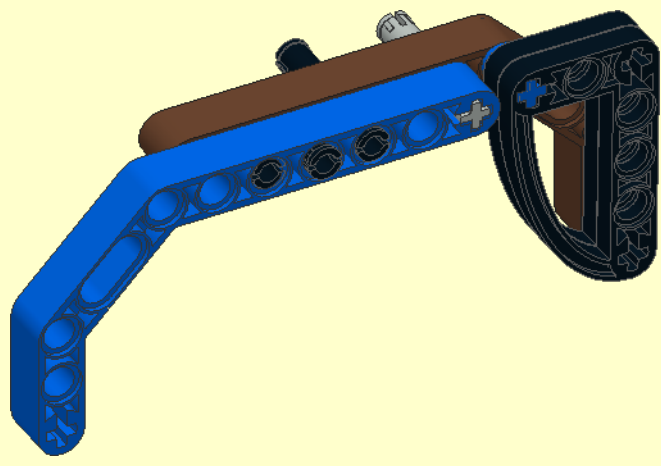
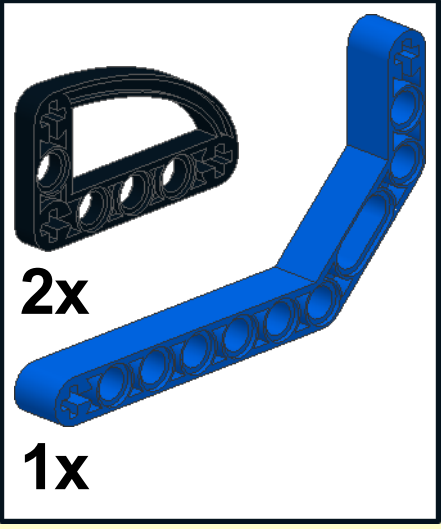
1



2



3



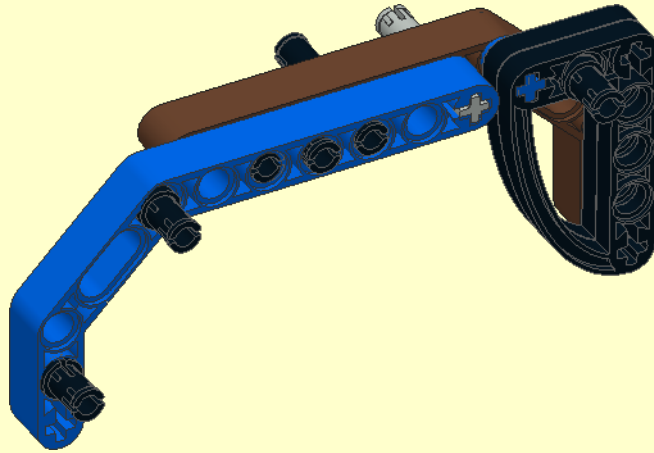
4



1x



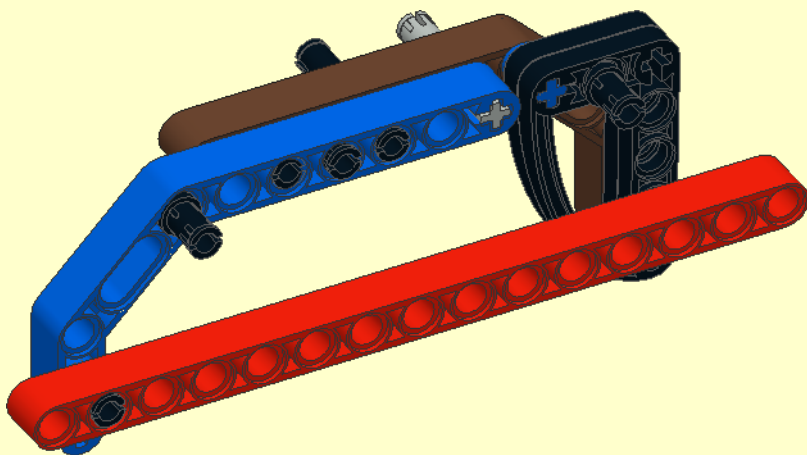
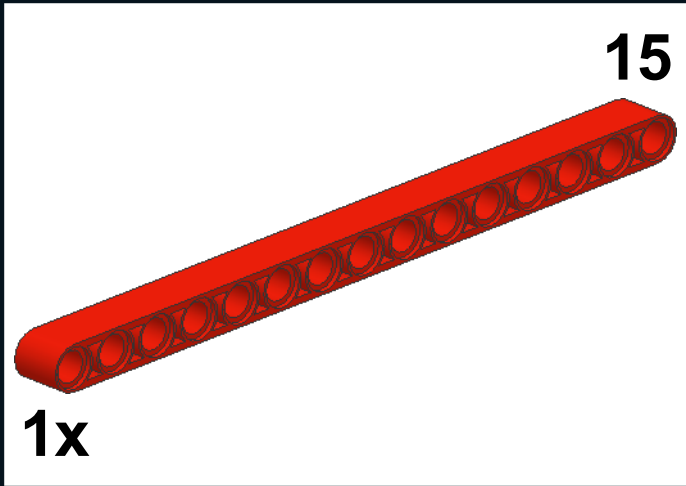
2x



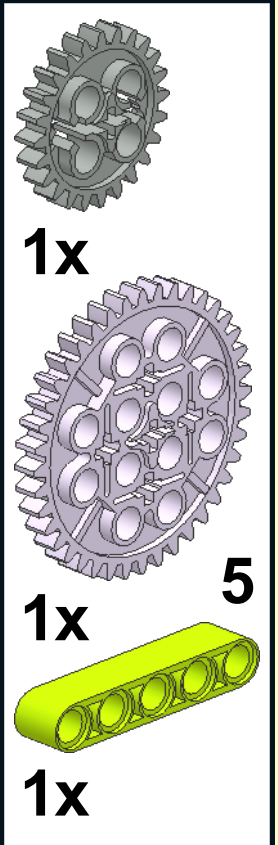
5

15

1x



6



1x

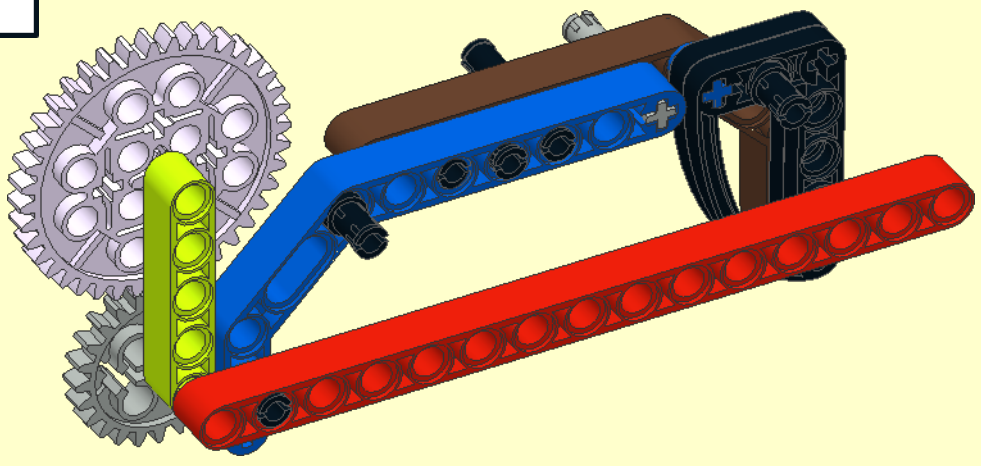
1x

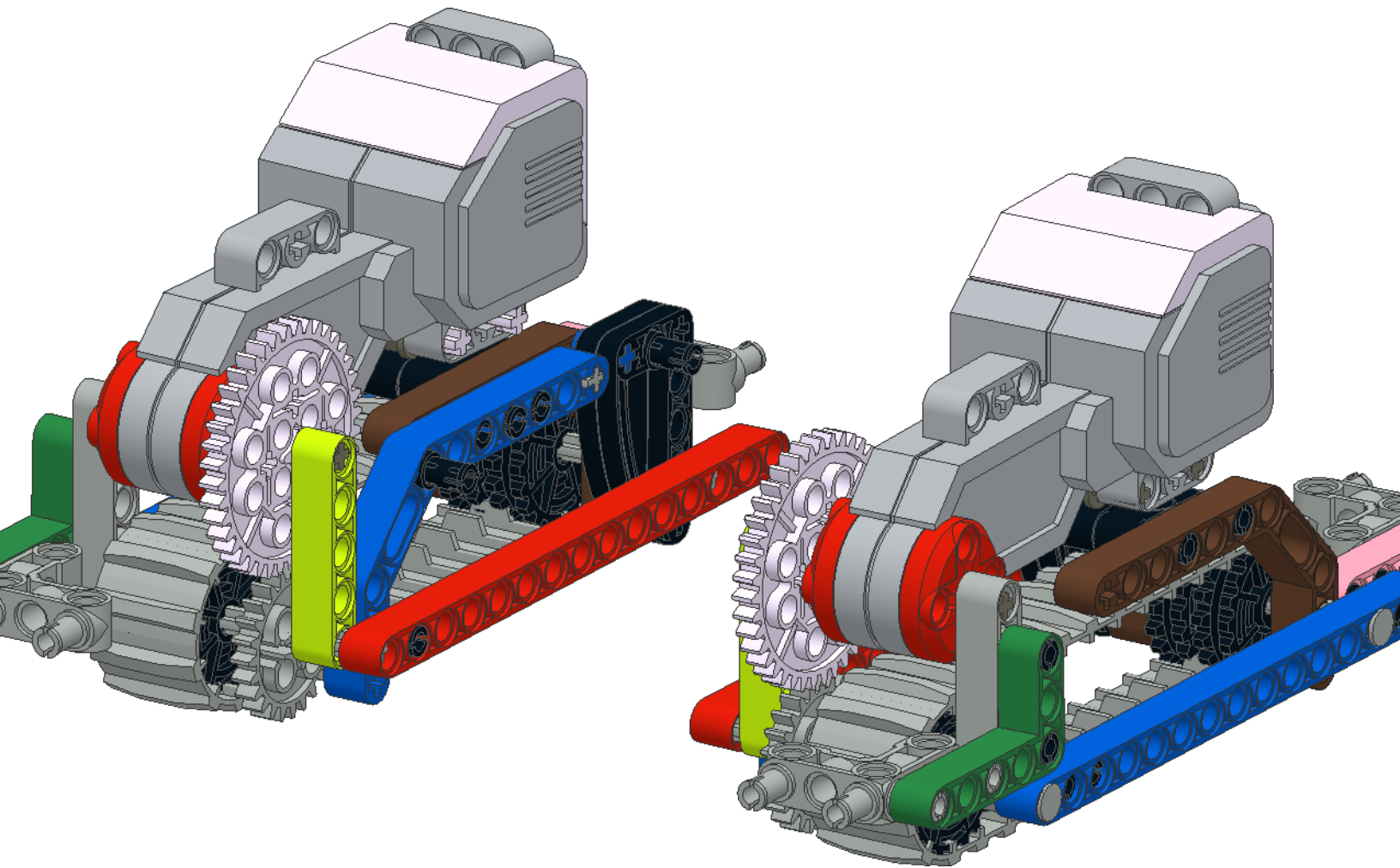
5

1x

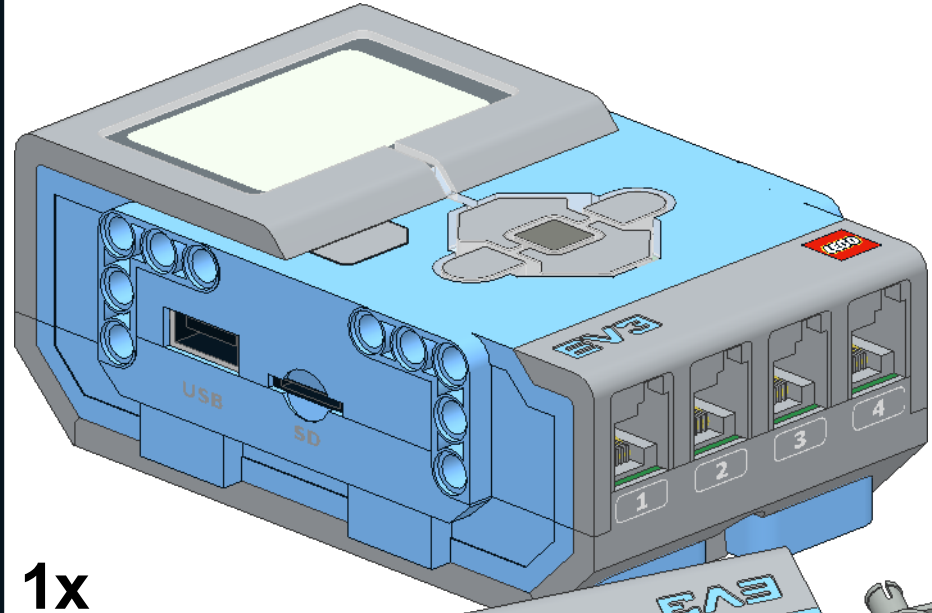
1x

This block contains a list of parts for step 6. At the top is a small grey gear with a central hole and a notch, labeled '1x'. Below it is a larger grey gear with a central hole and a notch, labeled '1x'. To the right of the larger gear is the number '5'. Below the larger gear is a yellow Technic axle of length 5, labeled '1x'. At the bottom is a red Technic axle of length 11, labeled '1x'.

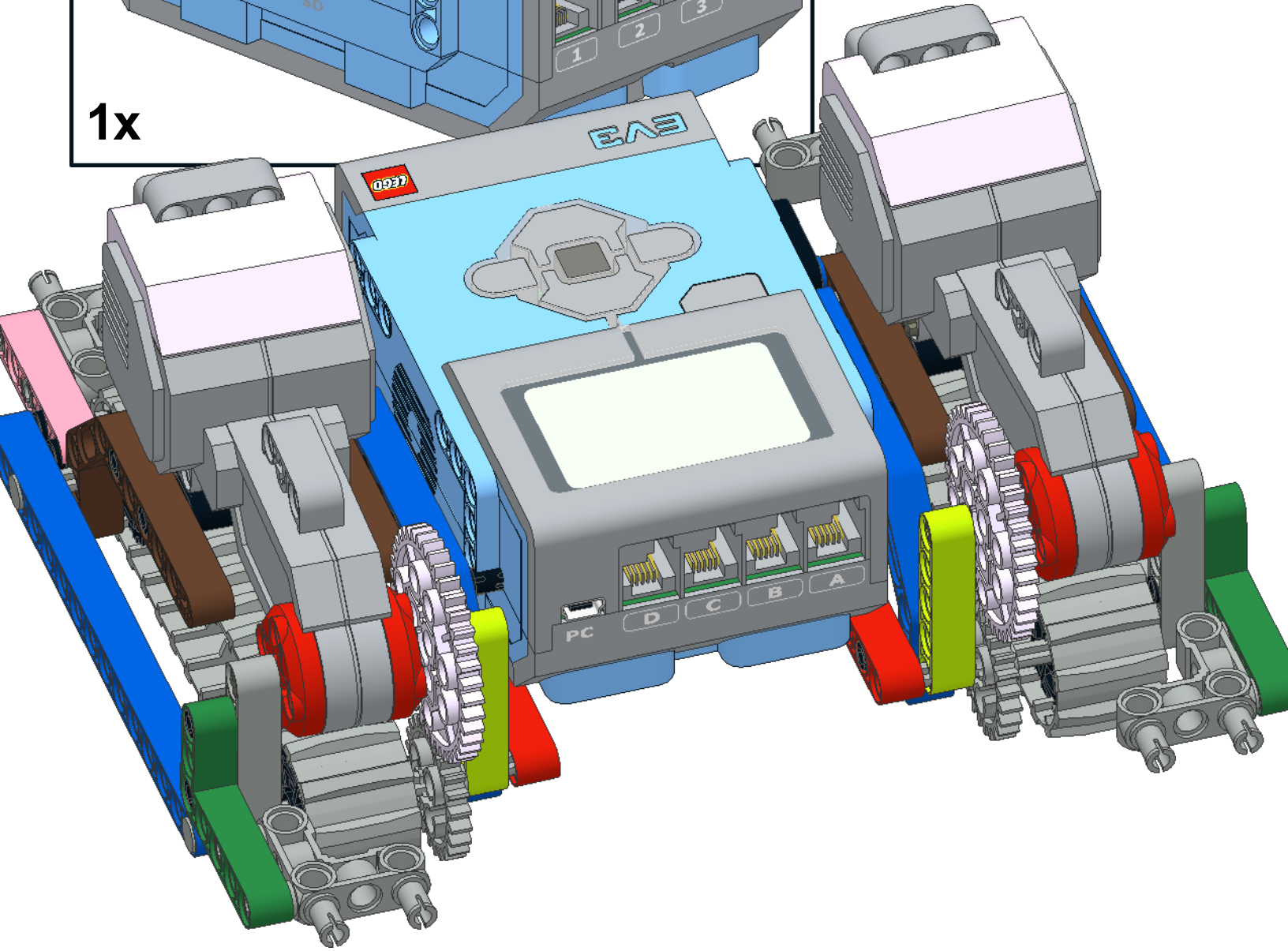




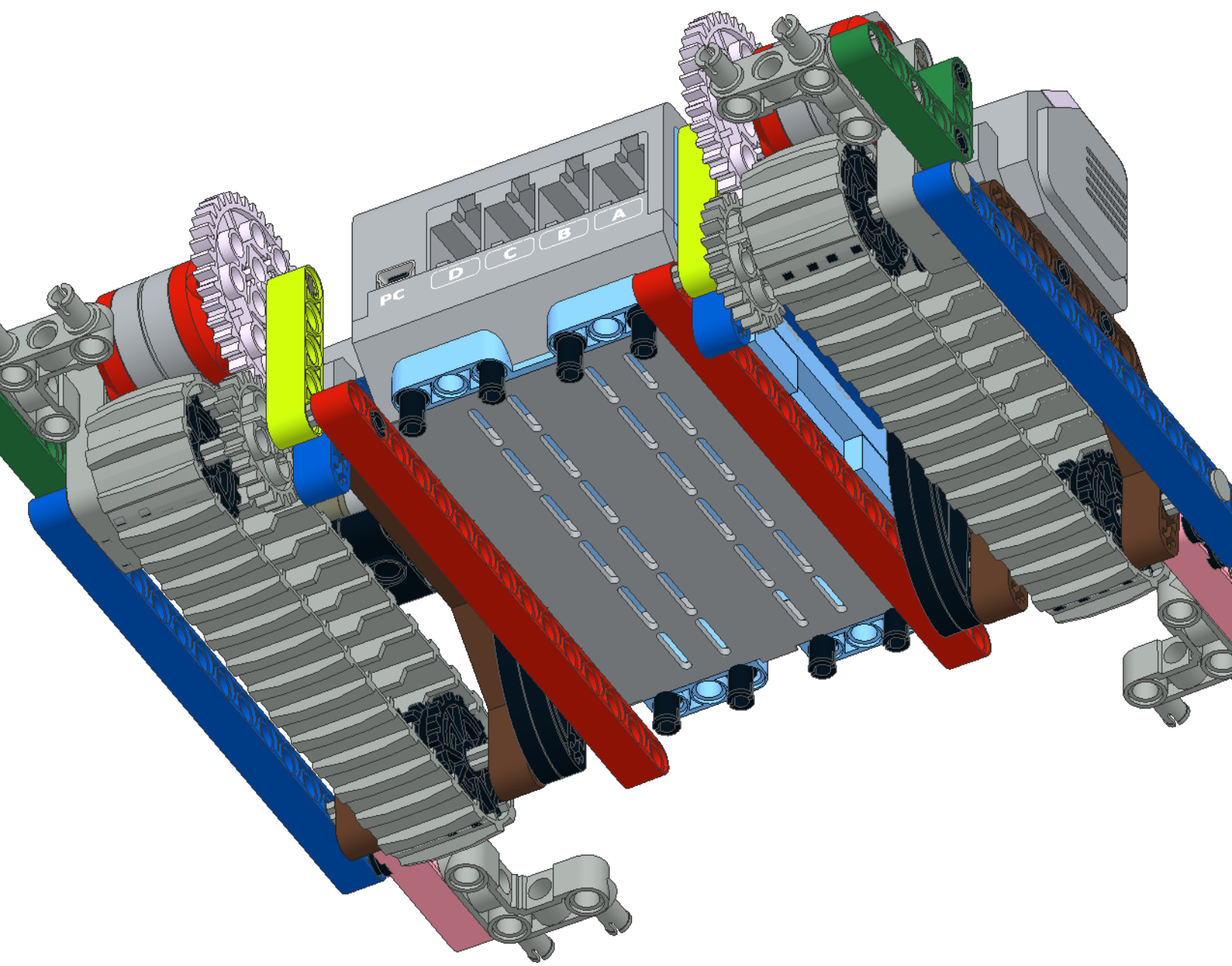
5



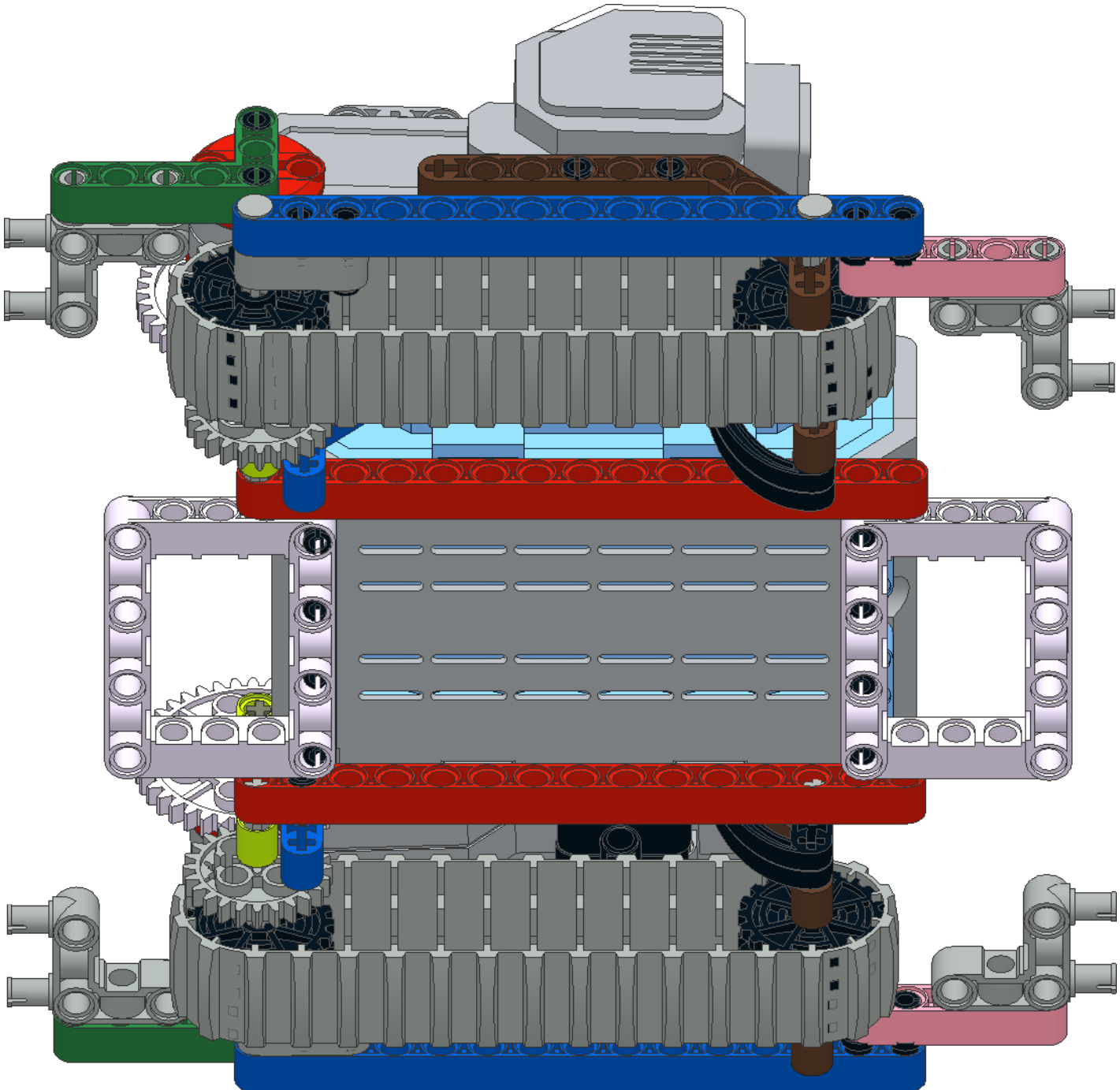
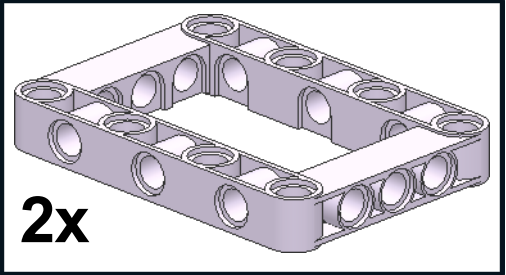
1x



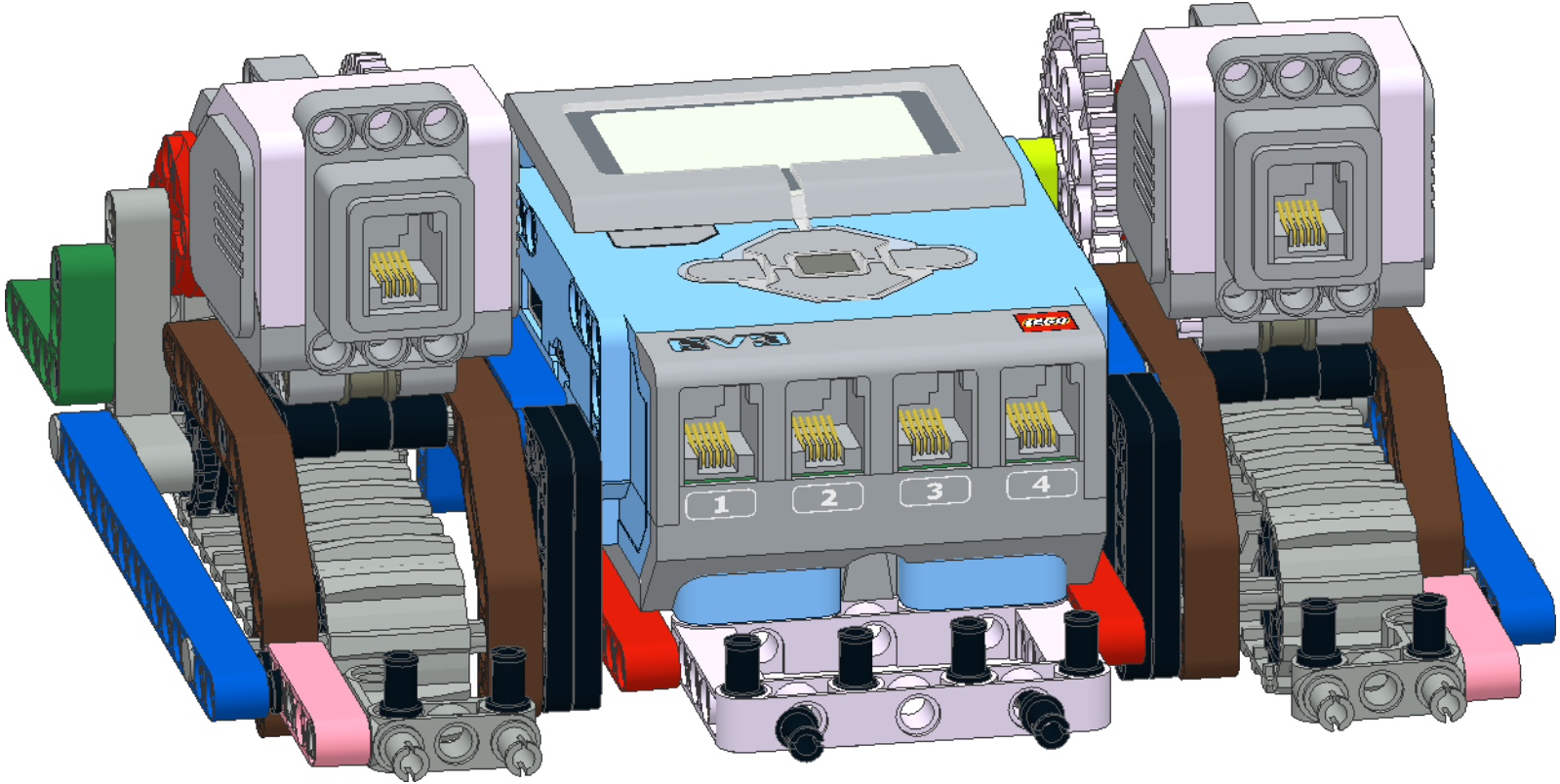
6



7

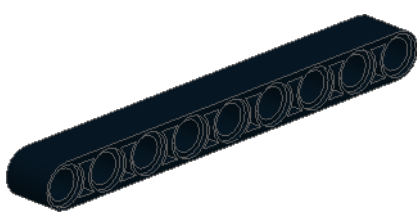


8

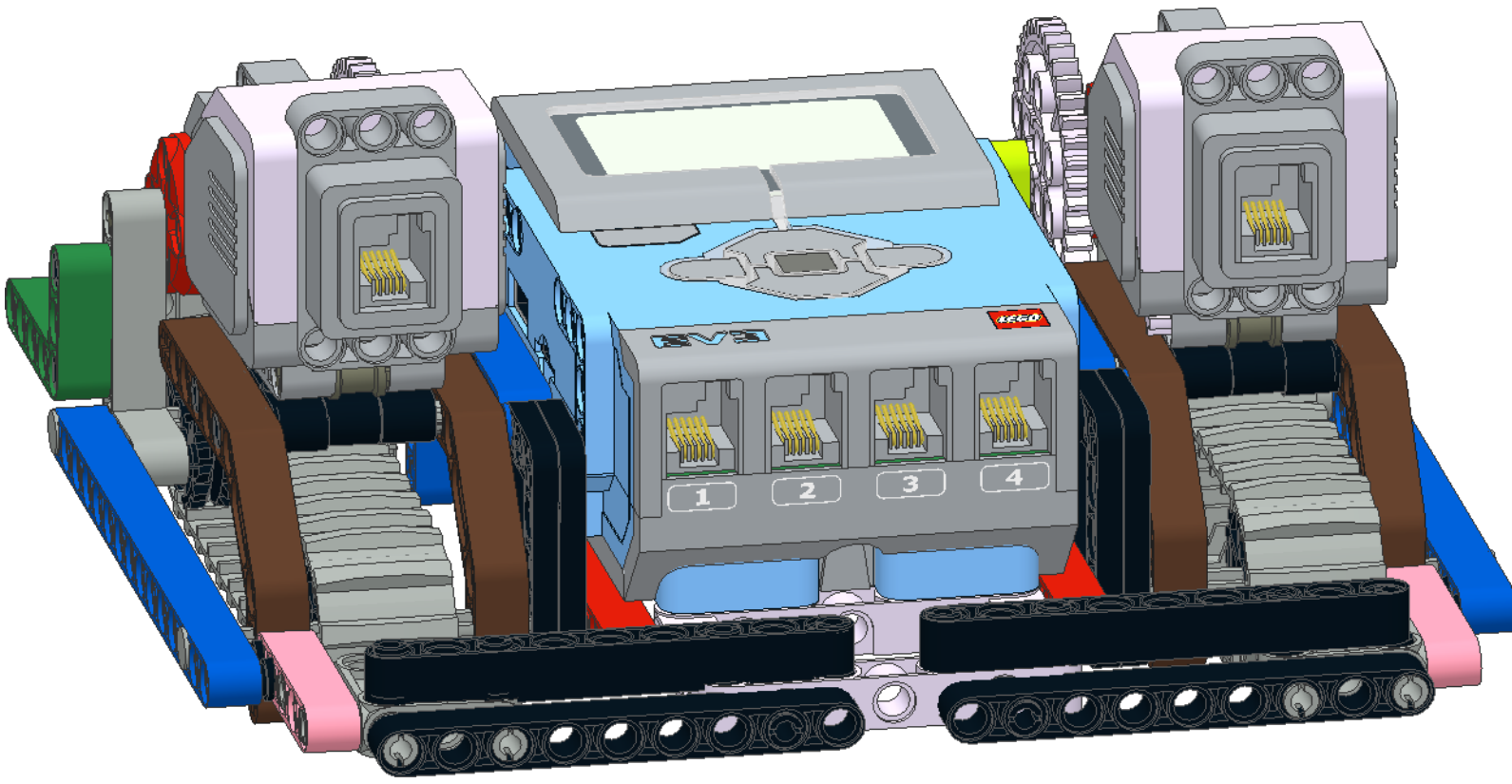


9

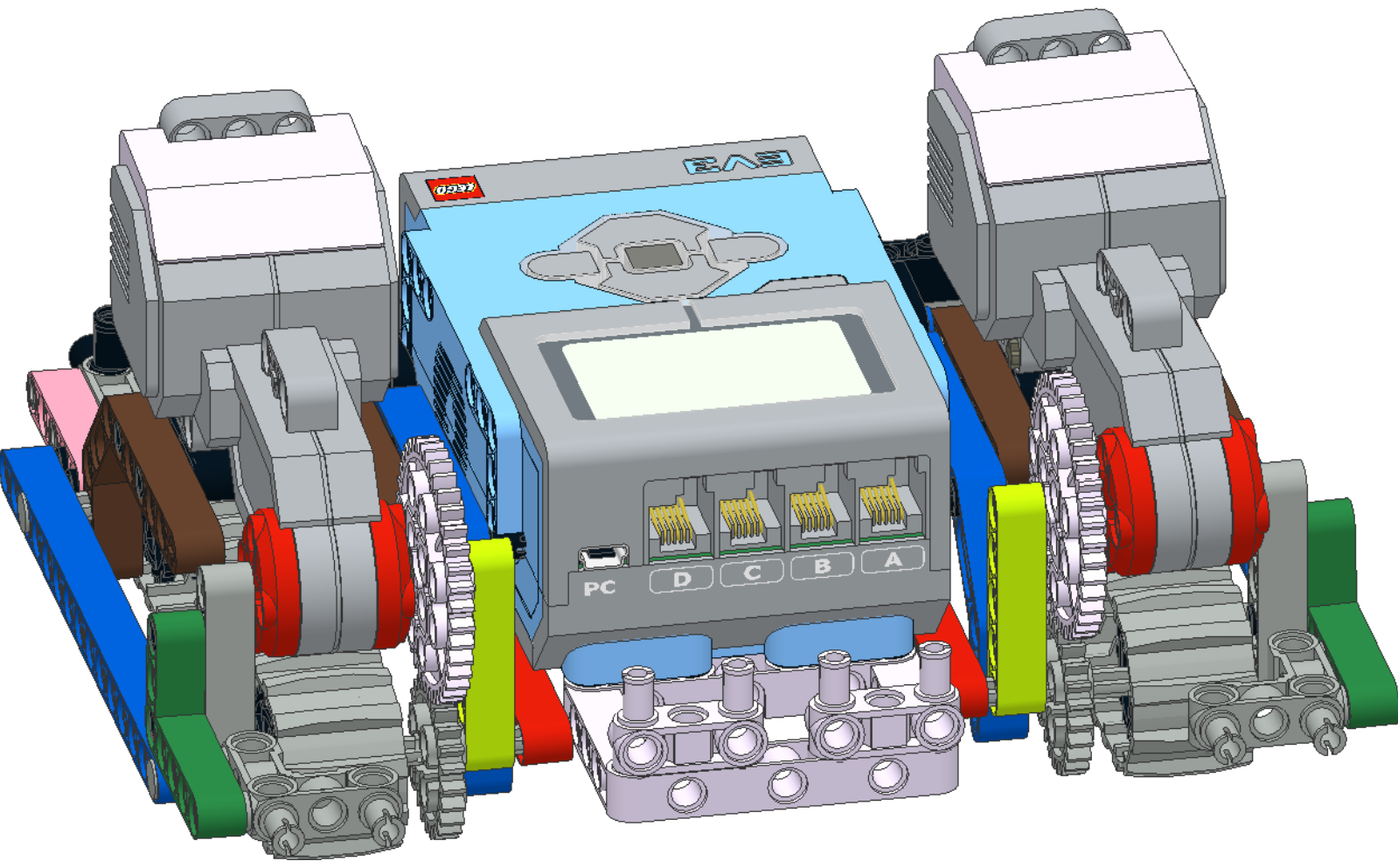
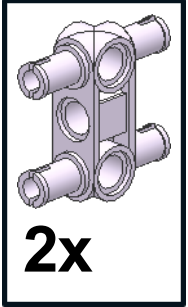
9



4x



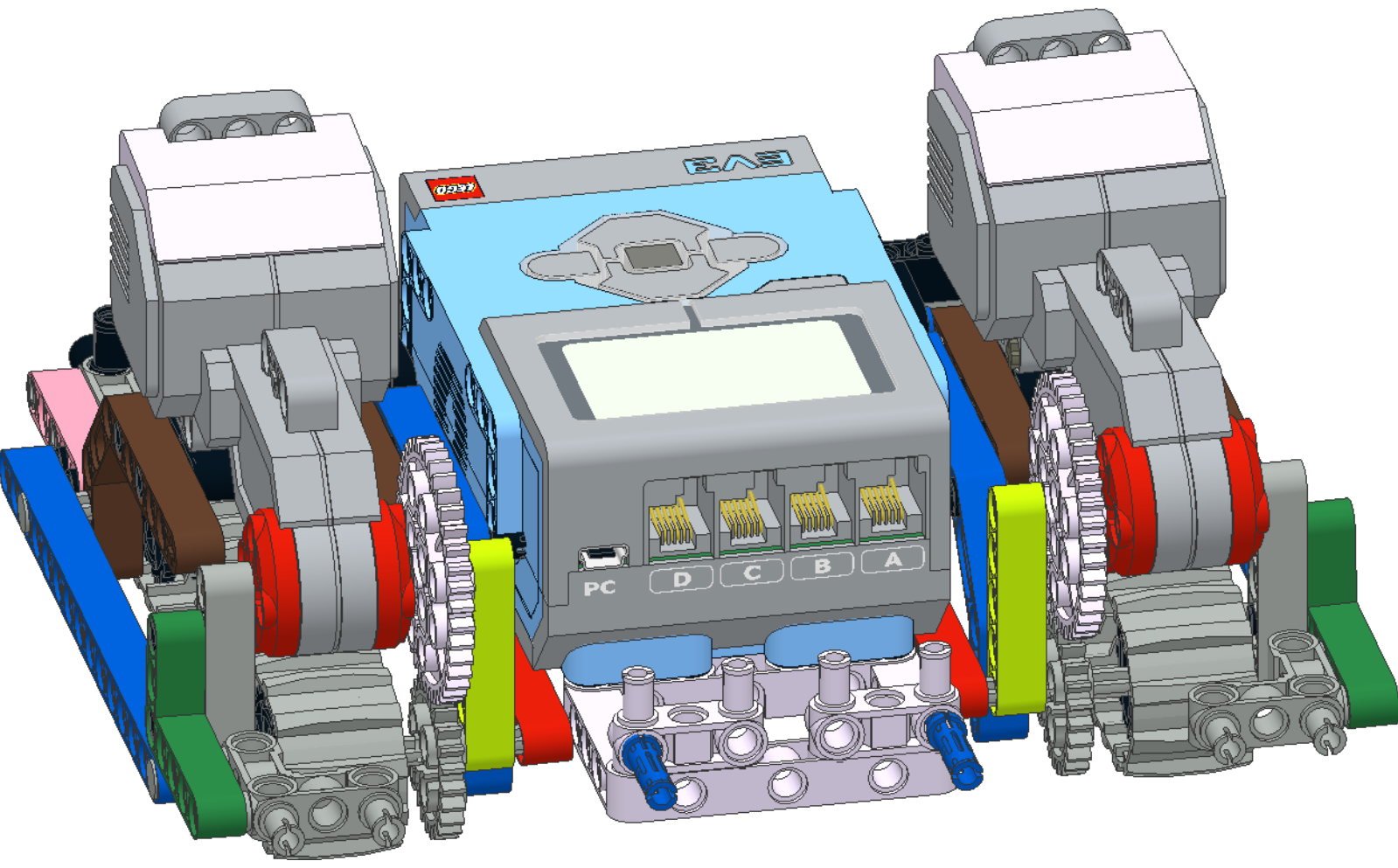
10



11

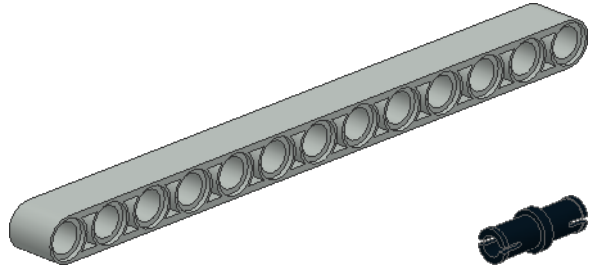


2x



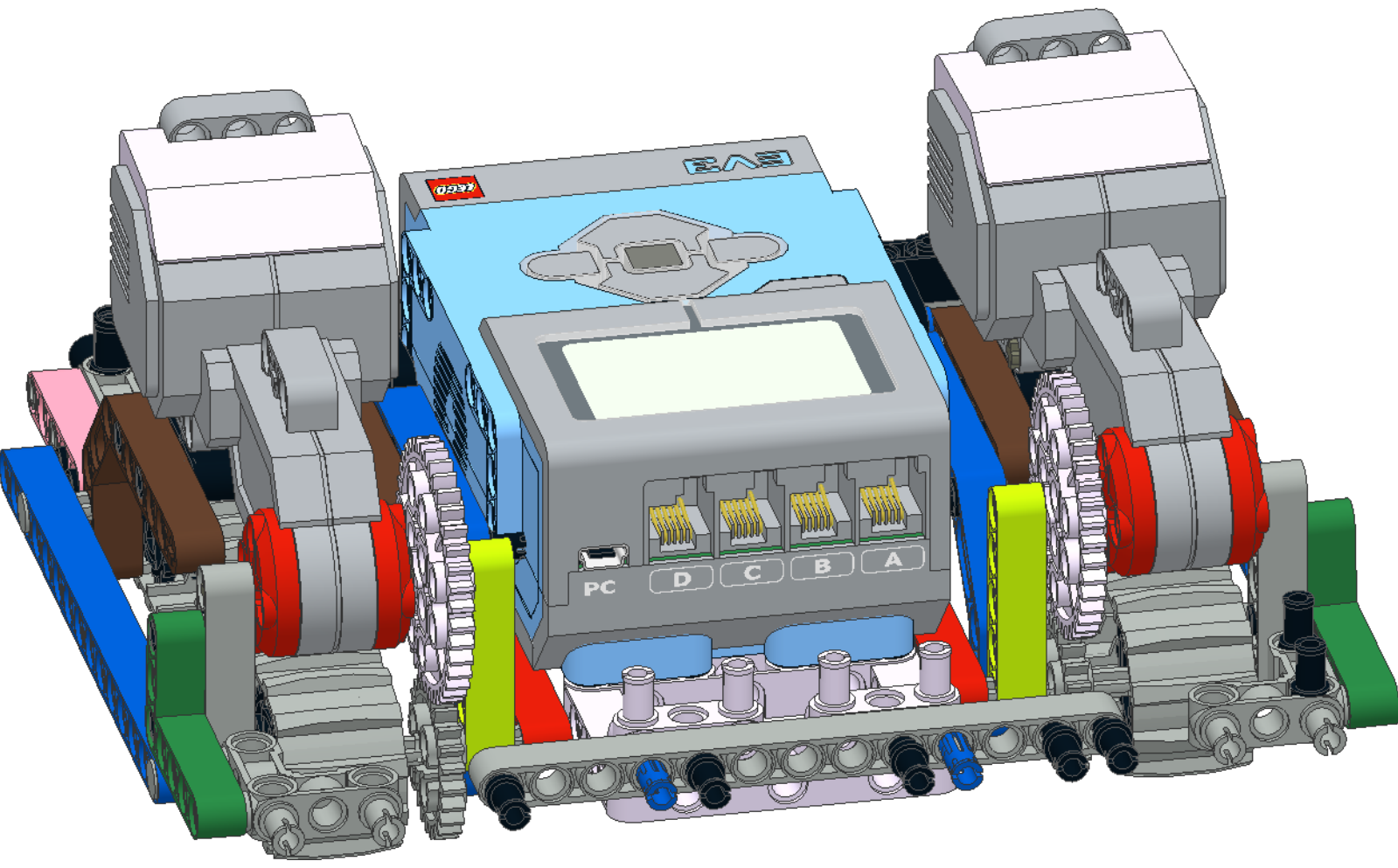
12

13

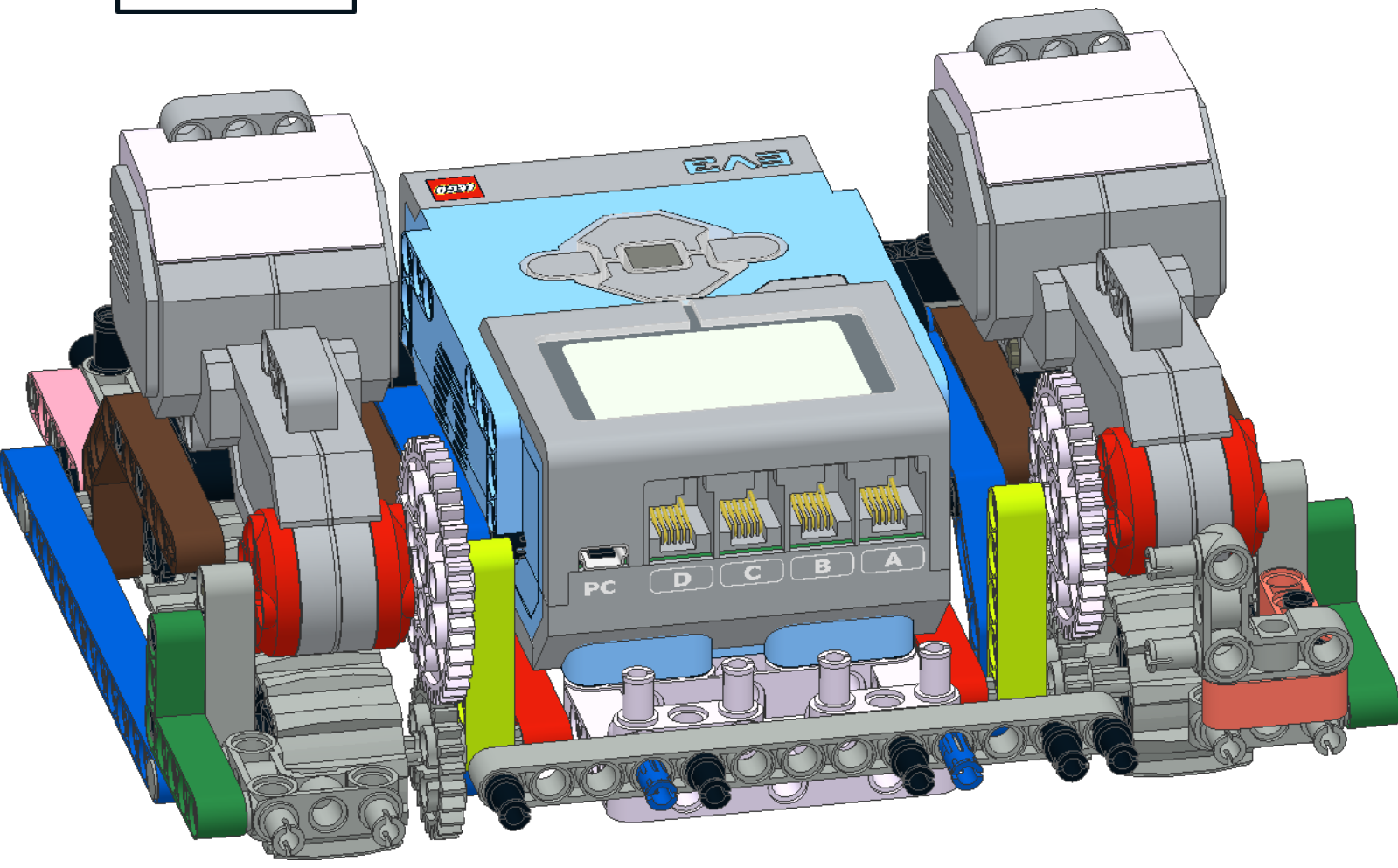
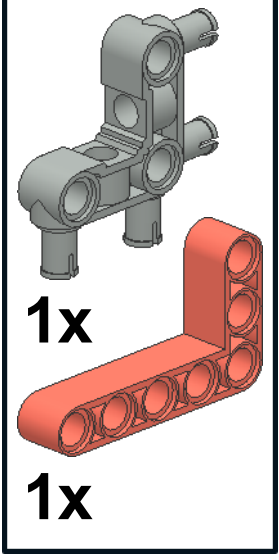


1x

7x

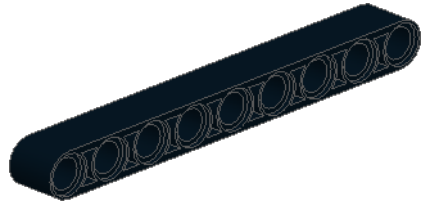


13

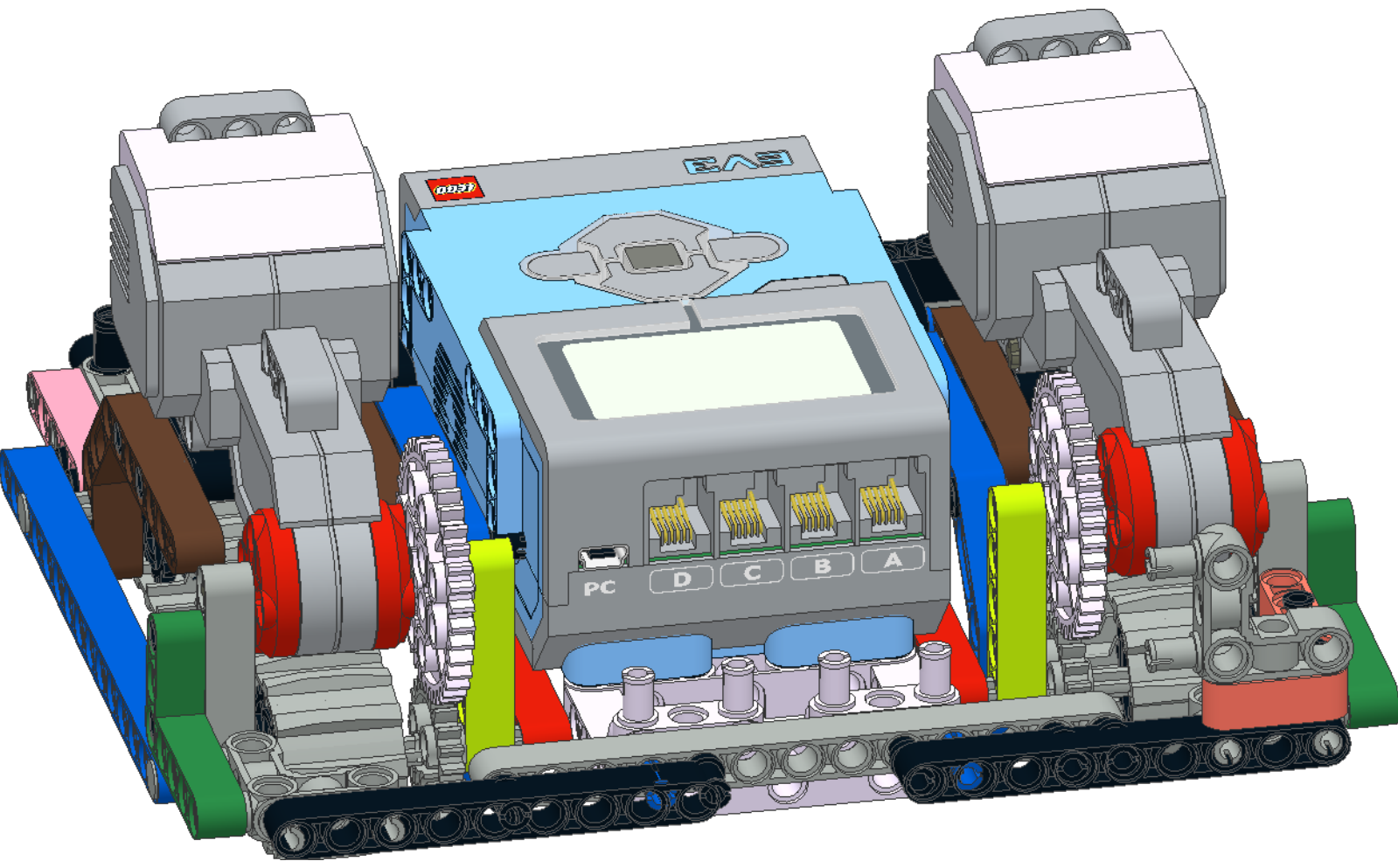


14

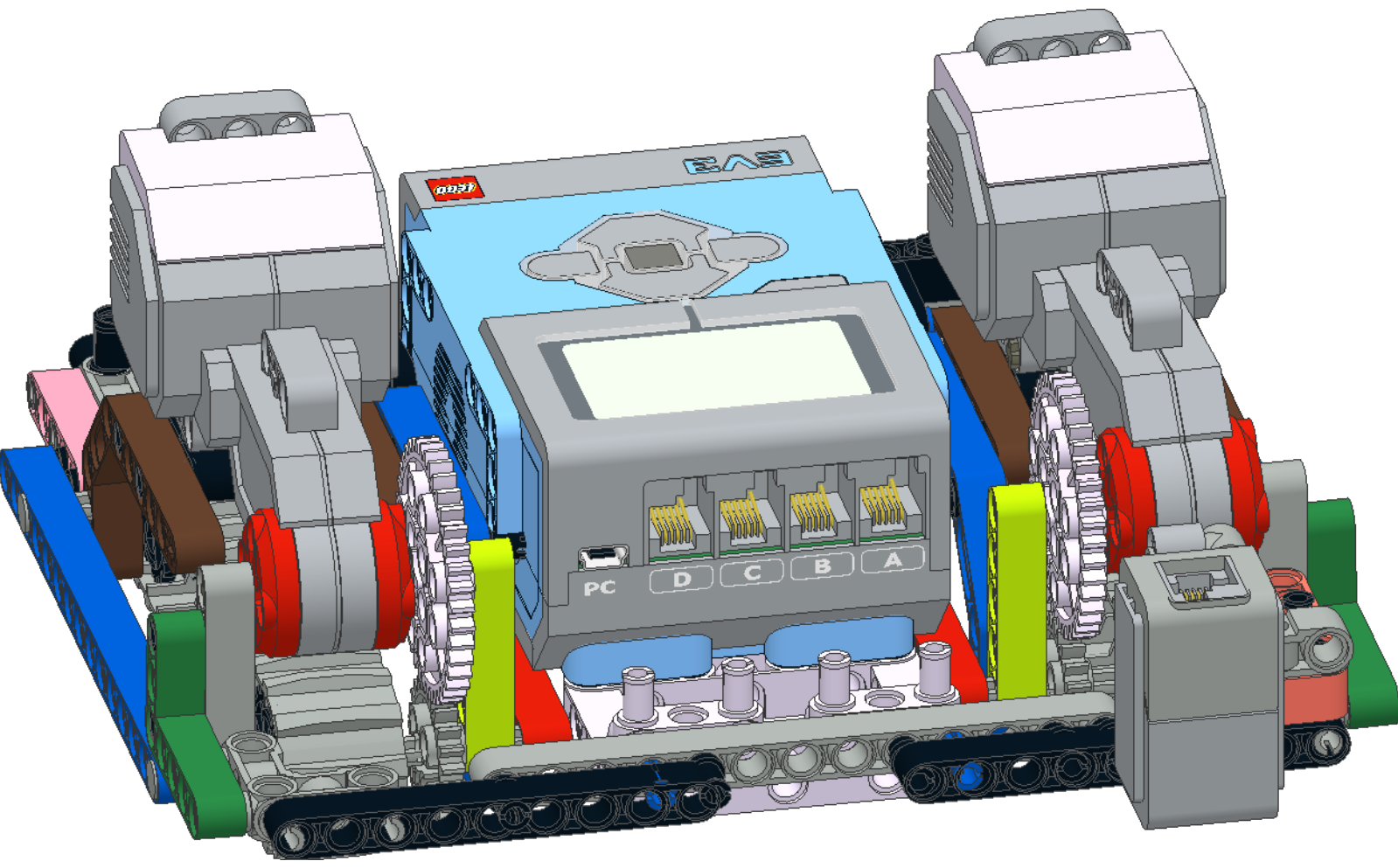
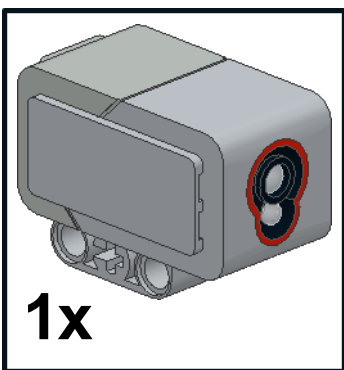
9



2x

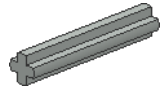


15

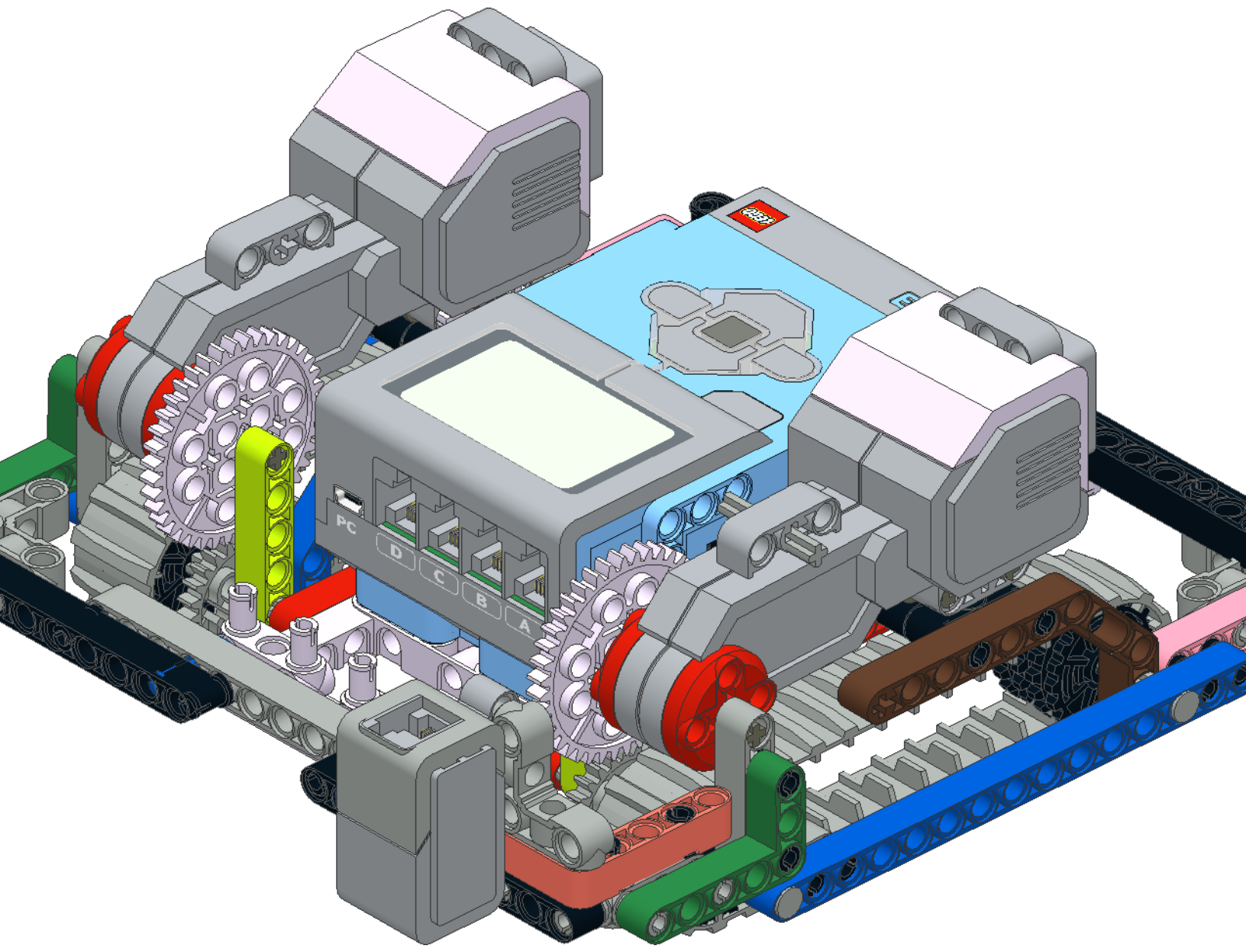


16

3



1x



17

